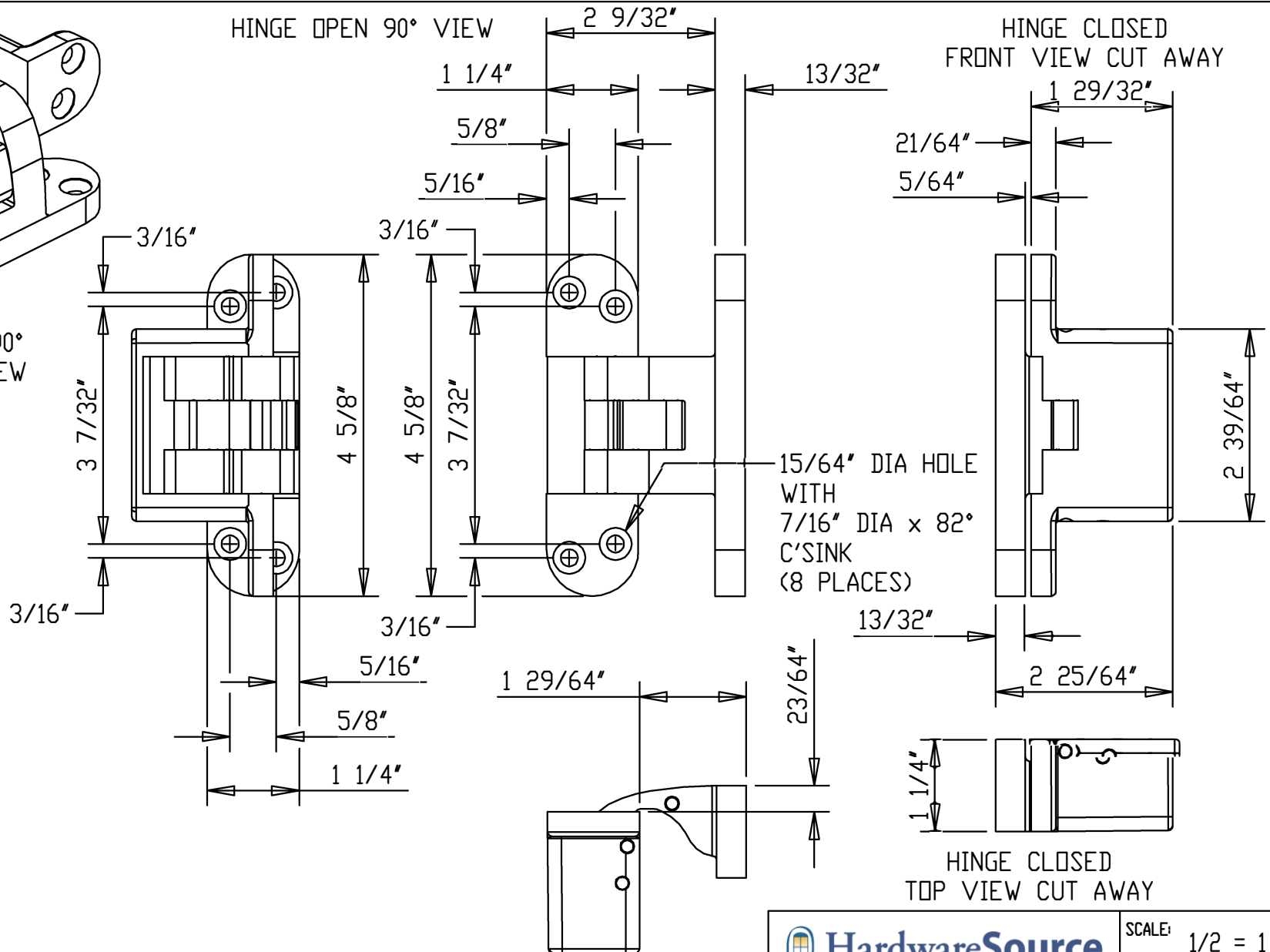


HINGE OPEN 90°
ISOMETRIC VIEW



DOOR OPEN 92° MAX
 MIN. MATERIAL THICKNESS IS 1 3/4"
 DO NOT SCALE DRAWING
 ALL DIMENSIONS ARE IN INCH
 DOOR CLEARANCE REDUCES TO 1/64" WHILE CLOSING

HINGE OPEN 180°
TOP VIEW CUT AWAY

	SCALE: 1/2 = 1
	DRAWN BY: LHH
SKU C10877	DATE: 12/23/19
HINGE TEMPLATE	DRAWING # 518
SOSS INVISIBLE HINGE 518 HINGE	