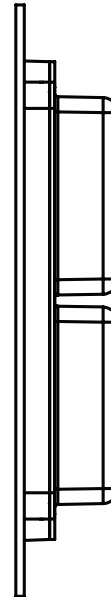
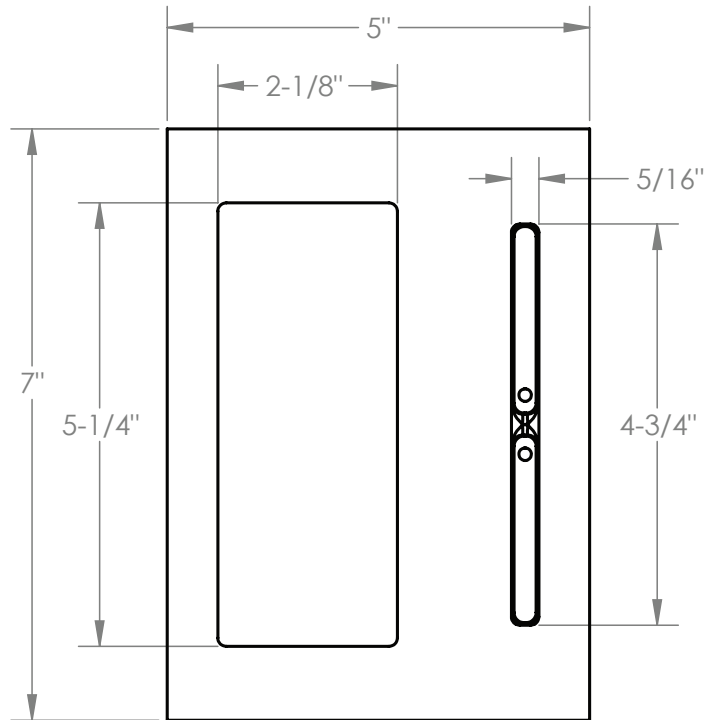
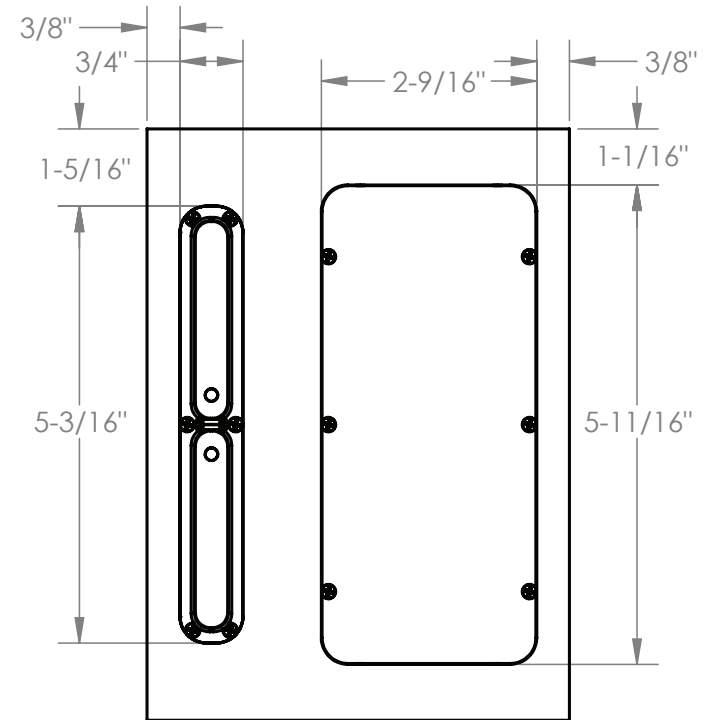


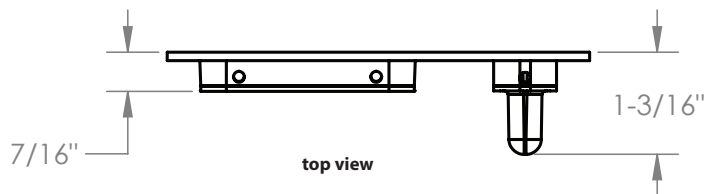
**BARN DOOR PRIVACY LOCK: SKU C10839** - FLUSH PULL WITH INTEGRATED STRIKE



side view

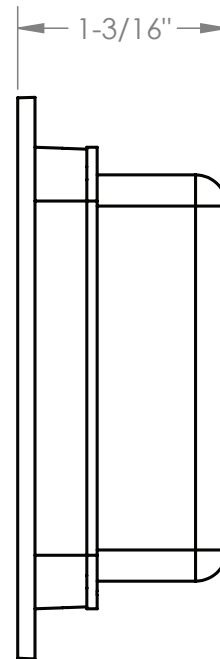
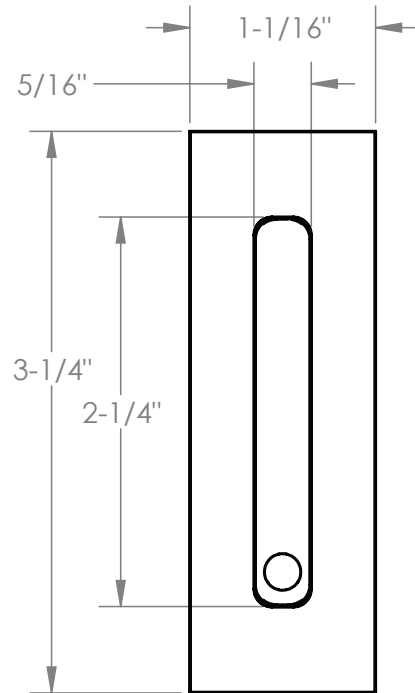


back view

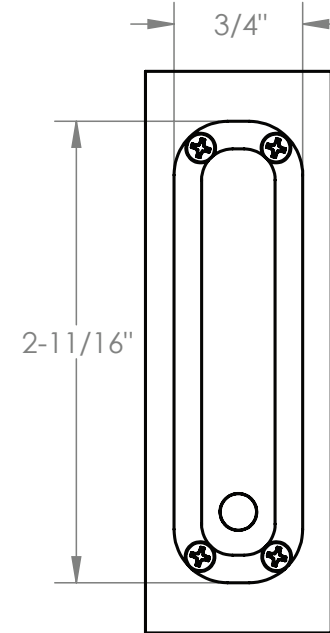


top view

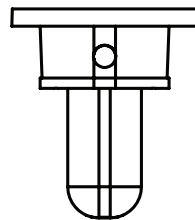
\*Note: For general info only. Not drawn to scale. Do not use as a drilling template.



side view

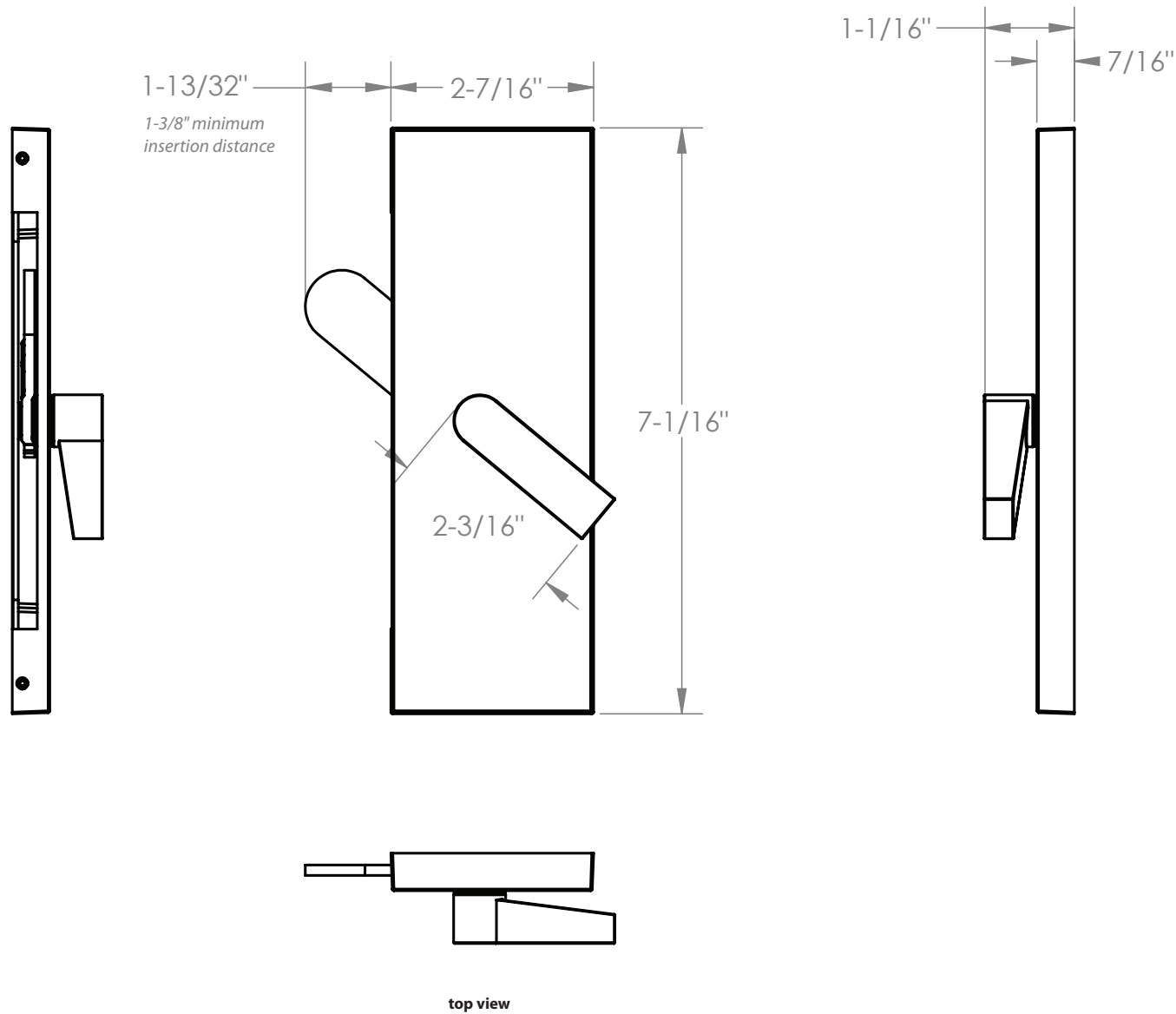


back view



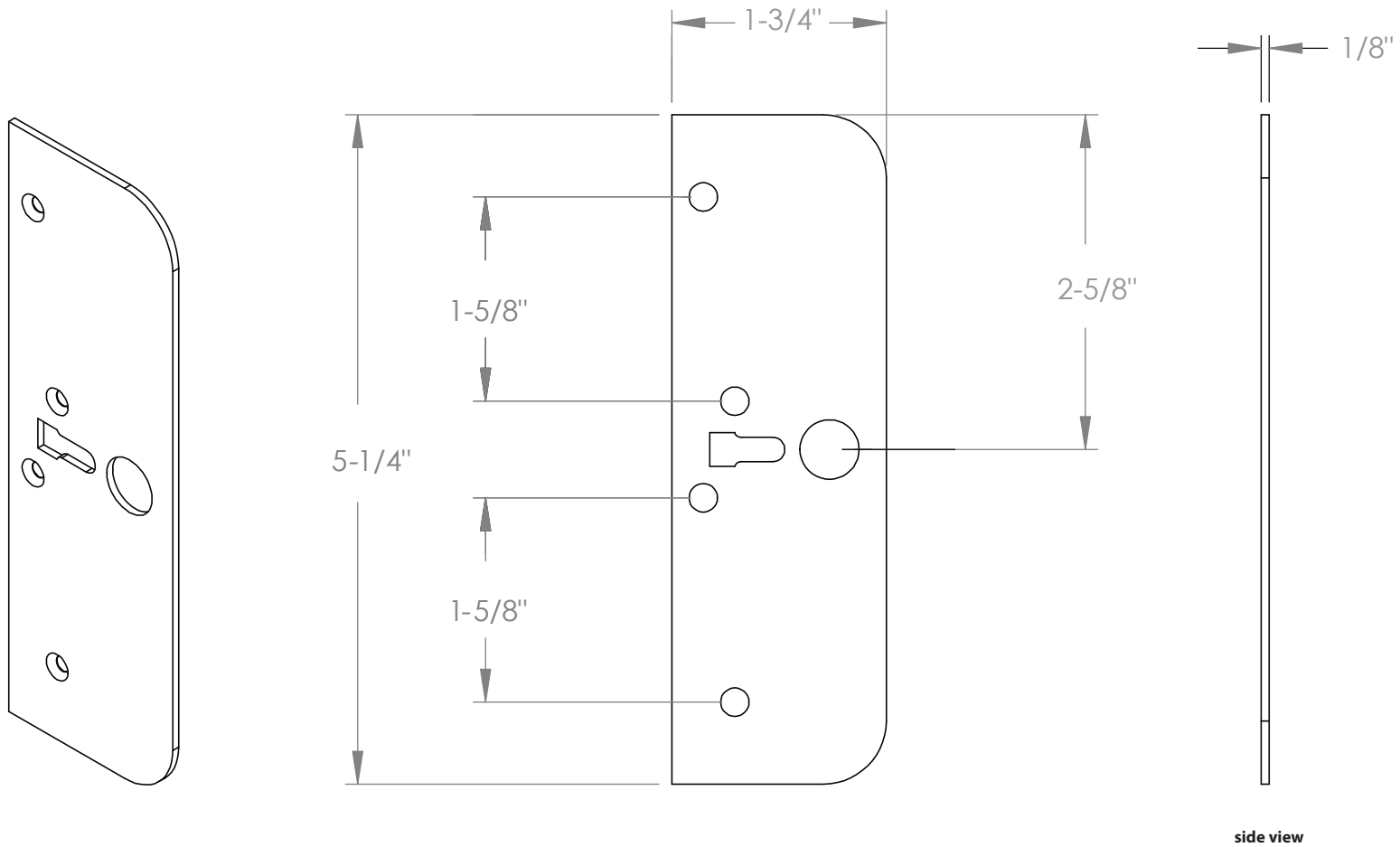
top view

\*Note: For general info only. Not drawn to scale. Do not use as a drilling template.



\*Note: For general info only. Not drawn to scale. Do not use as a drilling template.

**BARN DOOR PRIVACY LOCK: SKU C10839** - SURFACE MOUNT BOLT BASE

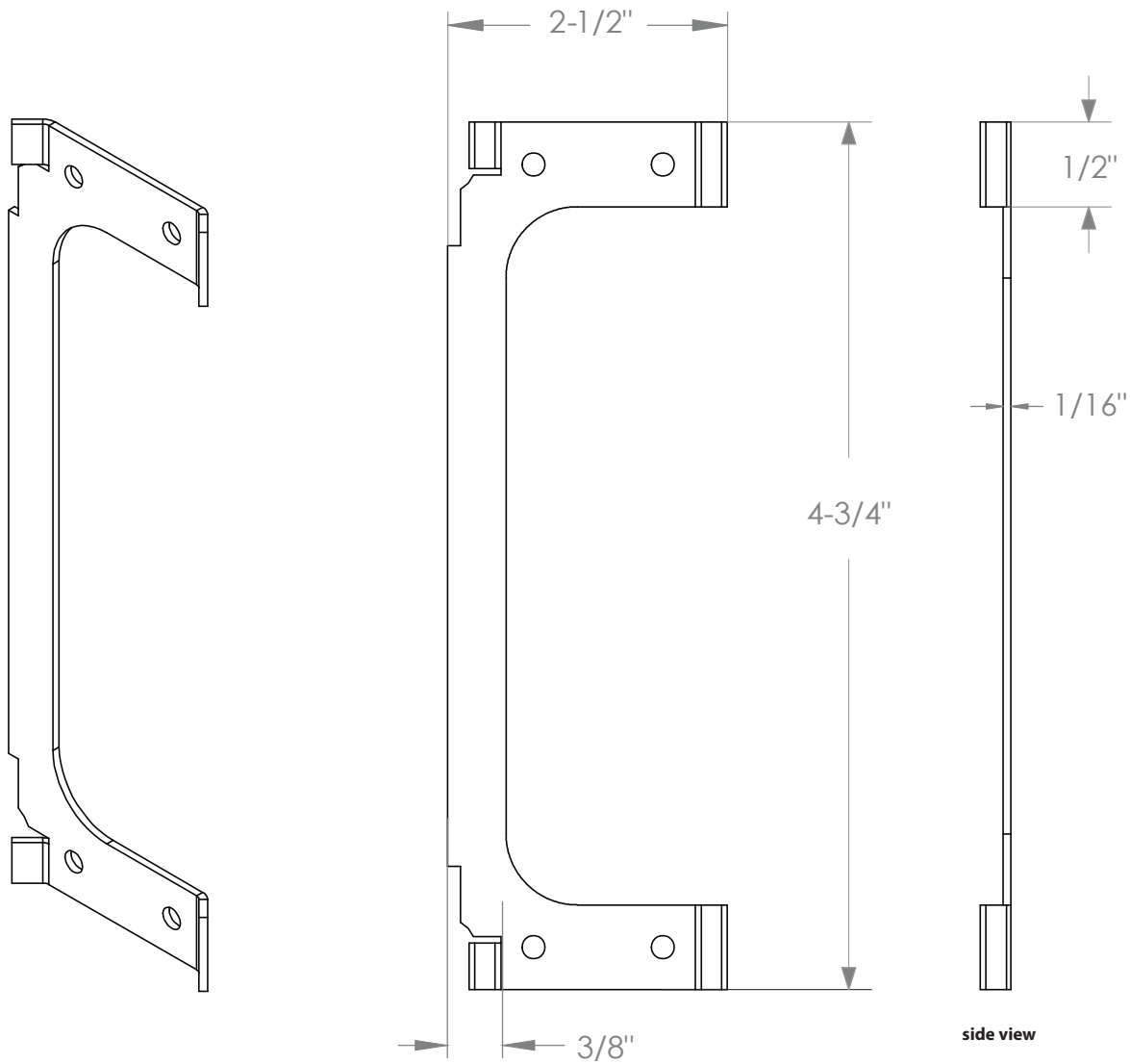


\*Note: For general info only. Not drawn to scale. Do not use as a drilling template.

BARN DOOR PRIVACY LOCK: SKU C10839 - SURFACE MOUNT BOLT BRACKET

1 (858) 322-6353

[www.HardwareSource.com](http://www.HardwareSource.com)



\*Note: For general info only. Not drawn to scale. Do not use as a drilling template.