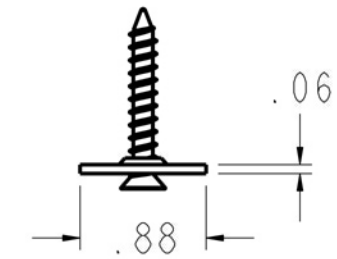
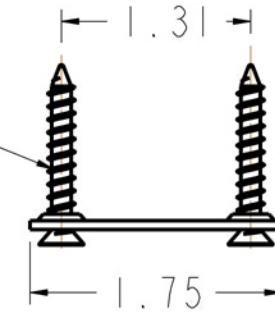
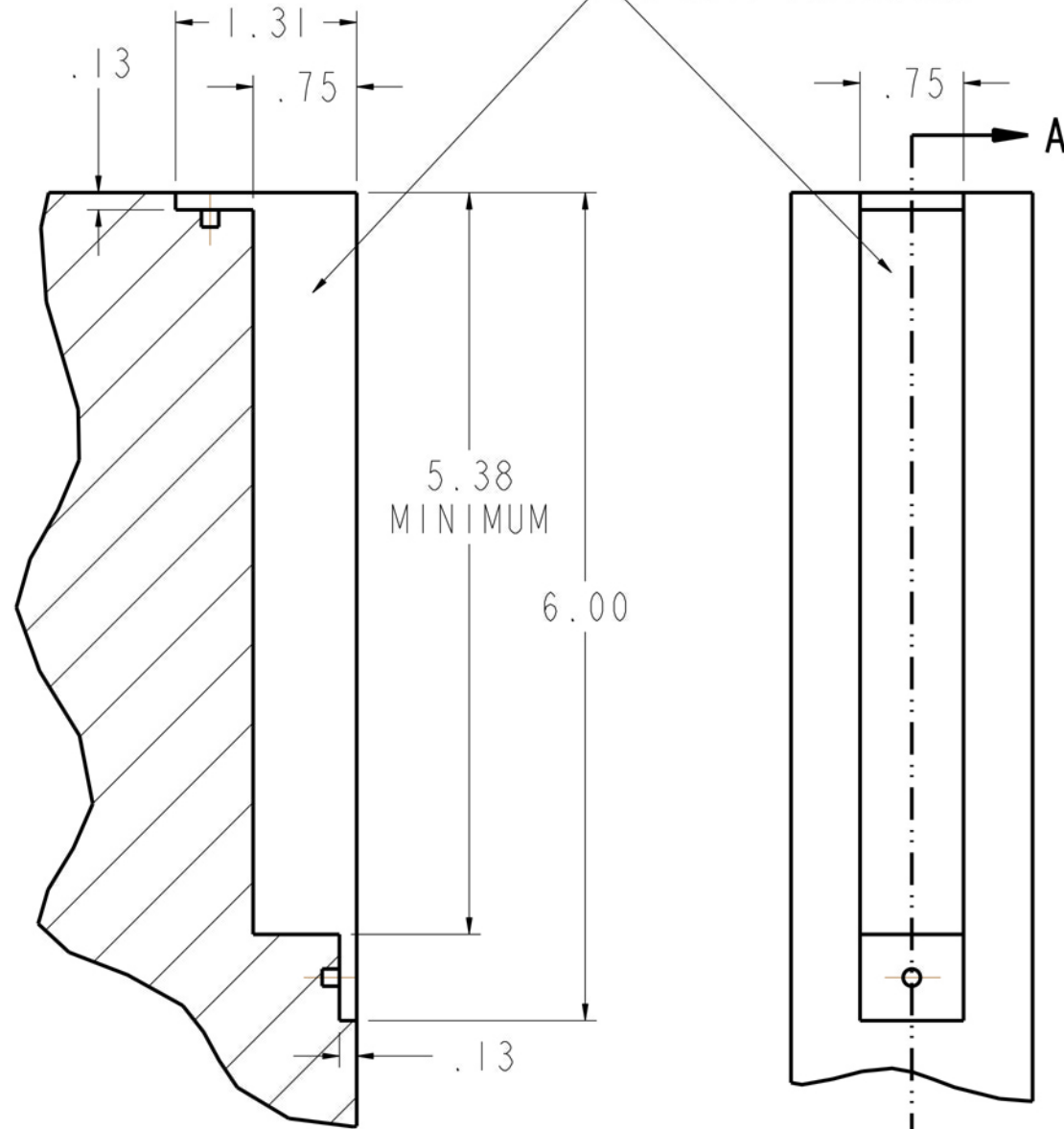


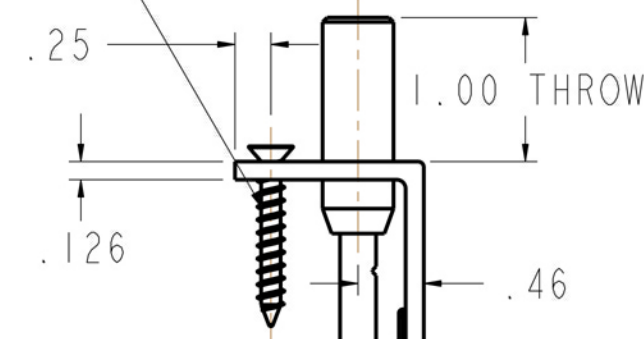
NO. 6 X .75"  
FL PH SCREW



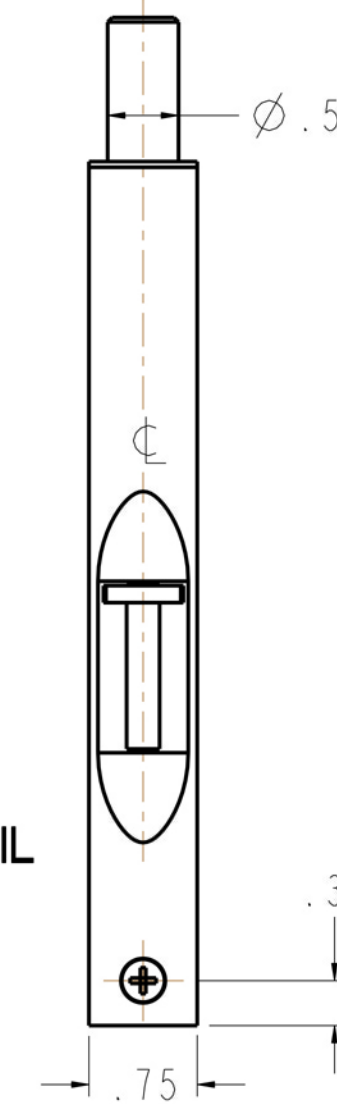
REMOVE MATERIAL



DOOR DETAIL



BOLT DETAIL



NO. 6 X .75"  
FL PH SCREW



EFFECTIVE: 10/25/2007



- SKU 979892 Venetian Bronze (112)
- SKU 979893 Satin Nickel (150)
- SKU 979890 Polished Brass (030)

<b>B</b>	<b>BALDWIN</b> HARDWARE CORPORATION READING, PENNSYLVANIA	<b>BLACK &amp; DECKER</b> COMPANY
----------	---	--------------------------------------

**0626 FLUSH BOLT**

TEMPLATE: NO VARIATIONS

TEMPLATE NO.

DO NOT SCALE DRAWING

©2006 BY BALDWIN HARDWARE CORPORATION

**A626**