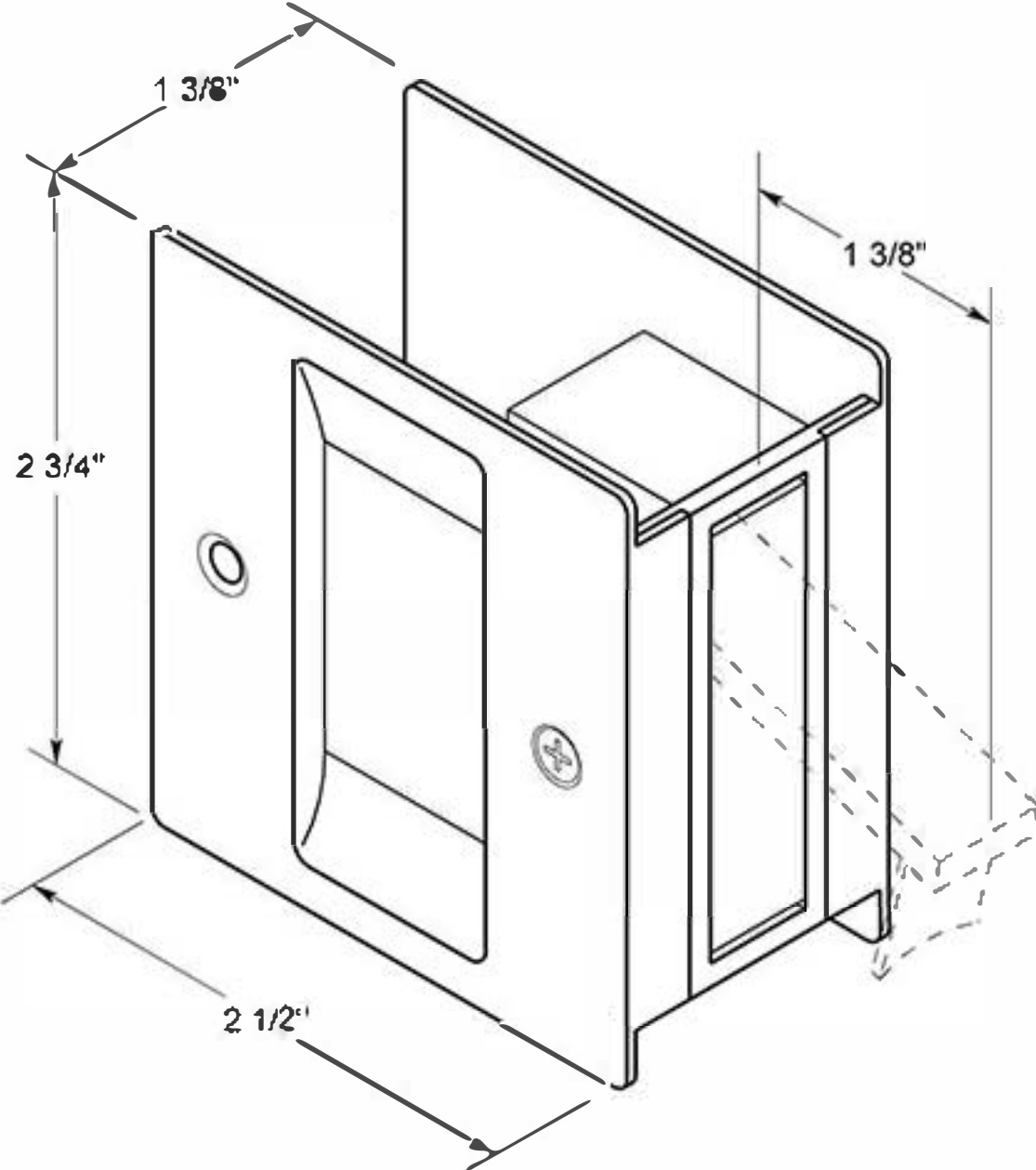


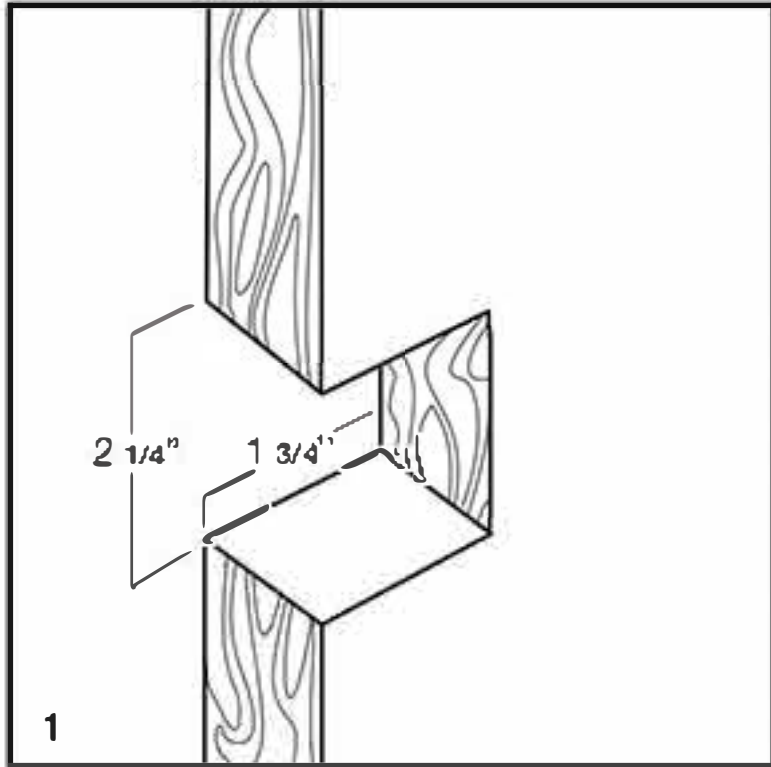
2-1/2" x 2-3/4" POCKET LOCK / PASSAGE / SOLID BRASS



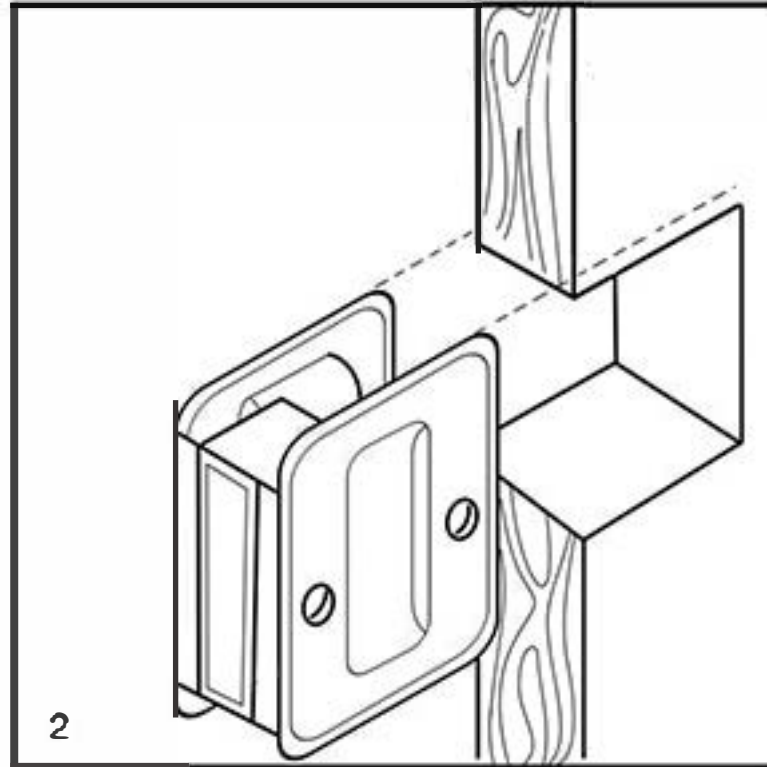
DRAWING NOT TO SCALE

NOTE: Delta reserves the right to constantly improve its products and is not responsible for differences between the product in-hand and the specifications contained in this drawing. We do not recommend to pre-drill holes or pre-cut woods or metals based on the drawing information if the veracity of the specifications has not been proven by the live product.

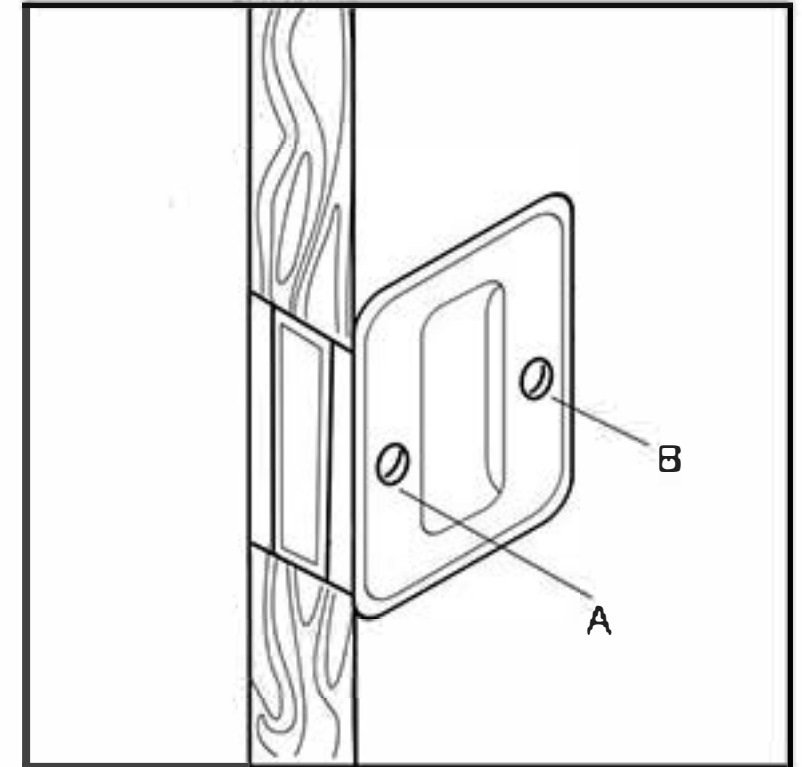
**INSTALLATION INSTRUCTIONS / Fits Door Thickness: 1 3/8"**



1 Cut one simple notch in door.

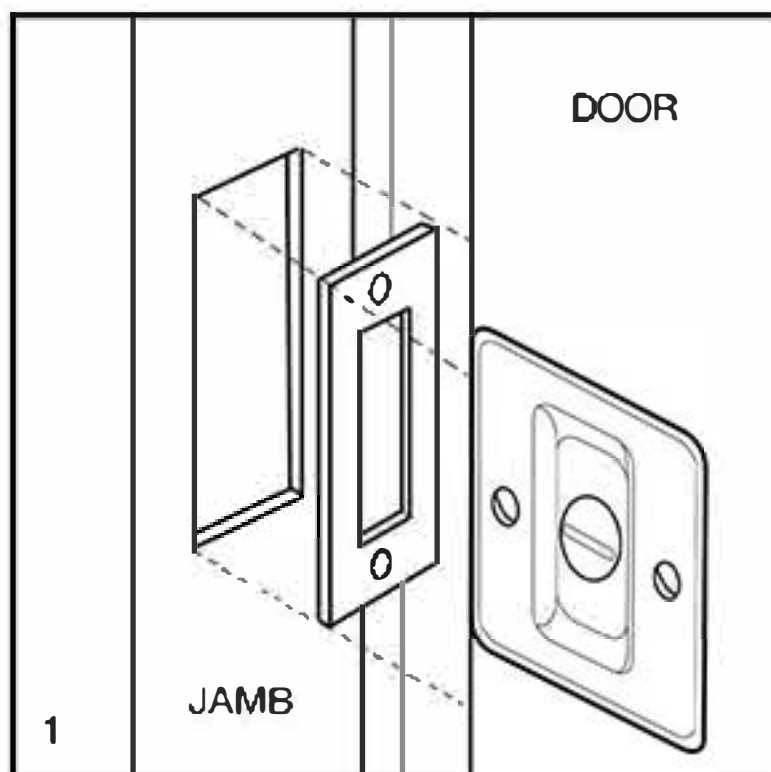


2 Slip pull into position as shown.

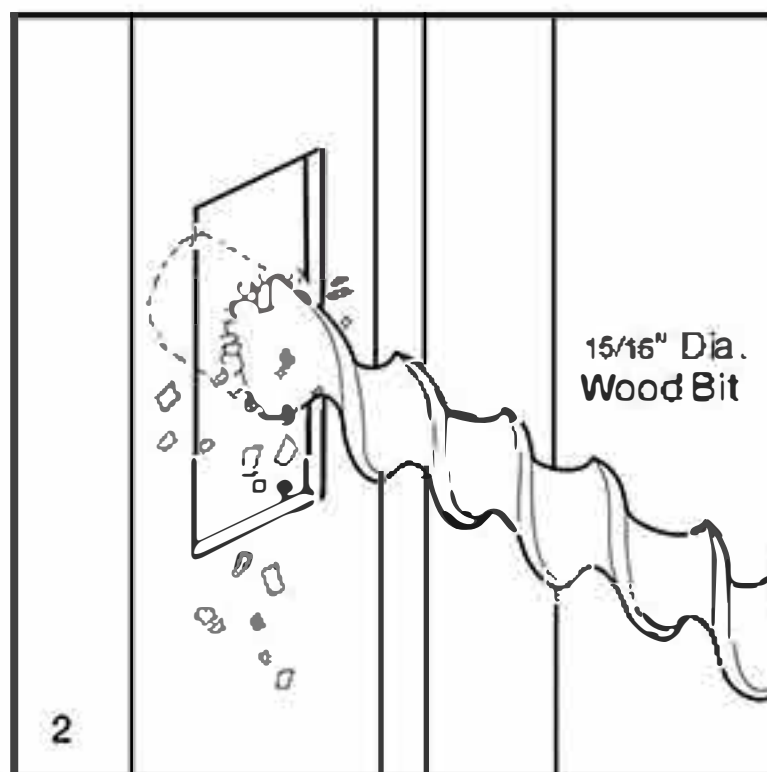


(A) Fasten machine screw which tightens and automatically aligns pull.  
(B) Insert wood screw and tighten.

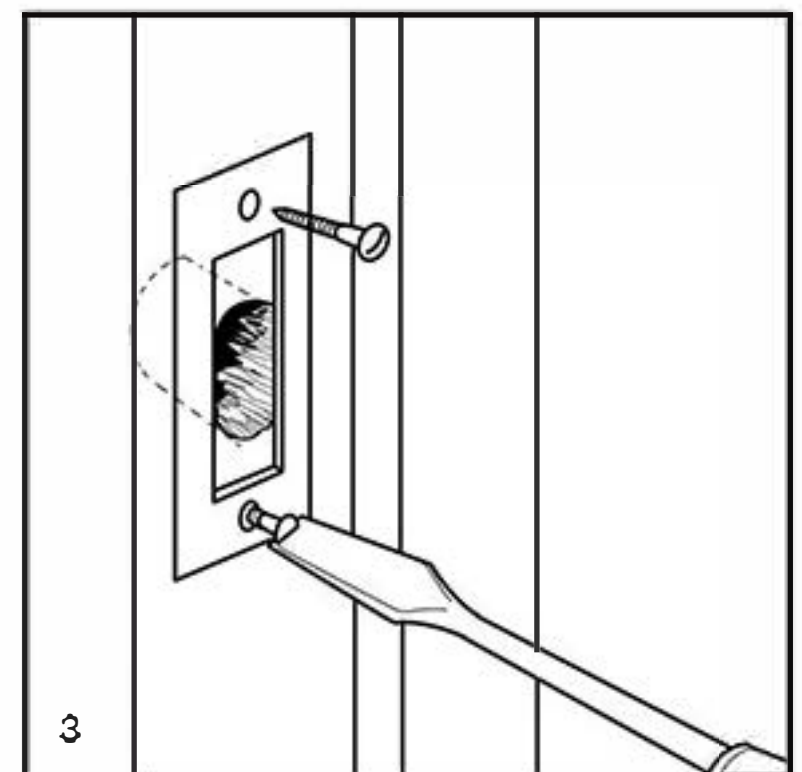
**INSTALLATION OF STRIKE PLATE FOR LOCKING SET ONLY**



1 Mark and mortise strike on jamb to correspond to lock position on door 1" x 2 1/4" x 1/16" deep.

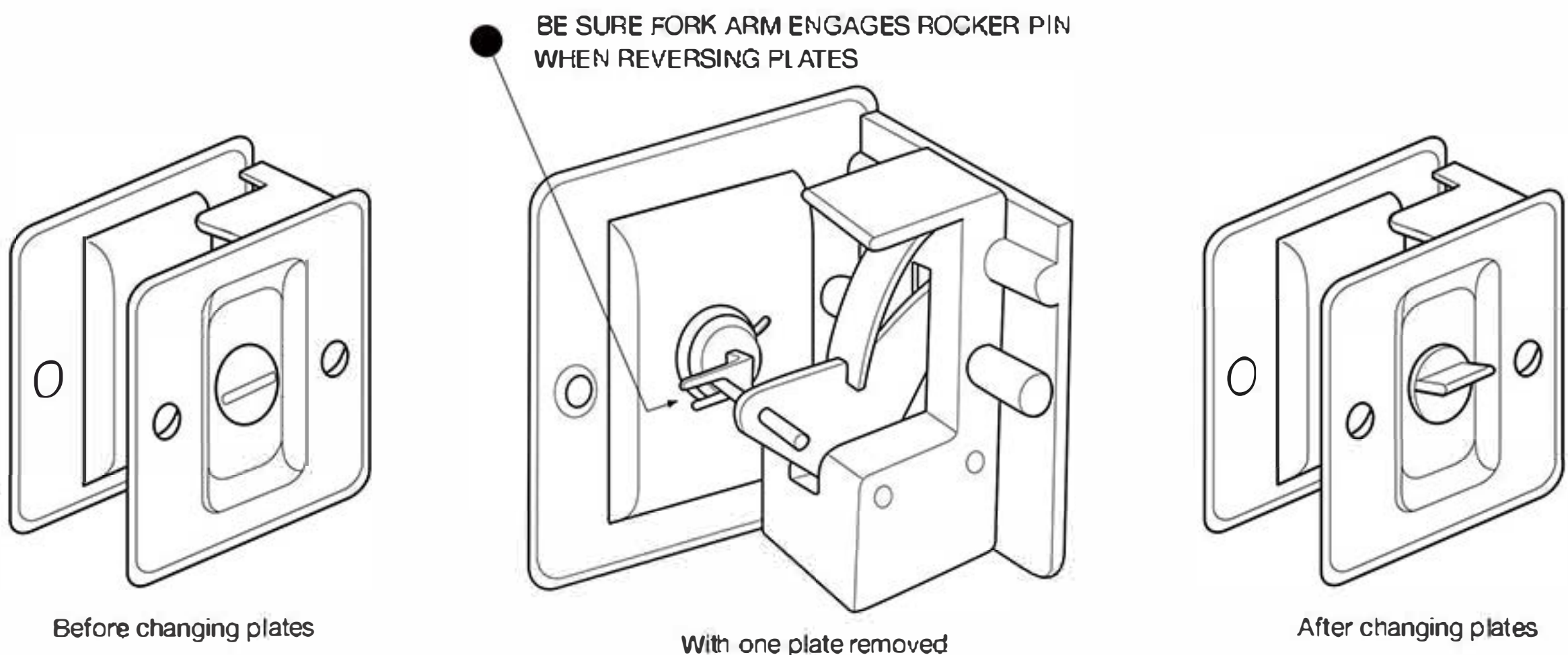


2 Drill 15/16" diameter hole 1/2" deep in center of mortise.



3 Screw strike plate into position using #6 x 5/8" long flat head wood screws.

**TO ASSEMBLE AFTER REVERSING PLATES**



When it is desirable to reverse outside plates on lock assembly, first remove machine screw on each side-change plates from side to side (making sure that fork arm engages rocker pin) and re-assemble.