

BRUSSO®

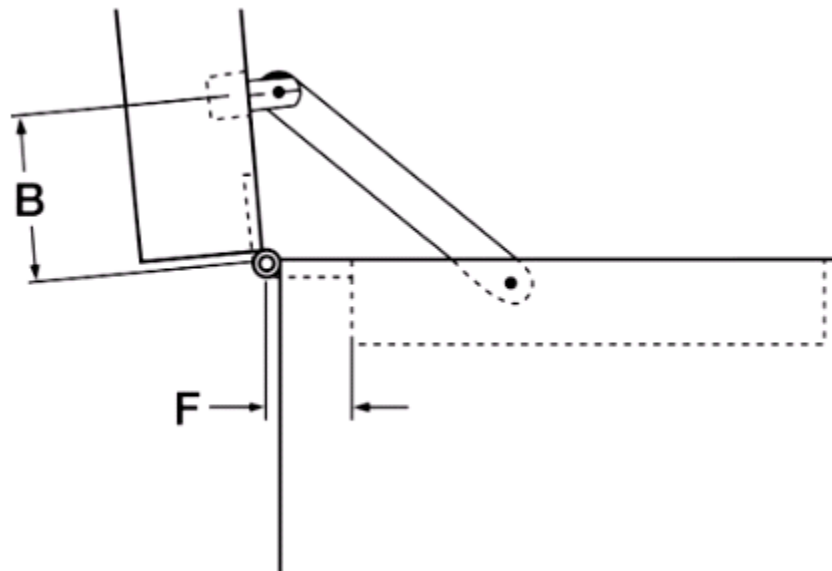
American Made

PRECISION HARDWARE

INSTALLATION INSTRUCTIONS

LID STAY JB-250 & JB-280

Drill a hole that is (A. diameter) in the box lid with its center (B. distance) from the center of the box hinge pin. Cut a mortise into the side of the box that is (C. length), (D. width), and (E. depth), with its end (F. distance) from the center of the box hinge pin. Glue or epoxy the hanger into the drilled hole to depth of its shoulder. Once installed, the hanger must drop into the hole in the lid support body without binding.



	JB-250	JB-280
A. diameter	1/4"	7/16"
B. distance	1"	1-1/2"
C. length	2-7/8"	4-5/16"
D. width	1/4"	3/8"
E. depth	1/2"	3/4"
F. distance	1/2"	3/4"

Should you require further assistance please contact customer service and we will do our best to help.