

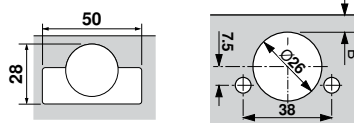
## CLIP top 95° Mini

## Hinges



### Features

- For doors with small frames/stiles
- Side adjustment of +0.5 mm to -3.5 mm
- 26 mm drill bit required (1" cannot be used)
- Three-dimensional adjustment
- For door thicknesses up to 26 (1")
- All metal hinge, nickel-plated



### Minimum reveal table

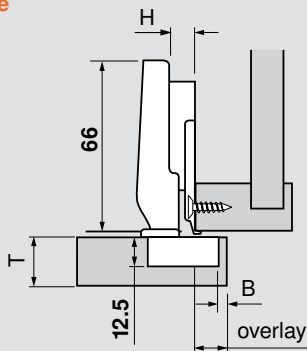
	1.1	2.2	3.0	3.8	5.5	7.3	9.1
3	1.1	2.2	3.0	3.8	5.5	7.3	9.1
4	1.1	2.0	2.7	3.5	5.0	6.8	8.6
5	1.1	1.8	2.4	3.0	4.6	6.3	8.0
B = boring distance	16	18	19	20	22	24	26
T = door thickness							

Thickness greater than 26 trial recommended

CLIP top

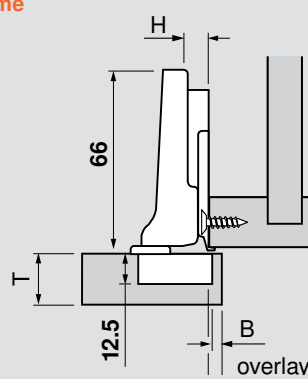
### Overlay

#### Frame



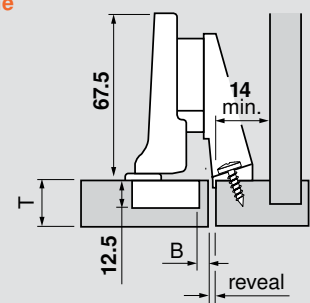
### Partial/twin overlay

#### Frame



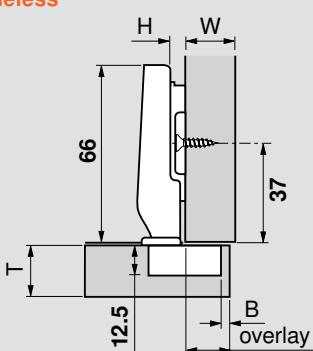
### Inset

#### Frame

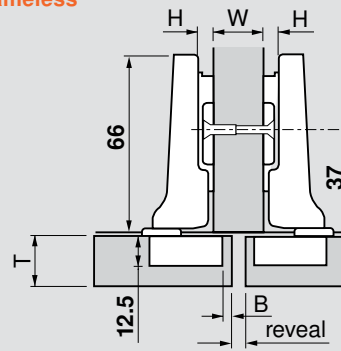


**NOTE:** This application uses a half-cranked hinge and mounting plate 175H5030.21

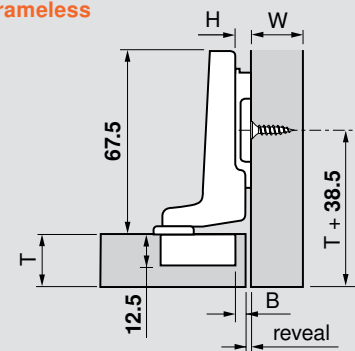
#### Frameless



#### Frameless



#### Frameless



H	Overlay			P	S
0	13	14	15	6	19
3	10	11	12	9	22
4.5	8.5	9.5	10.5	11	23.5
6	7	8	9	12	25
9	4	5	6	15	28
	3	4	5	Fixed distance = 10	
	B = boring distance				

**NOTE:** 4.5 plate is only for use in face frame cabinets, 9 plate is only for frameless cabinets

H	Overlay			P	S
0	3.5	4.5	5.5	15.5	24
	3	4	5	Fixed distance = 5	
	B = boring distance				

H	Reveal			W	P	S
0	9	7	5	16	15.5	24
	12	10	8	19		
	15	13	11	22		
	3	4	5			
	B = boring distance					

H	Reveal			P	S
0	5	4	3	24	32
	3	4	5	Fixed distance = -8	
	B = boring distance				

### Abbreviations

H	=	Plate height
P	=	Door protrusion
S	=	Side arm protrusion
T	=	Door thickness
W	=	Side panel width

Straight-arm	Self close
Screw-on	<b>71T0550</b>

Half-cranked	Self close
Screw-on	<b>71T0650</b>

Full-cranked	Self close
Screw-on	<b>71T0750</b>