

TANDEM plus BLUMOTION



TANDEM plus BLUMOTION 563H

Application



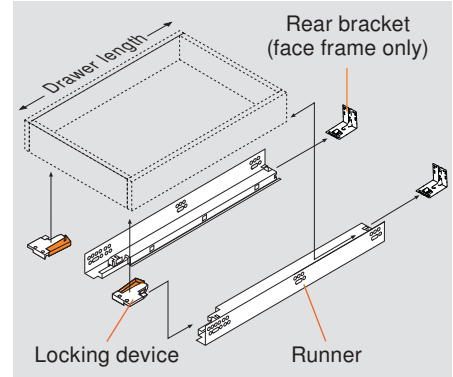
Features

- Four-dimensional adjustment
- Elongated holes for depth adjustment
- Bottom mount holes on 15", 18" and 21"
- 100 lb static load capacity

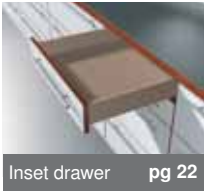
Description

- Full extension concealed runners
- Face frame or frameless cabinets
- BLUMOTION soft closing
- TANDEM smooth running action
- Available in 9" to 21" lengths
- 13 (1/2") to 16 (5/8") drawer thickness
- Made in the USA

Basic Components



Other Applications



Components

Runner set

One set required per drawer



For overall cabinet depth	Drawer length	TANDEM plus BLUMOTION
610 (24")	533 (21")	563H5330B
533 (21")	457 (18")	563H4570B
457 (18")	381 (15")	563H3810B
381 (15")	305 (12")	563H3050B
305 (12")	229 (9")	563H2290B10
Wood screw for installation		606N or 606P
System screw for installation		662.1150.HG

Standard locking device with side-to-side adjustment



- One right and one left required per drawer
- Captive right and self-aligning left device
- Self-adjusting drawer length tolerance
- Steel base with synthetic, spring-loaded release levers
- Minimum inside drawer width 170 (6-11/16")
- Height adjustment +3 (1/8")
- Side-to-side adjustment ±1.5 (1/16")
- For use with 563/569 series runners only
- For other options see page 32

Part no.

Right locking device **T51.1901 R**

Installation Left locking device **T51.1901 L**

page 11 Installation screw **606N or 606P**

Rear mounting bracket for frame cabinets



For use when installing TANDEM runners in face frame cabinets. Not necessary for frameless cabinet installation.

- Two required per drawer
- Depth and lateral self-alignment
- Zinc-coated steel
- For 9" TANDEM rear attachment options see page 35

Part no.

Non-handed bracket **295.3750.02**

Installation screw **606N or 606P**

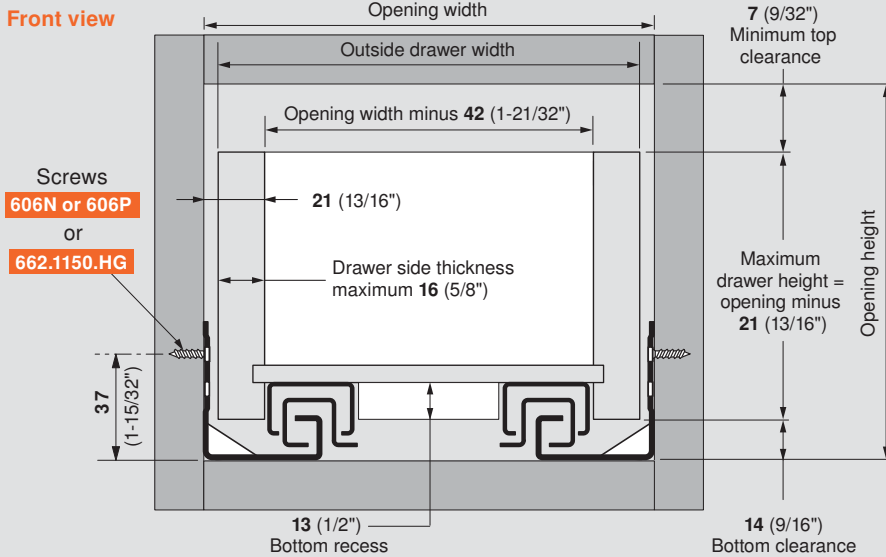
Drawer and Cabinet Specifications

Maximum drawer thickness	16 (5/8")
Lengths available	9" - 21"
Static load capacity	100 lb

TANDEM plus BLUMOTION



Drawer box specifications



NOTE: Drawer side material thickness may vary. Accurate measurement of drawer side material thickness should be used when calculating outside drawer width using the table below. Inside drawer width **must** equal opening width minus 42 (1-21/32") for TANDEM to align and function optimally.

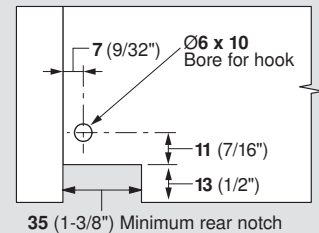
Calculating outside drawer width

For drawer side thickness	16 (5/8")	15 (19/32")	14 (9/16")	13 (1/2")	12 (15/32")
Deduct from opening width	10 (13/32")	12 (15/32")	14 (9/16")	16 (5/8")	18 (23/32")

Example: For 21" opening width and a 5/8" thick drawer, 21" minus 13/32" = 20-19/32" drawer width

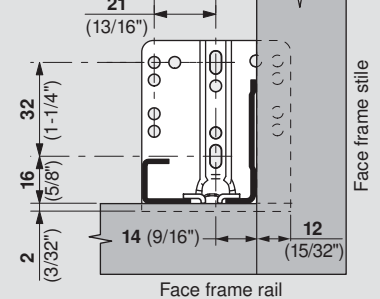
Drawer back preparation

Rear view



Rear mounting bracket

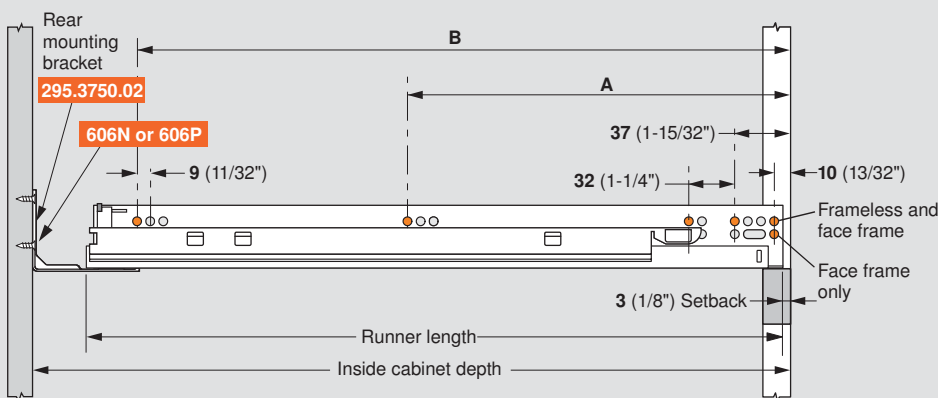
Front view



NOTE: For frame applications, use a minimum of three screws per bracket

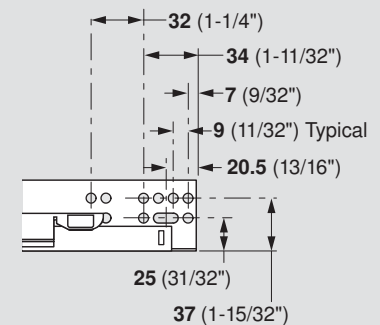
Runner mounting specifications

Side view



NOTE: The orange dots indicate fixing screw locations required to meet specified load ratings

Runner close-up



NOTE: Elongated holes are for ±4.5 (3/16") depth adjustment only. Additional screws must be used to secure the runner to the cabinet.

TANDEM plus BLUMOTION	Drawer length	Inside cabinet depth with rear attachment		Runner length	Screw locations for frameless cabinets	
		Maximum	Minimum		A	B
563H5330B	533 (21")	599 (23-19/32")	557 (21-15/16")	548 (21-9/16")	261 (10-9/32")	517 (20-11/32")
563H4570B	457 (18")	522 (20-9/16")	480 (18-29/32")	471 (18-17/32")	261 (10-9/32")	453 (17-27/32")
563H3810B	381 (15")	446 (17-9/16")	404 (15-29/32")	395 (15-9/16")	165 (6-1/2")	357 (14-1/16")
563H3050B	305 (12")	370 (14-9/16")	328 (12-29/32")	319 (12-9/16")	165 (6-1/2")	261 (10-9/32")
563H2290B10	229 (9")	299 (11-25/32")	266 (10-15/32")	259 (10-3/16")	133 (5-1/4")	229 (9")