


# System One

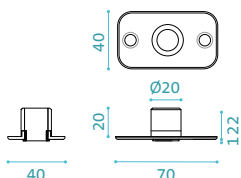
## Set with $\geq 70$ mm Backset Top Pivot

FritsJurgens®

<b>PROJECT :</b>	<b>SET INCLUDES :</b> System One : Class G Rectangular Floor Plate, Adjustable / Finish : stainless steel Standard Top Pivot, $\geq 70$ mm Backset, Class G with 15mm spindle Ceiling Plate : Class G (15mm spindle) / Finish : stainless steel Mounting Kit : epoxy, hex keys, floor template All Fasteners	
<b>OPENING ID :</b>		
<b>SPECIFIER :</b>		
<b>ISSUE DATE :</b>		
<b>NOTES :</b>	<b>SET CODE : ST.ONE.70.G.S.SS</b>	

### Ceiling Plate : 15 mm spindle

Component ID : CP.X.X.G.S.SS



dimensions in mm

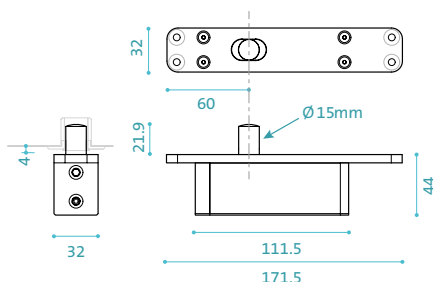
### System One

#### FEATURES :

- Free-swinging 360° operation
- No stops/holds
- No closer/damper function
- For doors up to 1,100 lbs
- Minimum door thickness : 1-9/16" (40mm)
- Minimum pivot point backset : 2-3/4" (70mm)
- Virtually no door width or height limit
- Axial/Plumb Adjustment  $\pm 5$ mm side-to-side
- EN 1670 - Class 5 Corrosion Resistance
- Maintenance-free
- Suitable for all door/frame materials

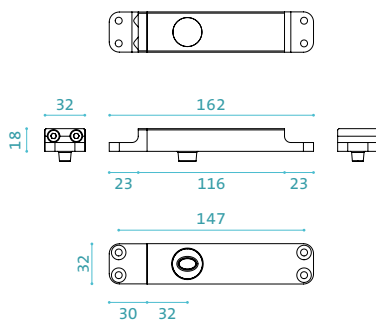
### Top Pivot : TP-70, 15 mm spindle

Component ID : TP.X.70.G.X.XX



### Bottom Pivot : System One 70mm

Component ID : BP.ONE.70.G.X.XX



### Floor Plate : Rectangular

Component ID : FP.M.X.X.S.SS

