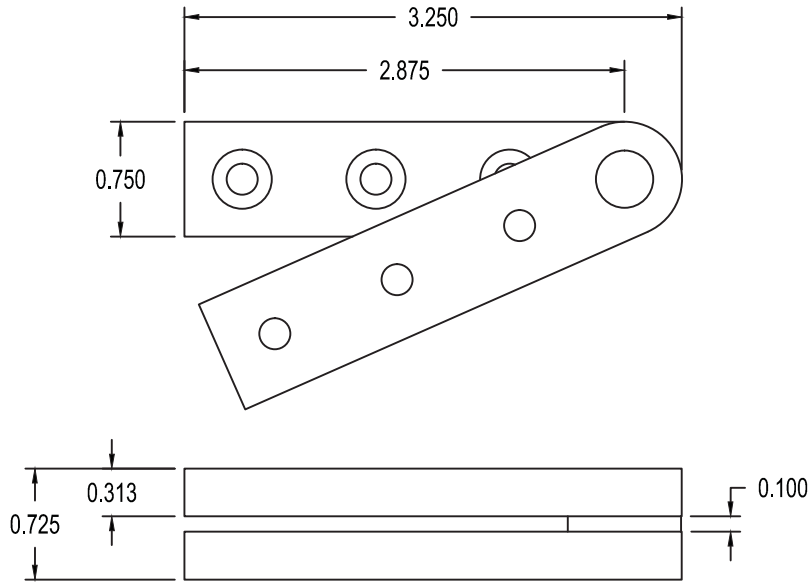
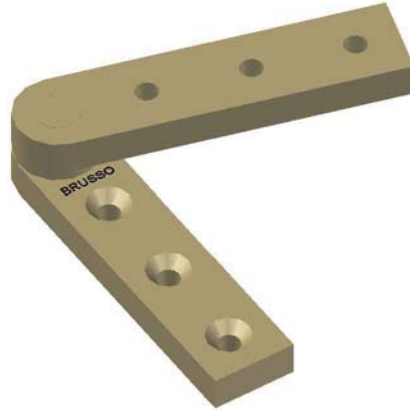


ST 97



Questions- Call before mortising 212-337-8510

BRUSSO[®]
American Made
PRECISION HARDWARE

© 1983-2012 Brusso Hardware LLC
67-69 Greylock Avenue
Belleville, NJ 07109
T 212-337-8510 F 212-337-9840

Product: ST 97 Straight Pivot Hinge

Revision: 0

Component: TEMPLATE

Material: BRASS

File Name:
ST 97 Offset
Pivot Hinge

Catalog No: ST 97

Drawn By: KA

Checked By: RB

Tolerances unless otherwise specified: Machined features fraction $\pm 1/64$
Decimal .xxx $\pm .005$, Angular ± 1 Degree, Hole Diameter $+0.003/-0.002$

Scale: NONE

Date: 4/7/13

Date: 4/8/13

Sheet: 1 of 4