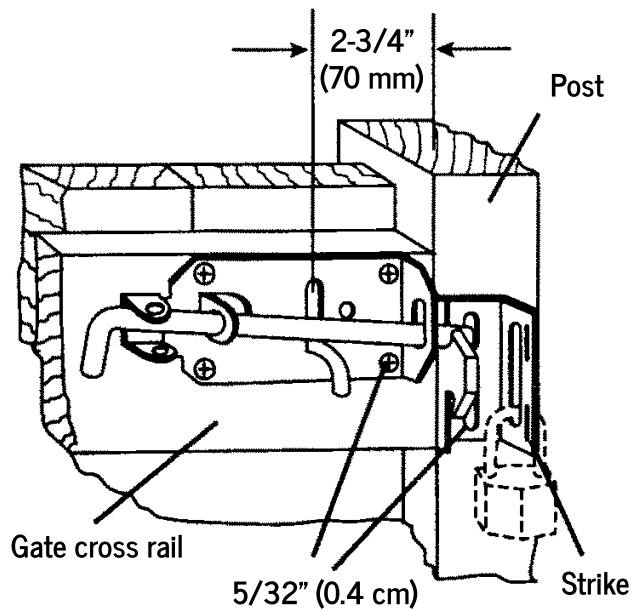


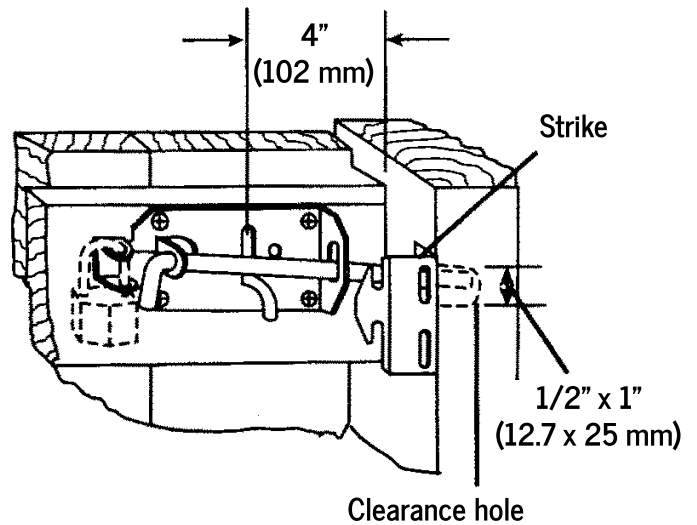
# Thumb Latch for In-Swinging or Out-Swinging Gates

## Installation Information - HardwareSource SKU 504145

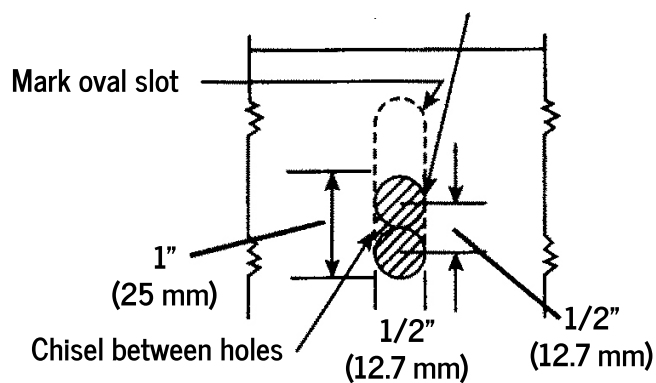
Swing-in Gate (Unlocked Position)



Swing-out Gate (Locked Position)



Drill two 1/2" (25 mm) holes



Thumb lever

