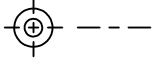
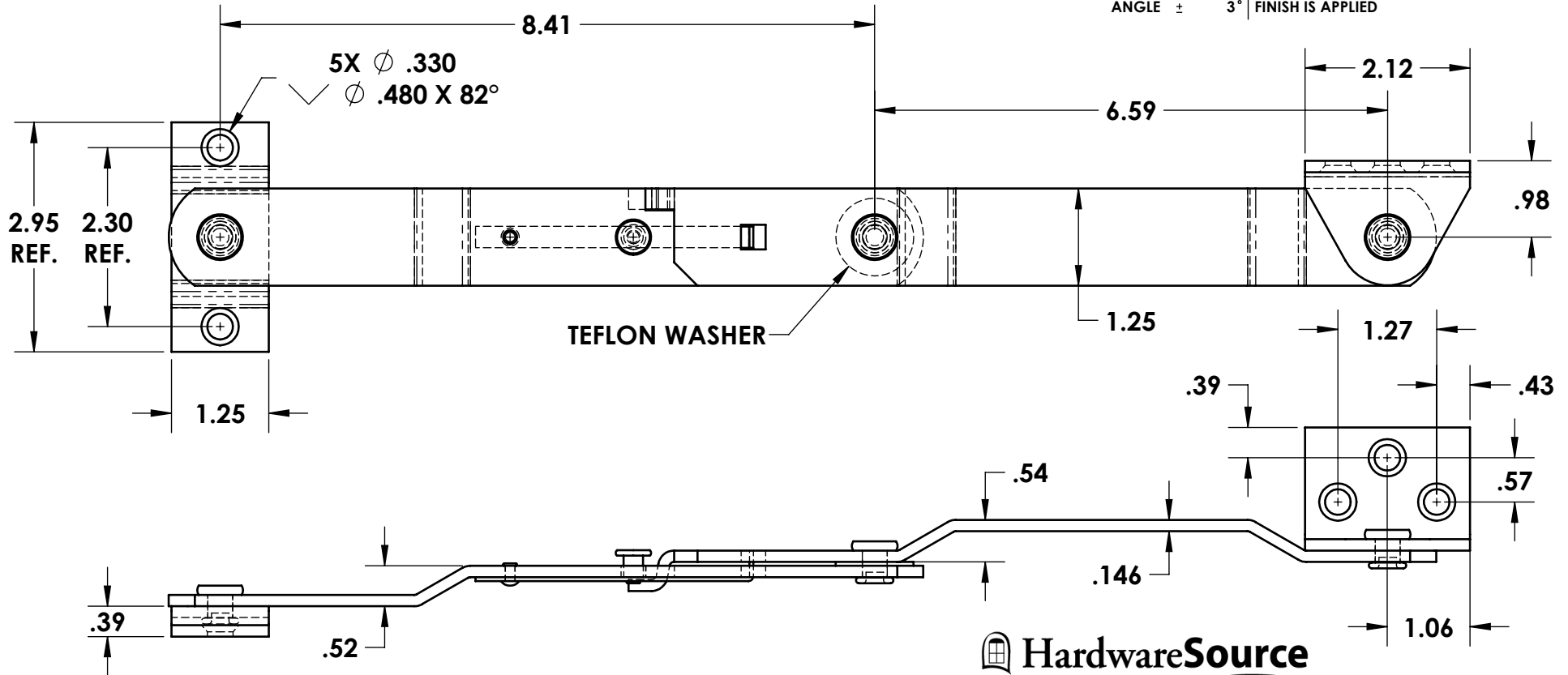


**A**  
SIZE

PROJECTIONS



**LEFT HAND**



TOLERANCES UNLESS OTHERWISE SPECIFIED:

PLACES	INCHES	NOTES:
.XX	± .030	ACCEPTABLE BURR ± 10% OF MATERIAL THICKNESS
.XXX	± .015	ALL TOLERANCES ARE NON-CUMULATIVE
.XXXX	± .005	ALL DIMENSIONS APPLY TO PART BEFORE ANY FINISH IS APPLIED
ANGLE	± 3°	

- NOTES:**
1. FINISH: 108- RACK ZINC AND CLEAR TRIVALENT CHROMATE
  2. INDIVIDUAL PART WITH (5) FLAT HEAD SCREWS

 **HardwareSource**

1 (858) 322-6353

[www.HardwareSource.com](http://www.HardwareSource.com)

Left Hand (Shown): SKU 218420

Right Hand: SKU 218422