



## SPYDR 2h47 EU

The **SPYDR 2h** is a high-output multi-tier grow light for commercial cultivation environments, producing a photosynthetic photon flux (PPF) of 2,180  $\mu\text{mol/s}$ . With strong uniformity and our PhysioSpec™ broad R4 spectrum, SPYDR 2h is designed to maximize yields for growers incorporating high-intensity lighting and cultivation strategies.

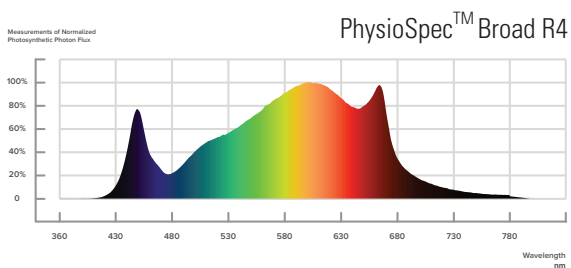




## SPECIFICATIONS

Light Source	LED
Spectrum	PhysioSpec™ Broad R4
Light Output PPF	2180 µmol/s
Efficacy	2,7 µmol/J @ 230 V AC, 2,76 µmol/J @ 400 V AC
AC Input Power	797 W @ 230 V AC, 788 W @ 400V AC
AC Input Voltage	230-480 V AC, 50 Hz
Nominal Power Factor	0,99 @ 230V AC, 0,97 @ 400V AC at 100% output
Nominal Mains Current	2,83 A @ 230V AC, 2,05 A @ 400V AC at 100% output
Light Distribution	120°
Mounting Height Above Canopy	15 cm - 30 cm [6" - 12"]
Thermal Management	Passive
Max. Ambient Temperature/Humidity	35°C [95°F], 90% RH
Dimming	Off/on 0/1-10 V sink dimming, source driver
Total Harmonic Distortion (THD)	< 10% at 100% output
Lifetime (Driver and LED Q90)	> 50.000 hrs
IP Rating IEC 60598-1	IP66
Certifications	CE, UL 8800, IEC 60598-1
Warranty	5 Year Limited Warranty
Electrical Insulation	Class III (IEC 60598-1 Luminaire)

## SPECTRA



### LUMINAIRE ORDERING CODES

SPYDR Fixture 2h	<b>LS2H-10891</b>	-	<b>01</b>	Single pack
			<b>15</b>	Bulk pack

### POWER SUPPLIES ORDERING CODES

High Voltage, Global	<b>PHVG-72037</b>	-	<b>01</b>	Single pack
			<b>24</b>	Bulk pack

### POWER SUPPLY BRACKETS ORDERING CODES

PSU Brackets	<b>AMS2-10927</b>	-	<b>01</b>	Single pack
			<b>20</b>	Bulk pack

MOUNTING HARDWARE	Ordering Code	Kits [*]/Carton
Adjustable Mounting Kit	<b>AMS2-10310-[*]</b>	<b>01</b> or <b>10</b>
Long V Mounts Kit	<b>AMS2-10348-[*]</b>	<b>01</b> or <b>20</b>
2-Point Hanging Lances Kit	<b>AMS2-10332-[*]</b>	<b>01</b> or <b>20</b>
Offset Solid Deck Mounting Kit	<b>AMS2-10311-[*]</b>	<b>01</b> or <b>20</b>
Solid-Decking Mounts Kit	<b>AMS2-10331-[*]</b>	<b>01</b> or <b>20</b>
Short V Mounts Kit	<b>AMS2-10330-[*]</b>	<b>01</b> or <b>20</b>
VAS Mounting Kit	<b>AMS2-10349-[*]</b>	<b>01</b> or <b>05</b>
PIPP Wire Hanger with VAS Kit	<b>AMS2-10406-[*]</b>	<b>01</b> or <b>20</b>
PIPP Wire Hanger with VAS Short Kit	<b>AMS2-10412-[*]</b>	<b>01</b> or <b>20</b>
Offset PIPP Drip/Flood with VAS Long Kit	<b>AMS2-10413-[*]</b>	<b>01</b> or <b>20</b>
Offset PIPP Drip/Flood with VAS Short Kit	<b>AMS2-10414-[*]</b>	<b>01</b> or <b>20</b>

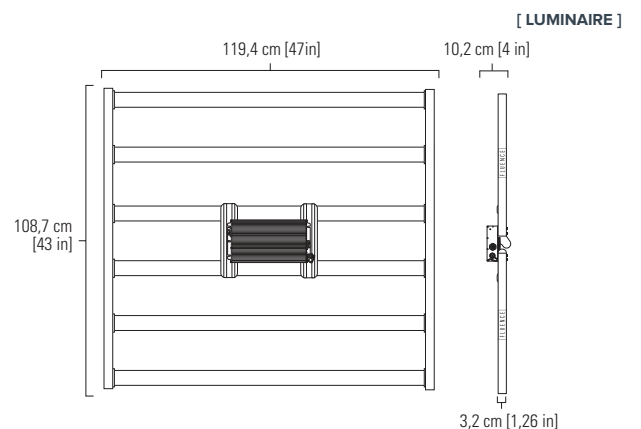
Replace [\*] with the kits per carton with two digits (example: AMS2-10310-01)

AC POWER CABLES (Power Supply to AC Line)	Quantity per Light Fixture	Ordering Code	QTY/Carton
1,8 m (6 ft) AC Cable, VDE, H07RN-F, Schuko CEE 7/7 plug, M19 Push Lock, 230 V AC	1 pc	<b>CACE-70774-[*]</b>	1 or 10 pcs
1,8 m (6 ft) AC Cable, VDE, H07RN-F, pigtail, M19 Push Lock (not for CE countries)	1 pc	<b>CACE-71161-[*]</b>	1 or 10 pcs
4,5 m (15 ft) AC Cable, VDE, H07RN-F, Schuko CEE 7/7 plug, M19 Push Lock, 230V AC	1 pc	<b>CACE-70775-[*]</b>	1 or 5 pcs
4,5 m (15 ft) AC Cable, VDE, H07RN-F, pigtail, M19 Push Lock (not for CE countries)	1 pc	<b>CACE-71162-[*]</b>	1 or 5 pcs
70 cm (27,6 in) AC Cable, Dca, pigtail, M19 Push Lock (400V CE application)	1 pc	<b>CACE-71411-[*]</b>	1 or 10 pcs

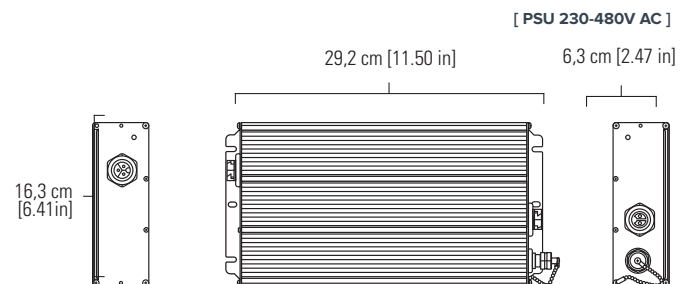
DC POWER CABLES (Fixture to Power Supply)	Quantity per Light Fixture	Ordering Code	QTY/Carton
90 cm (3 ft) DC Cable, M19 Push Lock	1 pc	<b>CDCG-70720-[*]</b>	1 or 10 pcs
1,8 m (6 ft) DC Cable, M19 Push Lock	1 pc	<b>CDCG-70721-[*]</b>	1 or 10 pcs

DC DIMMING SIGNAL CABLES (Power Supply to Dimming Control)	Quantity per Light Fixture	Ordering Code	QTY/Carton
80 cm (31,5 in) dimming signal cable, Cca, pigtail, M12 connector	1 pc	<b>CDME-71526-[*]</b>	1 or 10 pcs

Replace [\*] with the quantity per carton with two digits (example: CDME-71526-01)



WEIGHT: 7,6 kg [16,7 lb]



WEIGHT: 3,7 kg [8.1 lb]

**Disclaimer:** Performance values are from representative tests performed in accordance industry standards listed. Actual application performance may vary due to component tolerances and installation, environmental, and field measurements conditions.



Contact **The Lamphouse** @  
[info@thelamphouse.co.za](mailto:info@thelamphouse.co.za)  
[www.fluence-led.com/spydr-series](http://www.fluence-led.com/spydr-series)