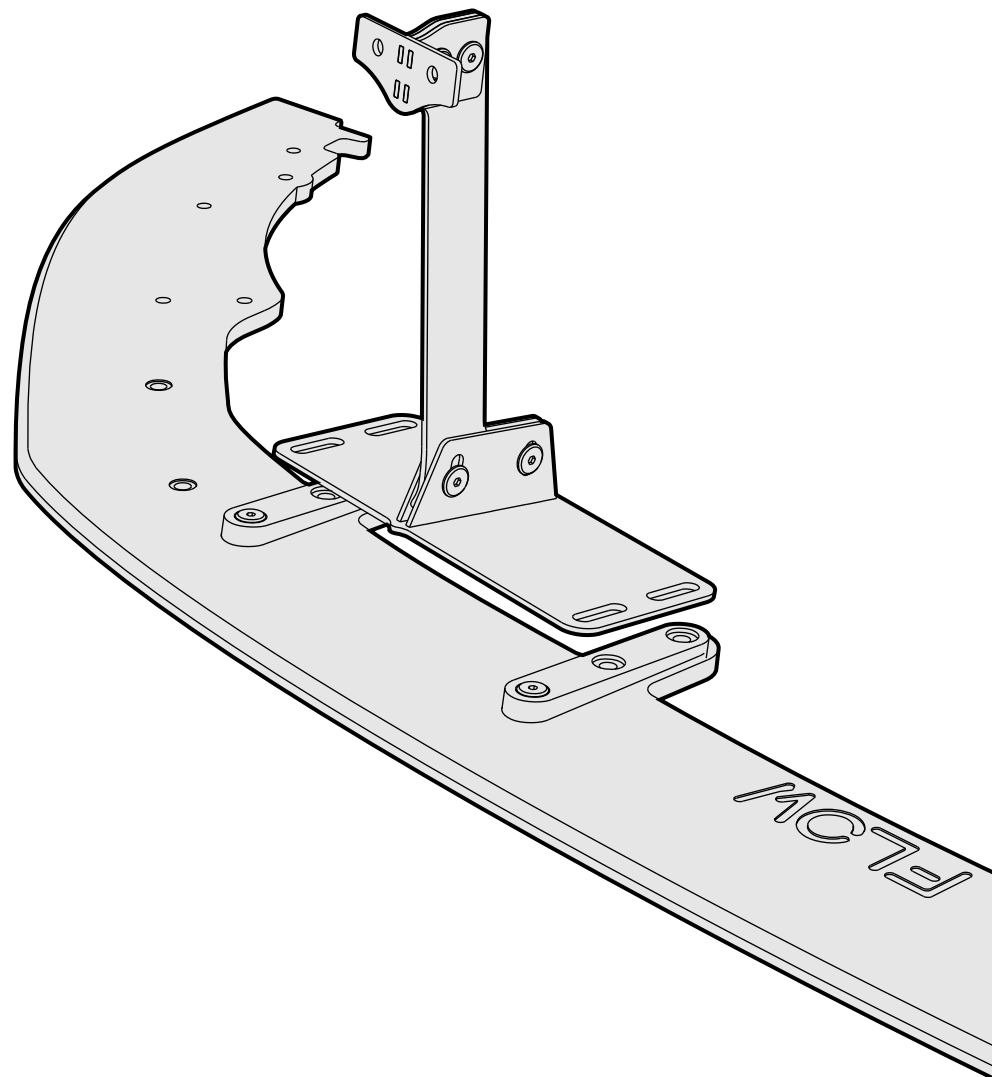
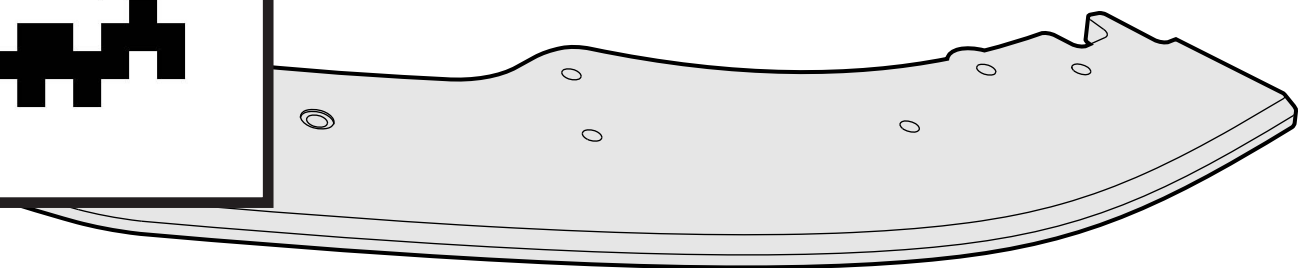
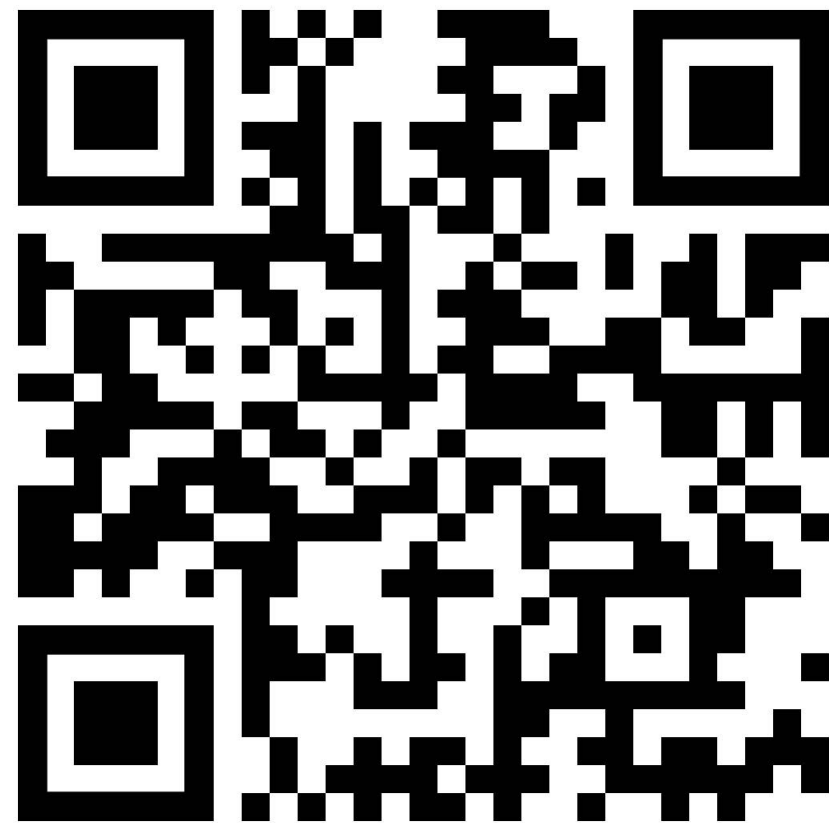


# VW MK7 GOLF R USDM FRONT SPLITTER & CRASH BAR BRACKET INSTRUCTIONS



PLEASE SCAN QR CODE  
TO WATCH INSTRUCTIONAL VIDEO  
BEFORE INSTALLING



# BRACKET ASSEMBLY GUIDE

VW MK7 GOLF R USDM - FRONT SPLITTER & CRASH BAR BRACKET INSTRUCTIONS

## INSTALLATION AND FITTING SERVICES

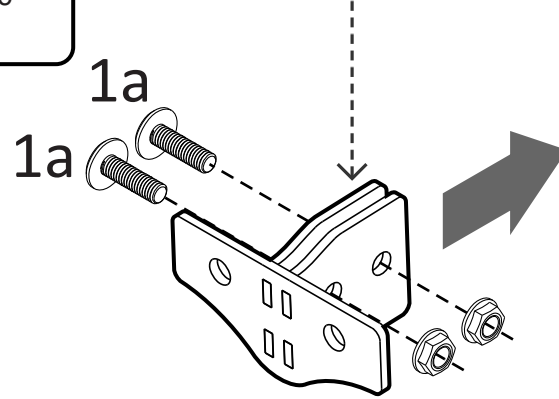
If you are having any difficulties please seek professional advice from the listed International and Domestic Authorised Dealers on our website.

[www.flowdesignsaustralia.com](http://www.flowdesignsaustralia.com)

## FRONT BUMPER REMOVAL REQUIRED

### HANDY HINT

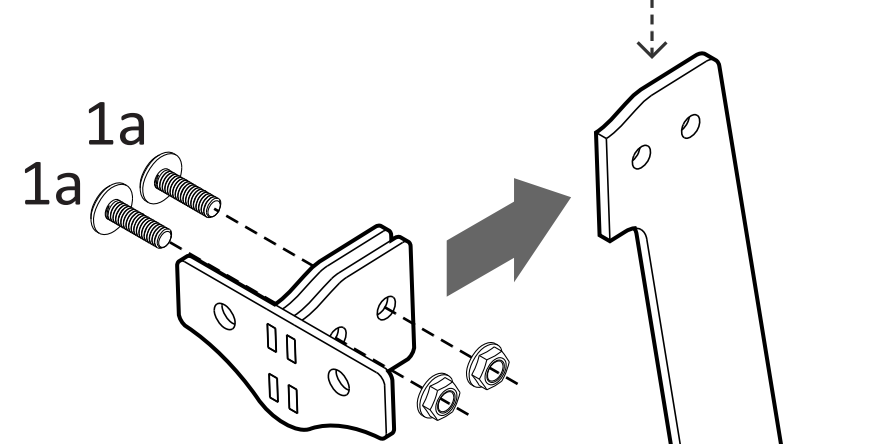
Mount top hanger bracket flush to the top of the upright piece to ensure optimal fitment.



## RIGHT BRACKET

### HANDY HINT

Mount top hanger bracket flush to the top of the upright piece to ensure optimal fitment.



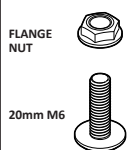
## LEFT BRACKET

## BRACKET FITTING KIT

1a

M6 BOLT  
20mm LONG

X 8

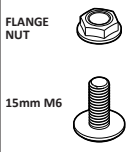


PLEASE NOTE:  
ASSEMBLE AND  
TIGHTEN BOLTS BEFORE  
INSTALLING BRACKET  
ONTO CRASH BAR

1b

M6 BOLT  
15mm LONG

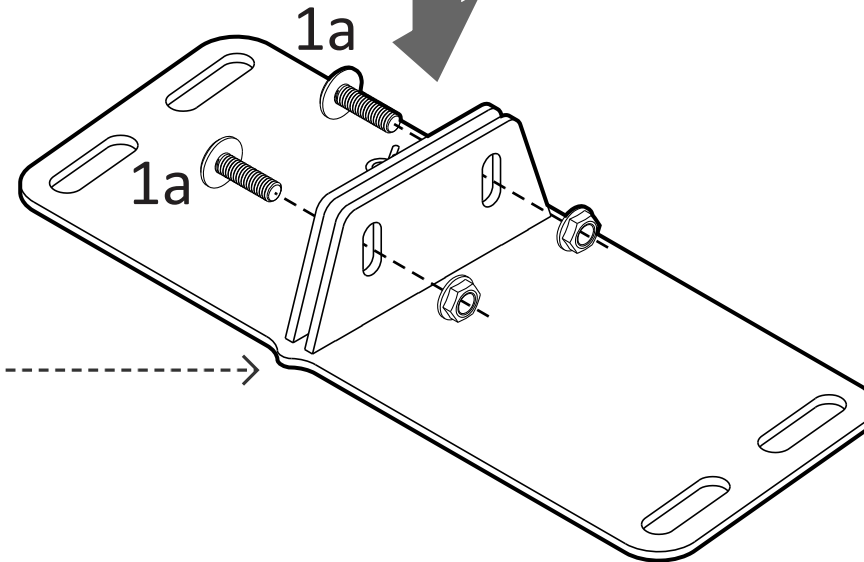
X 4



PLEASE NOTE:  
DRILLING INTO METAL  
CRASH BAR REQUIRED  
TO INSTALL TO VEHICLE.  
USE 6MM OR 1/4"  
DRILL BIT

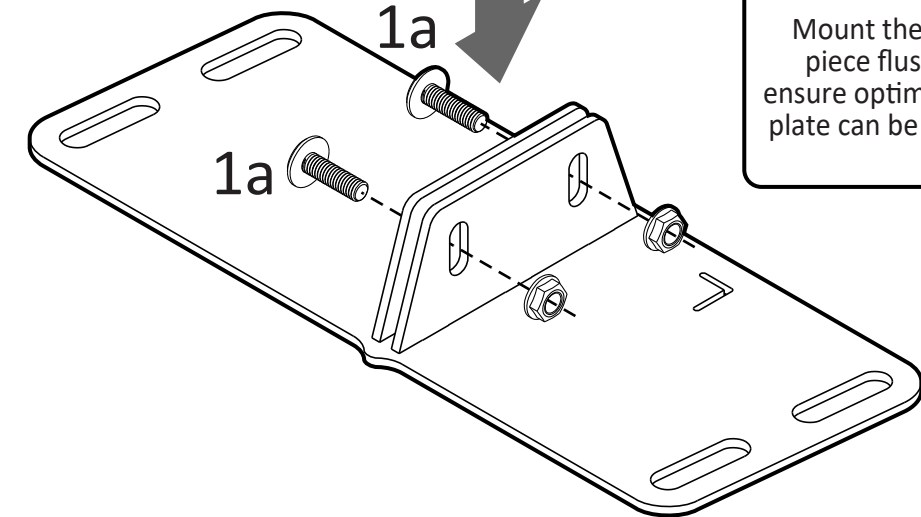
### HANDY HINT

Mount upright piece with notches facing the same direction for correct installation.

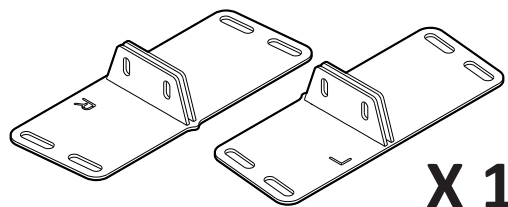


### HANDY HINT

Mount the bottom of the upright piece flush to the base plate to ensure optimal fitment. Angle of base plate can be adjusted to suit vehicle/ bumper.

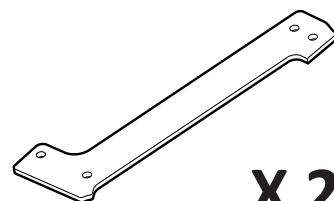


### BRACKET BASE PLATES (PAIR)



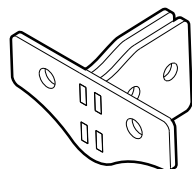
X 1

### BRACKET UPRIGHTS



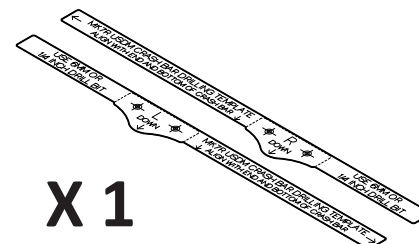
X 2

### BRACKET HANGERS



X 2

### DRILLING TEMPLATE (PAIR)



X 1



#### TERMS AND CONDITIONS: MISUSE OF GOODS

By taking possession of the Flow Designs Australia product, you (the buyer) agree that you have read, understood and will comply with the following disclaimer:

- This product may not be suitable for road use in your area. We cannot be held liable for any penalties or infringements that may occur after installing any of our products.
- We cannot guarantee that this product will comply with all subsequent aftermarket products you have applied to your vehicle.
- It is not legal to fit parts onto a road registered vehicle unless it carries and meets the designs rules and public road regulations of your area, region and/or country.
- We do our best effort to consider safety when designing our products. We want the scene to be a safe place for everyone!

This disclaimer absolves us (Flow Designs Australia) of any and all liability or breaches to any requirement as a result of installation of our products.

[www.flowdesignsaustralia.com](http://www.flowdesignsaustralia.com)

### INSTRUCTIONAL VIDEO QR CODE



# BRACKET INSTALLATION GUIDE

VW MK7 GOLF R USDM - FRONT SPLITTER & CRASH BAR BRACKET INSTRUCTIONS

## INSTALLATION AND FITTING SERVICES

If you are having any difficulties please seek professional advice from the listed International and Domestic Authorised Dealers on our website.

[www.flowdesignsaustralia.com](http://www.flowdesignsaustralia.com)

## FRONT BUMPER REMOVAL REQUIRED

### CRASH BAR BRACKET INSTALLATION GUIDE

1. Assemble both brackets prior to installation of splitter. Refer to **Bracket Assembly Guide** for instructions.
2. Remove front bumper and foam insert from crash bar.
3. Align templates to crash bar as shown in **Diagram A**.
4. Drill pilot hole through template using 3mm drill bit.
5. Use a 6mm or 1/4" drill bit or step drill bit to enlarge hole on crash bar as shown in **Diagram B**.
6. Deburr drilled hole and paint over hole prior to installation of bracket (Optional).
7. Mount left / right brackets behind and under the crash bar using the supplied fitting kit as shown in **Diagram C**.
8. Align the bracket vertically before tightening mounting bolts to the crash bar. Brackets can be repositioned to enable better fitment.

### SPLITTER INSTALLATION GUIDE (REFER TO FITTING DIAGRAM PAGE)

1. Mount the splitter to the bumper off the vehicle. Drill through the bumper for the remaining mounting holes.
2. Reinstall foam insert and bumper onto vehicle.
3. Use supplied mounting bolts from splitter fitting kit to mount through crash bar bracket and splitter.

INSTRUCTIONAL  
VIDEO QR CODE

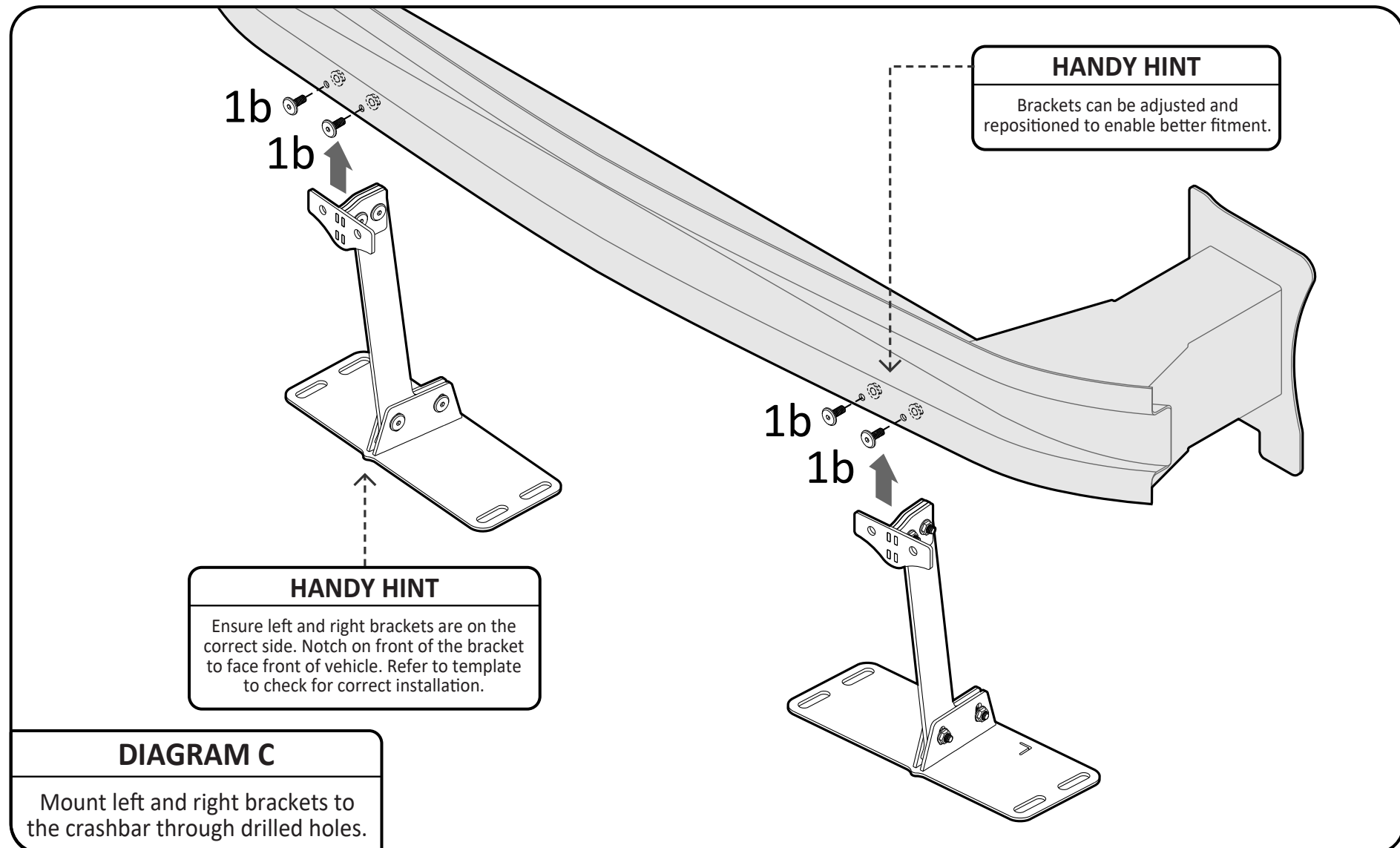
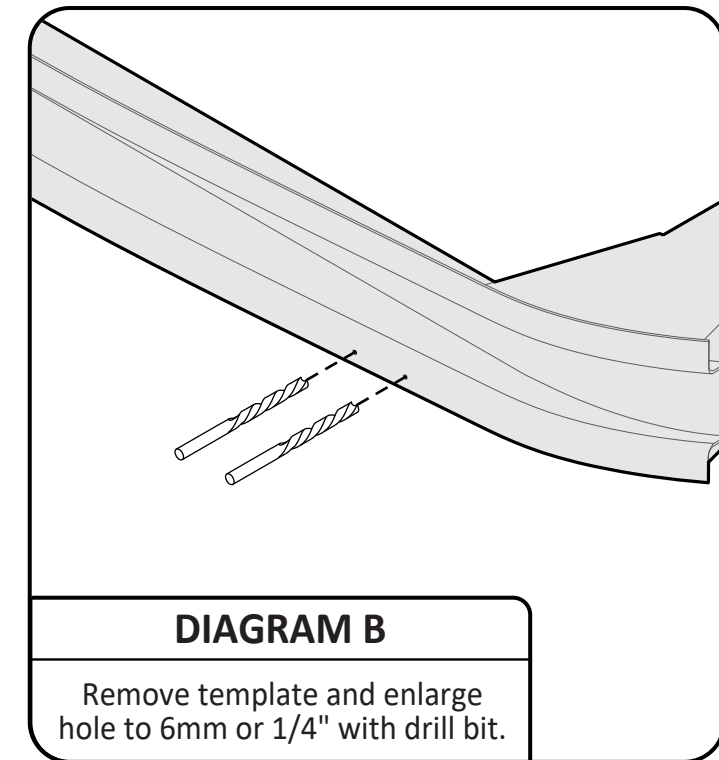
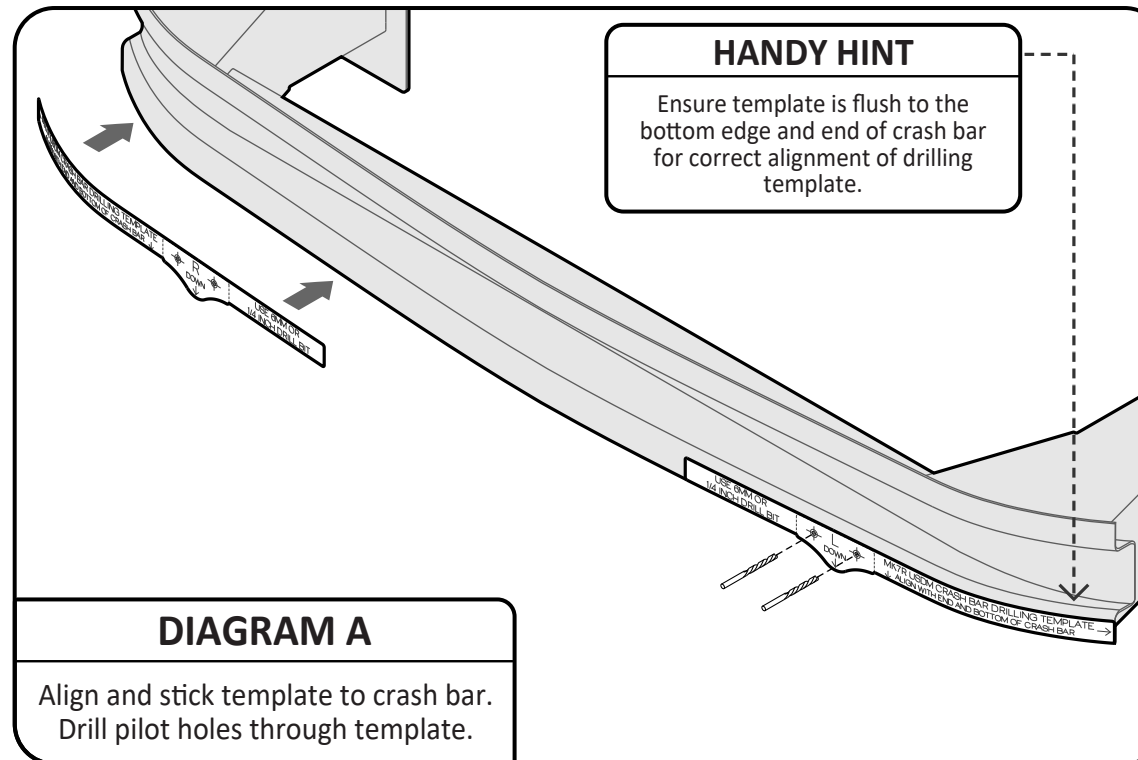


**TERMS AND CONDITIONS: MISUSE OF GOODS**  
By taking possession of the Flow Designs Australia product, you (the buyer) agree that you have read, understood and will comply with the following disclaimer:

- This product may not be suitable for road use in your area. We cannot be held liable for any penalties or infringements that may occur after installing any of our products.
- We cannot guarantee that this product will comply with all subsequent aftermarket products you have applied to your vehicle.
- It is not legal to fit parts onto a road registered vehicle unless it carries and meets the designs rules and public road regulations of your area, region and/or country.
- We do our best effort to consider safety when designing our products. We want the scene to be a safe place for everyone!

This disclaimer absolves us (Flow Designs Australia) of any and all liability or breaches to any requirement as a result of installation of our products.

[www.flowdesignsaustralia.com](http://www.flowdesignsaustralia.com)



# FITTING DIAGRAM

VW MK7 GOLF R USDM - FRONT SPLITTER & CRASH BAR BRACKET INSTRUCTIONS

## INSTALLATION AND FITTING SERVICES

If you are having any difficulties please seek professional advice from the listed International and Domestic Authorised Dealers on our website.

[www.flowdesignsaustralia.com](http://www.flowdesignsaustralia.com)

## FRONT BUMPER REMOVAL REQUIRED

**FLOW**  
DESIGNS

FLOW DESIGNS AUSTRALIA  
ABN : 99 605 842 199  
10 LONGSTAFF RD  
BAYSWATER  
VIC. 3153



### TERMS AND CONDITIONS: MISUSE OF GOODS

By taking possession of the Flow Designs Australia product, you (the buyer) agree that you have read, understood and will comply with the following disclaimer:

- This product may not be suitable for road use in your area. We cannot be held liable for any penalties or infringements that may occur after installing any of our products.
- We cannot guarantee that this product will comply with all subsequent aftermarket products you have applied to your vehicle.
- It is not legal to fit parts onto a road registered vehicle unless it carries and meets the designs rules and public road regulations of your area, region and/or country.
- We do our best effort to consider safety when designing our products. We want the scene to be a safe place for everyone!

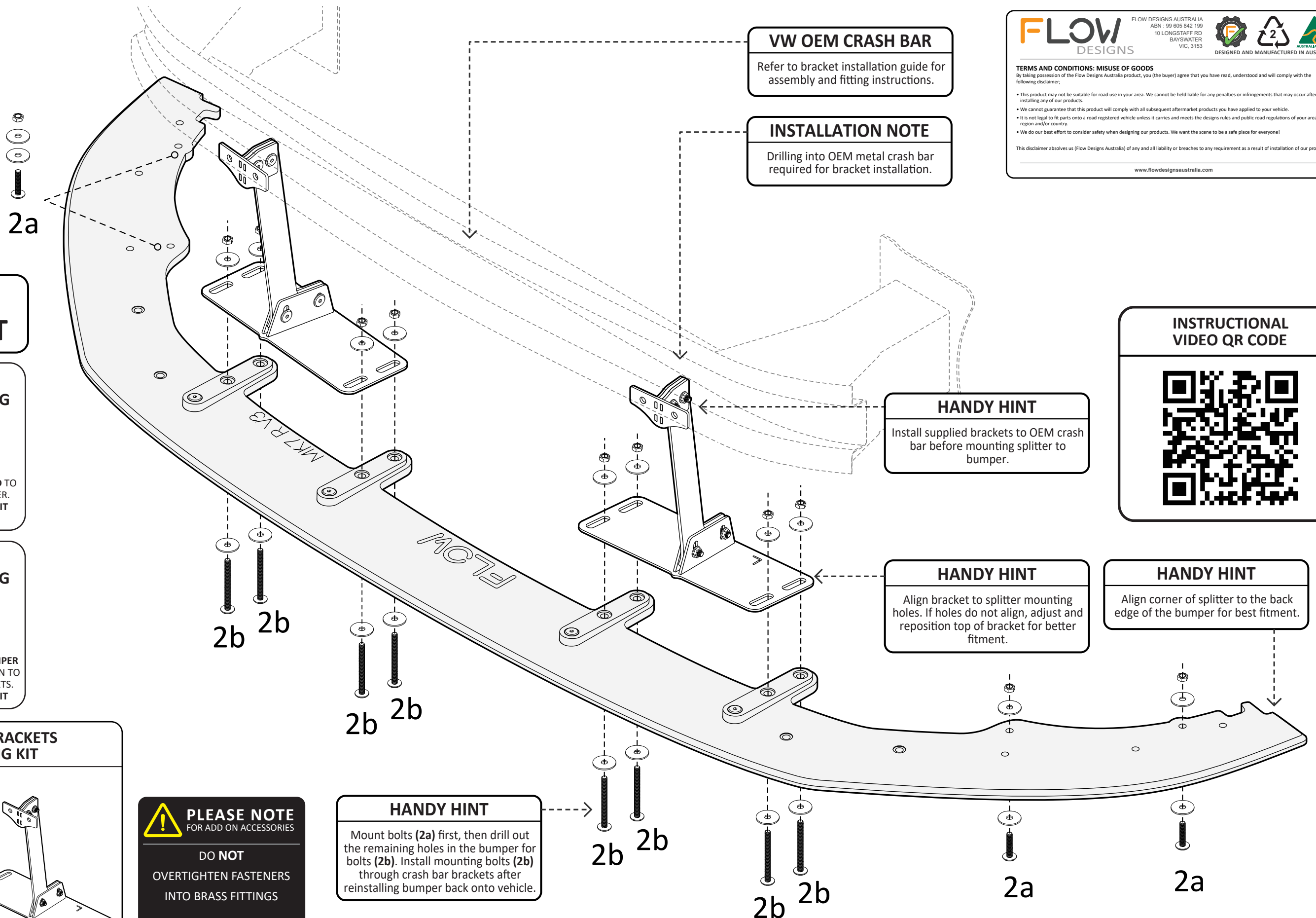
This disclaimer absolves us (Flow Designs Australia) of any and all liability or breaches to any requirement as a result of installation of our products.  
[www.flowdesignsaustralia.com](http://www.flowdesignsaustralia.com)

### VW OEM CRASH BAR

Refer to bracket installation guide for assembly and fitting instructions.

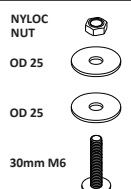
### INSTALLATION NOTE

Drilling into OEM metal crash bar required for bracket installation.



## SPLITTER FITTING KIT

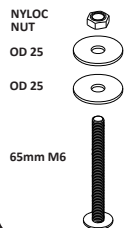
**2a** M6 BOLT  
30mm LONG



**X 4**

PLEASE NOTE:  
DRILLING REQUIRED TO FASTEN TO BUMPER.  
USE 8MM DRILL BIT

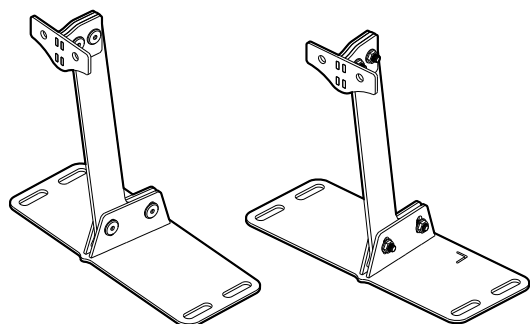
**2b** M6 BOLT  
65mm LONG



**X 8**

PLEASE NOTE:  
DRILLING INTO BUMPER  
REQUIRED TO FASTEN TO  
CRASH BAR BRACKETS.  
USE 8MM DRILL BIT

## CRASH BAR BRACKETS AND FITTING KIT



**PLEASE NOTE**  
FOR ADD ON ACCESSORIES

**DO NOT**  
OVERTIGHTEN FASTENERS  
INTO BRASS FITTINGS

HAND TIGHTEN ONLY

**FLOW**  
DESIGNS

### HANDY HINT

Mount bolts (2a) first, then drill out the remaining holes in the bumper for bolts (2b). Install mounting bolts (2b) through crash bar brackets after reinstalling bumper back onto vehicle.

### HANDY HINT

Install supplied brackets to OEM crash bar before mounting splitter to bumper.

### HANDY HINT

Align bracket to splitter mounting holes. If holes do not align, adjust and reposition top of bracket for better fitment.

### HANDY HINT

Align corner of splitter to the back edge of the bumper for best fitment.

## INSTRUCTIONAL VIDEO QR CODE

