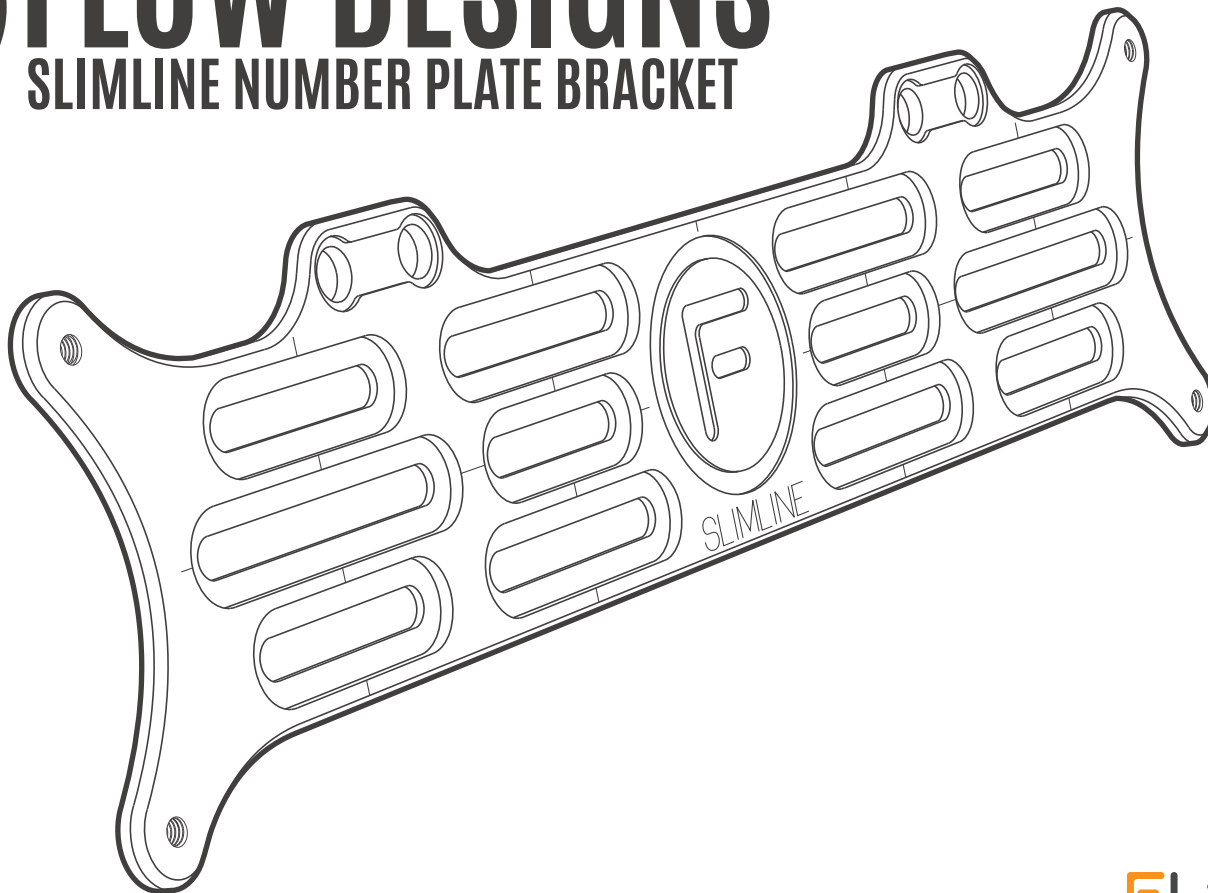




# FLOW DESIGNS

## SLIMLINE NUMBER PLATE BRACKET

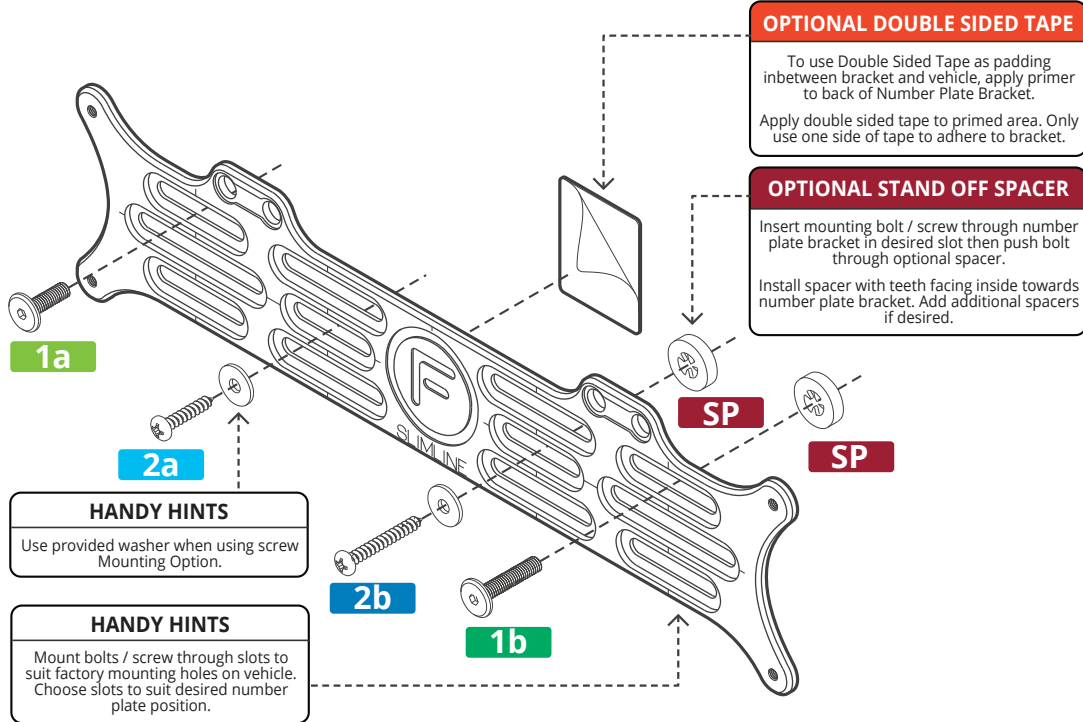


# INSTALLATION DIAGRAM - STEP 1

## MOUNTING SLIMLINE NUMBER PLATE BRACKET TO VEHICLE

### INSTALLATION GUIDE

- Remove existing number plate from vehicle.
- Choose Bracket Mounting Option to suit vehicle.
  - Option 1** (M6 Connector Bolts)
  - Option 2** (10g Screws)
- Select correct length bolt / screw (**a, b or c**) to suit Mounting Option. Use shorter bolts / screws if spacers are not used.
- Insert bolt / screw through number plate bracket and optional spacer then align to vehicle.
- Tighten Mounting bolts / screws to secure number plate bracket to vehicle.



#### OPTIONAL DOUBLE SIDED TAPE

To use Double Sided Tape as padding inbetween bracket and vehicle, apply primer to back of Number Plate Bracket. Apply double sided tape to primed area. Only use one side of tape to adhere to bracket.

#### OPTIONAL STAND OFF SPACER

Insert mounting bolt / screw through number plate bracket in desired slot then push bolt through optional spacer. Install spacer with teeth facing inside towards number plate bracket. Add additional spacers if desired.

#### HANDY HINTS

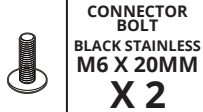
Use provided washer when using screw Mounting Option.

#### HANDY HINTS

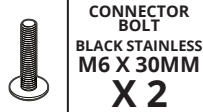
Mount bolts / screw through slots to suit factory mounting holes. Choose slots to suit desired number plate position.

### BRACKET FITTING KIT

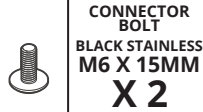
#### OPTION 1a



#### OPTION 1b



#### OPTION 1c



#### OPTION 2a



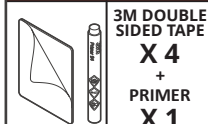
#### OPTION 2b



#### SPACER



#### DOUBLE SIDED TAPE



# INSTALLATION DIAGRAM - STEP 2

## MOUNTING NUMBER PLATE TO SLIMLINE NUMBER PLATE BRACKET

### INSTALLATION GUIDE

- Choose Plate Mounting Option:
  - **Option 1** (6mm Dress Bolt)
  - **Option 2** (6mm Countersunk)
  - **Option 3** (8mm Dress Bolt)
  - **Option 4** (M4 Rubber Nut)
  - **Option 5** (Kingpin Bolt)
- Insert bolt through Slimline number plate, then align and mount to number plate bracket.
- Tighten Plate Mounting bolts to secure number plate to bracket.

#### OPTION 1 & 2

6mm Bolts to be used on Slimline Metal number plates.

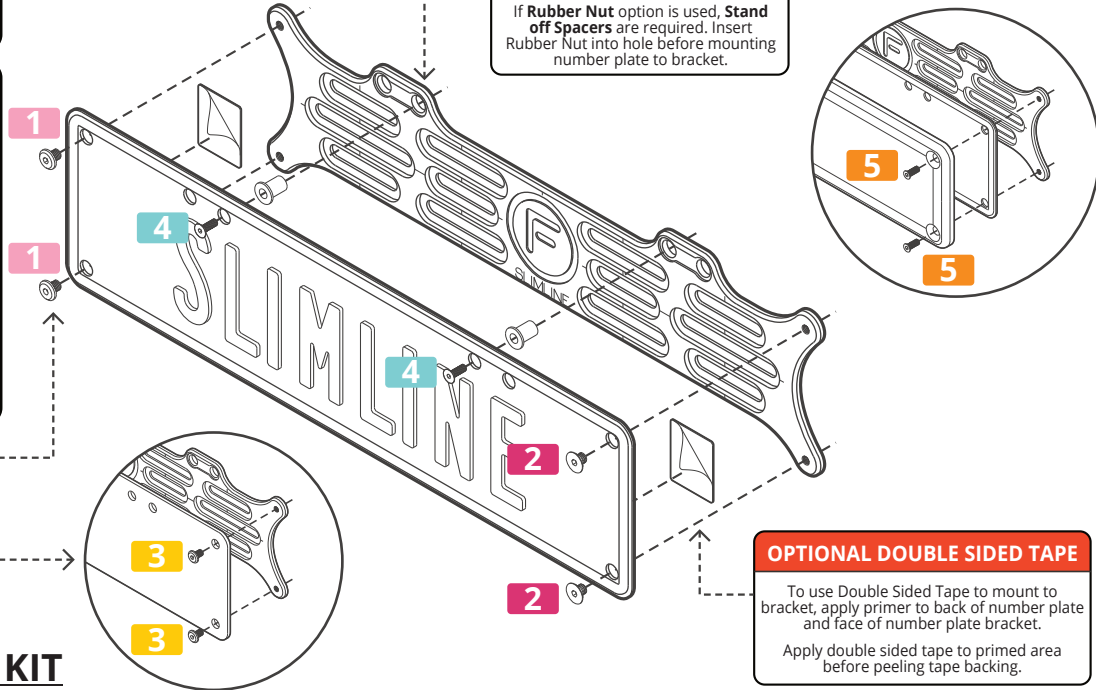
#### OPTION 3

8mm Bolts to be used on Slimline Polycarbonate/Acrylic number plates.

#### OPTION 4

If Rubber Nut option is used, Stand off Spacers are required. Insert Rubber Nut into hole before mounting number plate to bracket.

#### OPTION 5 - KINGPIN COVER



#### OPTIONAL DOUBLE SIDED TAPE

To use Double Sided Tape to mount to bracket, apply primer to back of number plate and face of number plate bracket.

Apply double sided tape to primed area before peeling tape backing.

### NUMBER PLATE FITTING KIT

#### OPTION 1



DRESS BOLT  
BLACK STAINLESS  
M5 X 6MM  
**X 4**

#### OPTION 2



COUNTERSUNK  
BLACK STAINLESS  
M5 X 6MM  
**X 4**

#### OPTION 3



POLYCARBONATE /  
ACRYLIC PLATE  
DRESS BOLT  
BLACK STAINLESS  
M5 X 8MM  
**X 4**

#### OPTION 4



M4 RUBBER NUT  
+  
BLACK STAINLESS  
M4 X 12MM  
**X 2**

#### OPTION 5



KINGPIN  
COVER BOLT  
BLACK STAINLESS  
M5 X 14MM  
**X 4**

#### DOUBLE SIDED TAPE



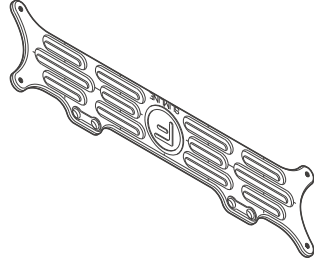
3M DOUBLE  
SIDED TAPE  
**X 4**  
+  
PRIMER  
**X 1**

# PARTS AND FITTING KIT

## SLIMLINE NUMBER PLATE BRACKET

### PARTS LIST

**X 1**  
SLIMLINE  
NUMBER PLATE BRACKET



**X 2**  
CONNECTOR  
BOLT  
BLACK STAINLESS  
M6 X 20MM



**X 2**  
CONNECTOR  
BOLT  
BLACK STAINLESS  
M6 X 30MM



**X 2**  
CONNECTOR  
BOLT  
BLACK STAINLESS  
M6 X 15MM



**X 2**  
10G X 25MM  
SELF-TAPPING  
SCREW +  
16mm WASHER



**X 2**  
10G X 38MM  
SELF-TAPPING  
SCREW +  
16mm WASHER



**X 1**  
4MM  
ALLEN KEY



**X 1**  
3MM  
ALLEN KEY



**X 4**  
DRESS BOLT  
BLACK STAINLESS  
M5 X 6MM



**X 4**  
COUNTERSUNK  
BLACK STAINLESS  
M5 X 6MM



**X 4**  
POLYCARBONATE /  
ACRYLIC PLATE  
DRESS BOLT  
BLACK STAINLESS  
M5 X 8MM



**X 2**  
M4 RUBBER NUT  
BLACK STAINLESS  
M4 X 12MM



**X 4**  
KINGPIN  
COVER BOLT  
BLACK STAINLESS  
M5 X 14MM



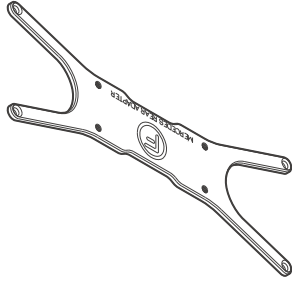
**X 4**  
STAND OFF  
SPACER



**X 4**  
3M VHB  
DOUBLE SIDED  
TAPE



**X 1**  
3M  
PRIMER

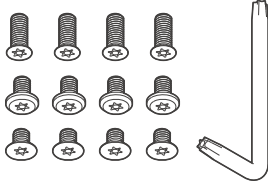


**MERCEDES REAR  
ADAPTER PLATE**

Rear Adapter Plate required for  
use with Mercedes Benz vehicles.

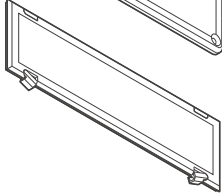
**SECURITY BOLT  
PACK OPTION**

Security Bolts with Security Key to  
mount number plate to bracket.



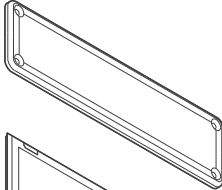
**ALTEX NUMBER  
PLATE COVER**

Altex number plate covers to suit  
Slimline size number plate.



**KINGPIN NUMBER  
PLATE COVER**

Kingpin number plate covers to  
suit Slimline size number plate.



### OPTIONAL ACCESSORIES (SOLD SEPARATELY)