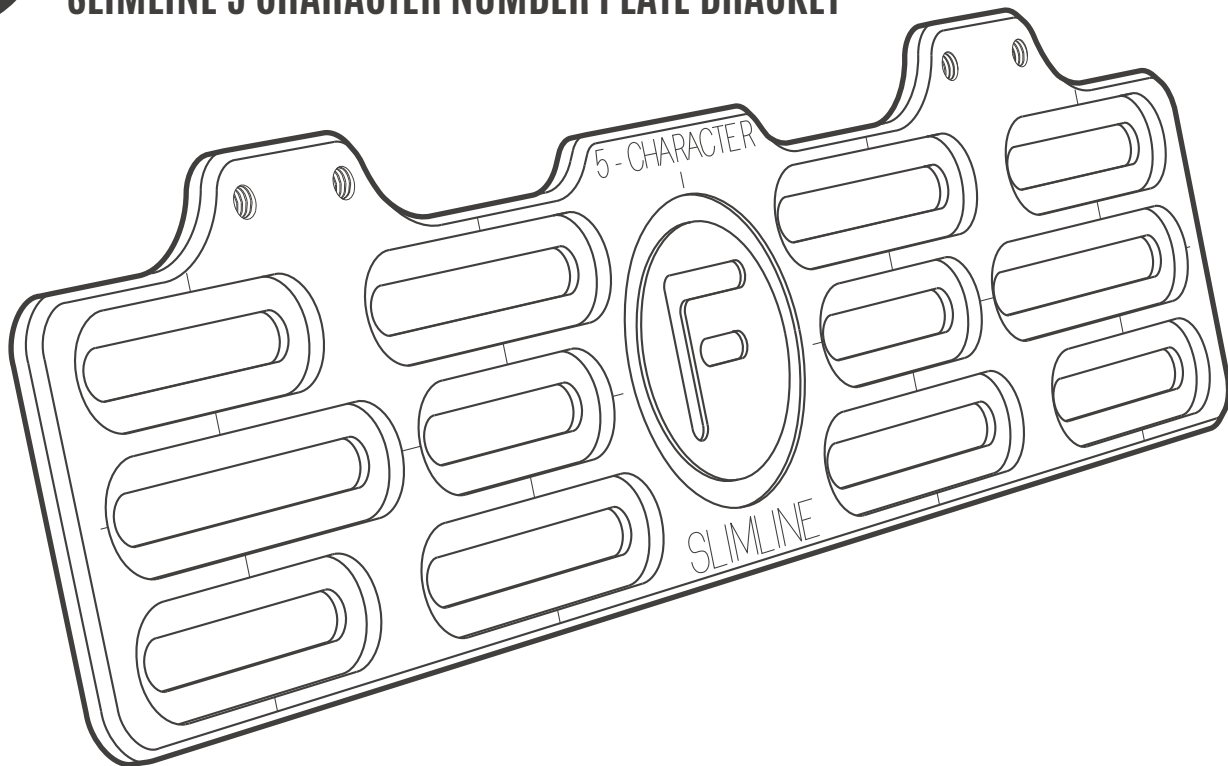




# FLOW DESIGNS

SLIMLINE 5 CHARACTER NUMBER PLATE BRACKET

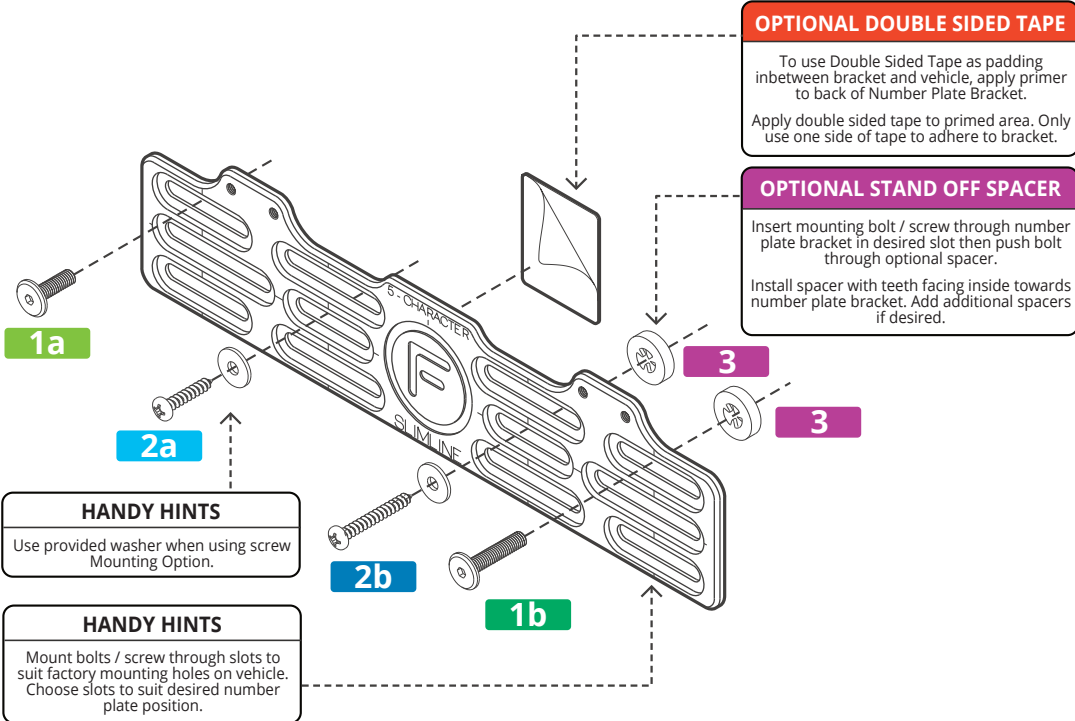


# INSTALLATION DIAGRAM - STEP 1

## MOUNTING SLIMLINE NUMBER PLATE BRACKET TO VEHICLE

### INSTALLATION GUIDE

- Remove existing number plate from vehicle.
- Choose Bracket Mounting Option to suit vehicle.
  - Option 1** (M6 Connector Bolts)
  - Option 2** (10g Screws)
- Select correct length bolt / screw (**a** or **b**) to suit Mounting Option. Use shorter bolts / screws if spacers are not used.
- Insert bolt / screw through number plate bracket and optional spacer then align to vehicle.
- Tighten Mounting bolts / screws to secure number plate bracket to vehicle.



### BRACKET FITTING KIT

#### OPTION 1a



CONNECTOR BOLT  
BLACK STAINLESS  
M6 X 20MM  
**X 2**

#### OPTION 1b



CONNECTOR BOLT  
BLACK STAINLESS  
M6 X 30MM  
**X 2**

#### OPTION 2a



10G X 25MM  
SELF-TAPPING  
SCREW  
+  
16mm WASHER  
**X 2**

#### OPTION 2b



10G X 38MM  
SELF-TAPPING  
SCREW  
+  
16mm WASHER  
**X 2**

#### 3



STAND OFF  
SPACER  
**X 4**

#### DOUBLE SIDED TAPE



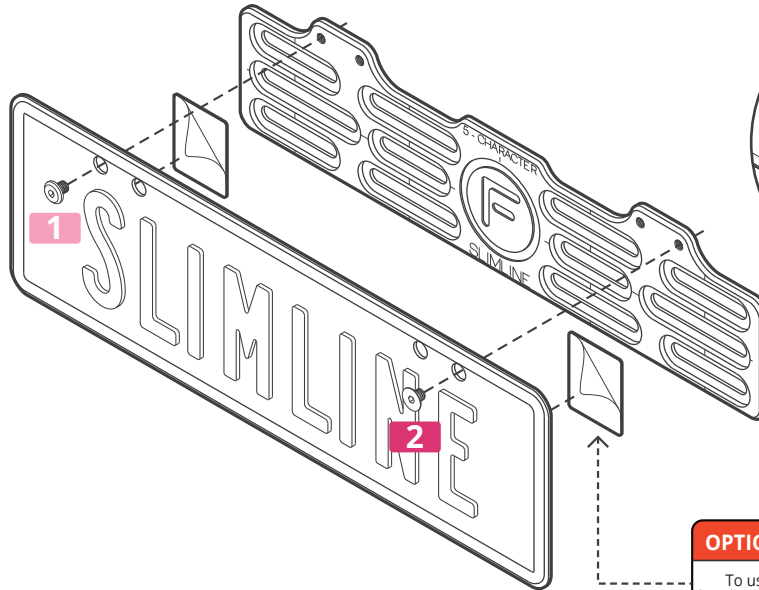
3M DOUBLE  
SIDED TAPE  
**X 4**  
+  
PRIMER  
**X 1**

# INSTALLATION DIAGRAM - STEP 2

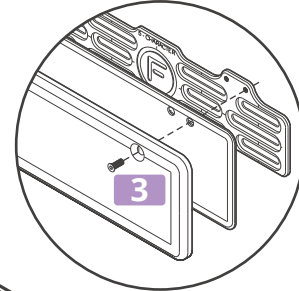
## MOUNTING NUMBER PLATE TO SLIMLINE NUMBER PLATE BRACKET

### INSTALLATION GUIDE

- Choose Plate Mounting Option:
  - **Option 1** (6mm Dress Bolt)
  - **Option 2** (6mm Countersunk)
  - **Option 3** (Kingpin Bolt)
- Insert bolt through Slimline number plate, then align and mount to number plate bracket.
- Tighten Plate Mounting bolts to secure number plate to bracket.



### OPTION 3 - KINGPIN COVER



### OPTIONAL DOUBLE SIDED TAPE

To use Double Sided Tape to mount to bracket, apply primer to back of number plate and face of number plate bracket.

Apply double sided tape to primed area before peeling tape backing.

### NUMBER PLATE FITTING KIT

#### OPTION 1



DRESS BOLT  
BLACK STAINLESS  
M5 X 6MM  
**X 2**

#### OPTION 2



COUNTERSUNK  
BLACK STAINLESS  
M5 X 6MM  
**X 2**

#### OPTION 3



KINGPIN  
COVER BOLT  
COUNTERSUNK  
BLACK STAINLESS  
M5 X 14MM  
**X 2**

#### DOUBLE SIDED TAPE



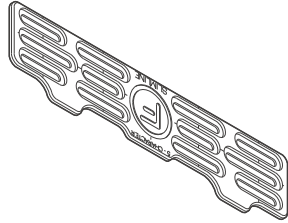
3M DOUBLE  
SIDED TAPE  
**X 4**  
+  
PRIMER  
**X 1**

# PARTS AND FITTING KIT

## SLIMLINE 5 CHARACTER NUMBER PLATE BRACKET

### PARTS LIST

**X 1**  
SLIMLINE 5 CHARACTER  
NUMBER PLATE BRACKET



**X 2**  
CONNECTOR  
BOLT  
BLACK STAINLESS  
M6 X 20MM



**X 2**  
10G X 25MM  
SELF-TAPPING  
SCREW +  
16mm WASHER



**X 2**  
DRESS BOLT  
BLACK STAINLESS  
M5 X 6MM



**X 2**  
COUNTERSUNK  
BLACK STAINLESS  
M5 X 6MM



**X 4**  
STAND OFF  
SPACER



**X 4**  
DOUBLE SIDED  
3M VHB  
TAPE



**X 2**  
KINGPIN  
COVER BOLT  
BLACK STAINLESS  
M5 X 14MM



**X 1**  
3M  
PRIMER



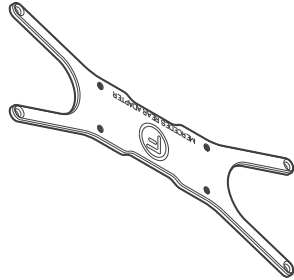
**X 2**  
10G X 38MM  
SELF-TAPPING  
SCREW +  
16mm WASHER



**X 1**  
4MM  
ALLEN KEY



**X 1**  
3MM  
ALLEN KEY

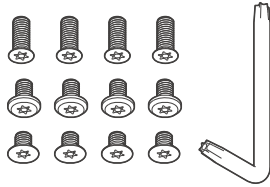


**MERCEDES REAR  
ADAPTER PLATE**

Rear Adapter Plate required for  
use with Mercedes Benz vehicles.

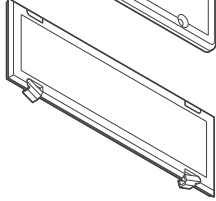
**SECURITY BOLT  
PACK OPTION**

Security Bolts with Security Key to  
mount number plate to bracket.



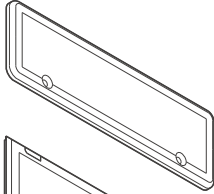
**ALTRIX NUMBER  
PLATE COVER**

Altrix number plate covers to suit  
Slimline size number plate.



**KINGPIN NUMBER  
PLATE COVER**

Kingpin number plate covers to  
suit Slimline size number plate.



### OPTIONAL ACCESSORIES (SOLD SEPARATELY)