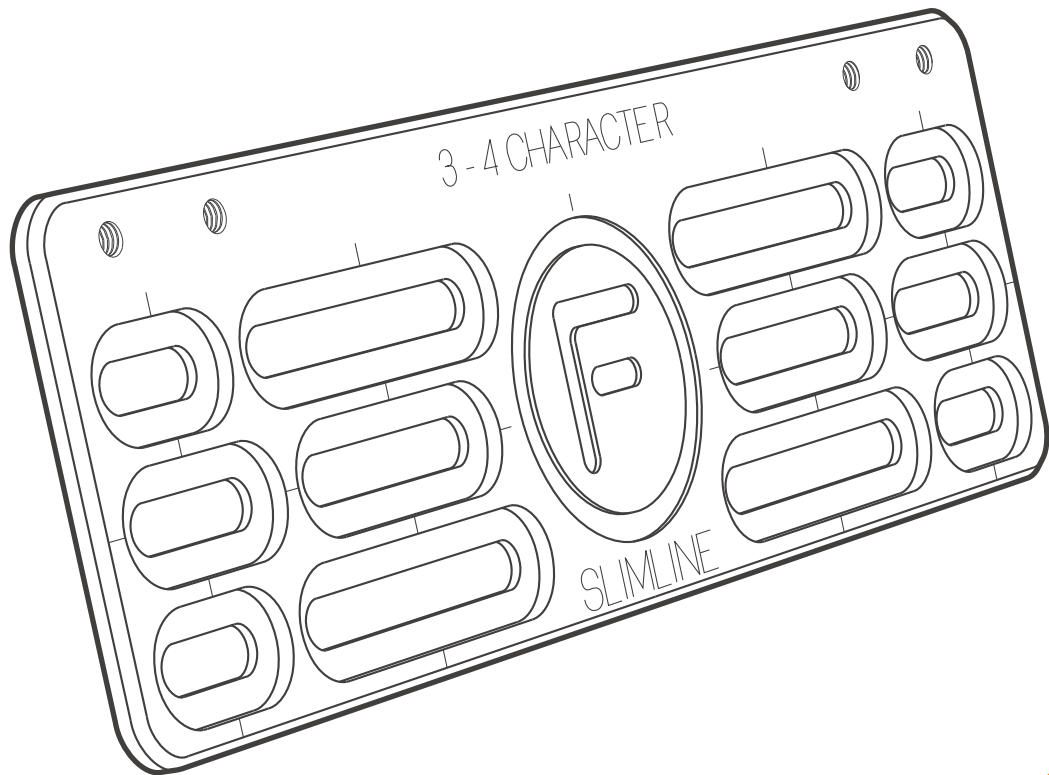




FLOW DESIGNS

SLIMLINE 3-4 CHARACTER NUMBER PLATE BRACKET

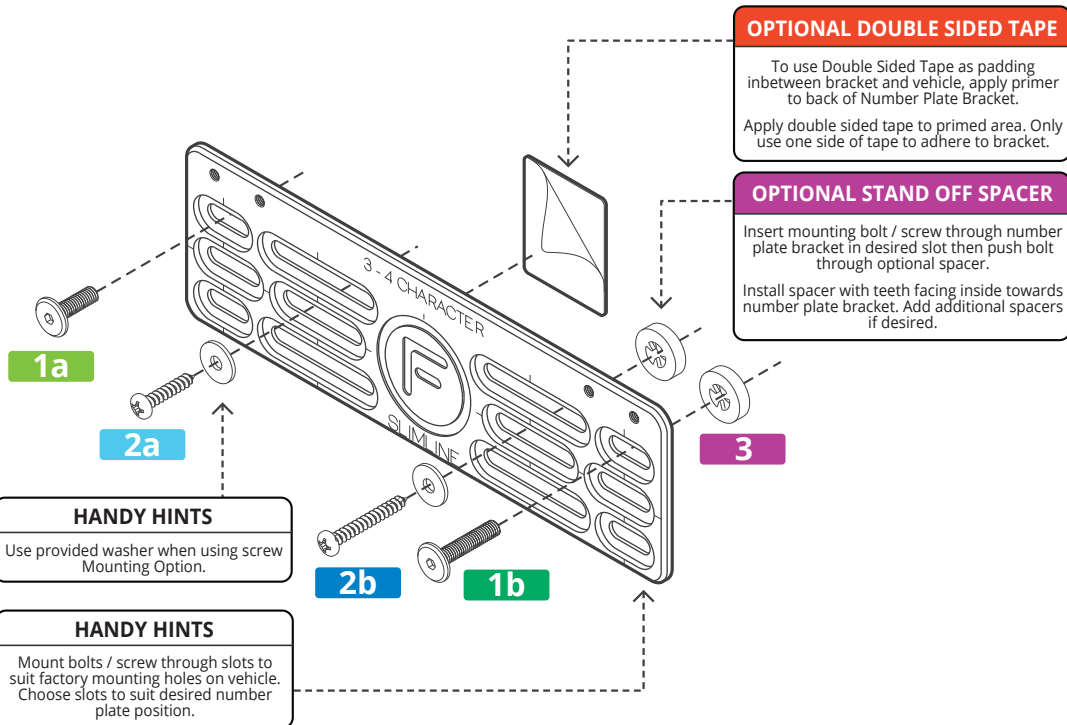


INSTALLATION DIAGRAM - STEP 1

MOUNTING SLIMLINE NUMBER PLATE BRACKET TO VEHICLE

INSTALLATION GUIDE

- Remove existing number plate from vehicle.
- Choose Bracket Mounting Option to suit vehicle.
 - Option 1** (M6 Connector Bolts)
 - Option 2** (10g Screws)
- Select correct length bolt / screw (**a** or **b**) to suit Mounting Option. Use shorter bolts / screws if spacers are not used.
- Insert bolt / screw through number plate bracket and optional spacer then align to vehicle.
- Tighten Mounting bolts / screws to secure number plate bracket to vehicle.



BRACKET FITTING KIT

OPTION 1a

CONNECTOR BOLT
BLACK STAINLESS
M6 X 20MM
X 2

OPTION 1b

CONNECTOR BOLT
BLACK STAINLESS
M6 X 30MM
X 2

OPTION 2a

10G X 25MM
SELF-TAPPING
SCREW
+
16mm WASHER
X 2

OPTION 2b

10G X 38MM
SELF-TAPPING
SCREW
+
16mm WASHER
X 2

3

STAND OFF
SPACER
X 4

DOUBLE SIDED TAPE

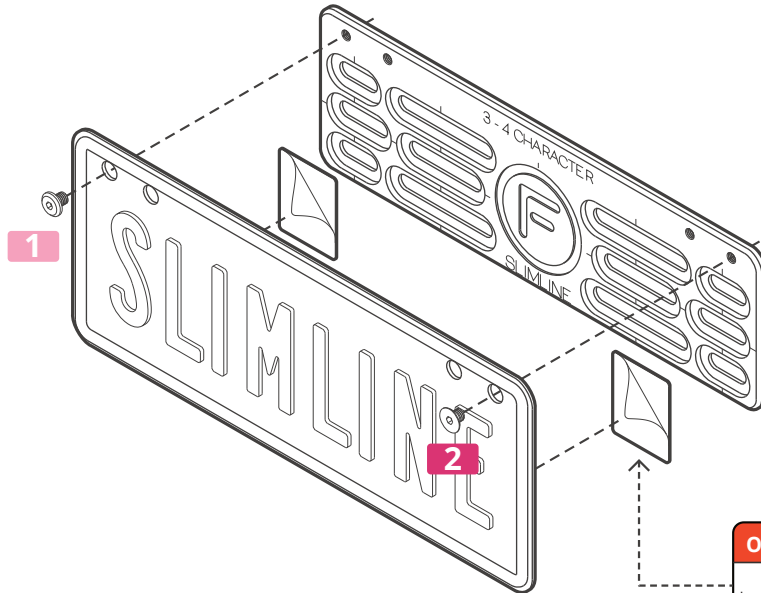
3M DOUBLE
SIDED TAPE
X 4
+
PRIMER
X 1

INSTALLATION DIAGRAM - STEP 2

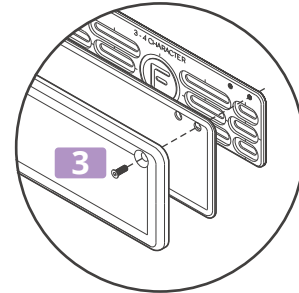
MOUNTING NUMBER PLATE TO SLIMLINE NUMBER PLATE BRACKET

INSTALLATION GUIDE

- Choose Plate Mounting Option:
 - **Option 1** (6mm Dress Bolt)
 - **Option 2** (6mm Countersunk)
 - **Option 3** (Kingpin Bolt)
- Insert bolt through Slimline number plate, then align and mount to number plate bracket.
- Tighten Plate Mounting bolts to secure number plate to bracket.



OPTION 3 - KINGPIN COVER



OPTIONAL DOUBLE SIDED TAPE

To use Double Sided Tape to mount to bracket, apply primer to back of number plate and face of number plate bracket.

Apply double sided tape to primed area before peeling tape backing.

NUMBER PLATE FITTING KIT

OPTION 1



DRESS BOLT
BLACK STAINLESS
M5 X 6MM
X 2

OPTION 2



COUNTERSUNK
BLACK STAINLESS
M5 X 6MM
X 2

OPTION 3



KINGPIN
COVER BOLT
COUNTERSUNK
BLACK STAINLESS
M5 X 14MM
X 2

DOUBLE SIDED TAPE



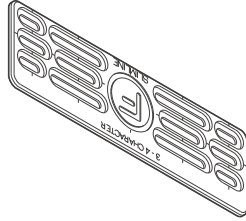
3M DOUBLE
SIDED TAPE
X 4
+
PRIMER
X 1

PARTS AND FITTING KIT

SLIMLINE 3 - 4 CHARACTER NUMBER PLATE BRACKET

PARTS LIST

X 1
SLIMLINE 3 - 4 CHARACTER
NUMBER PLATE BRACKET



X 2
CONNECTOR
BOLT
BLACK STAINLESS
M6 X 20MM



X 2
10G X 25MM
SELF-TAPPING
SCREW +
16mm WASHER



X 2
CONNECTOR
BOLT
BLACK STAINLESS
M6 X 30MM



X 2
10G X 38MM
SELF-TAPPING
SCREW +
16mm WASHER



X 2
DRESS BOLT
BLACK STAINLESS
M5 X 6MM



X 4
STAND OFF
SPACER



X 2
COUNTERSUNK
BLACK STAINLESS
M5 X 6MM



X 4
3M VHB
DOUBLE SIDED
TAPE



X 2
KINGPIN
COVER BOLT
BLACK STAINLESS
M5 X 14MM



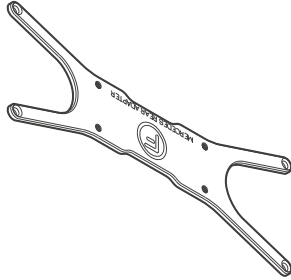
X 1
3M
PRIMER



X 1
4MM
ALLEN KEY



X 1
3MM
ALLEN KEY

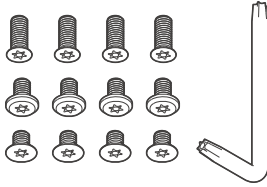


**MERCEDES REAR
ADAPTER PLATE**

Rear Adapter Plate required for
use with Mercedes Benz vehicles.

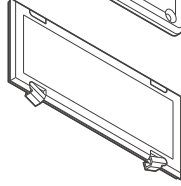
**SECURITY BOLT
PACK OPTION**

Security Bolts with Security Key to
mount number plate to bracket.



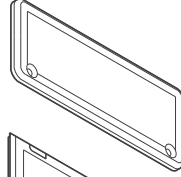
**ALTRIX NUMBER
PLATE COVER**

Altrix number plate covers to suit
Slimline size number plate.



**KINGPIN NUMBER
PLATE COVER**

Kingpin number plate covers to
suit Slimline size number plate.



OPTIONAL ACCESSORIES (SOLD SEPARATELY)