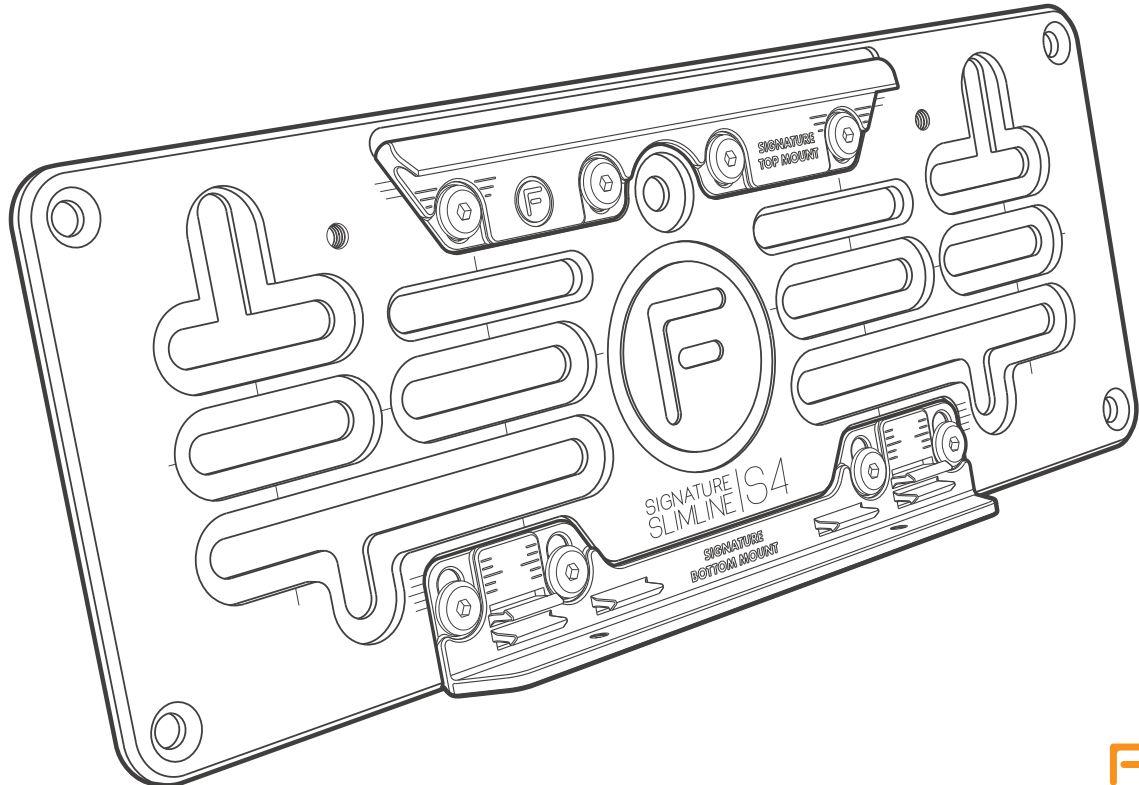




FLOW DESIGNS

SIGNATURE S4 NUMBER PLATE BRACKET

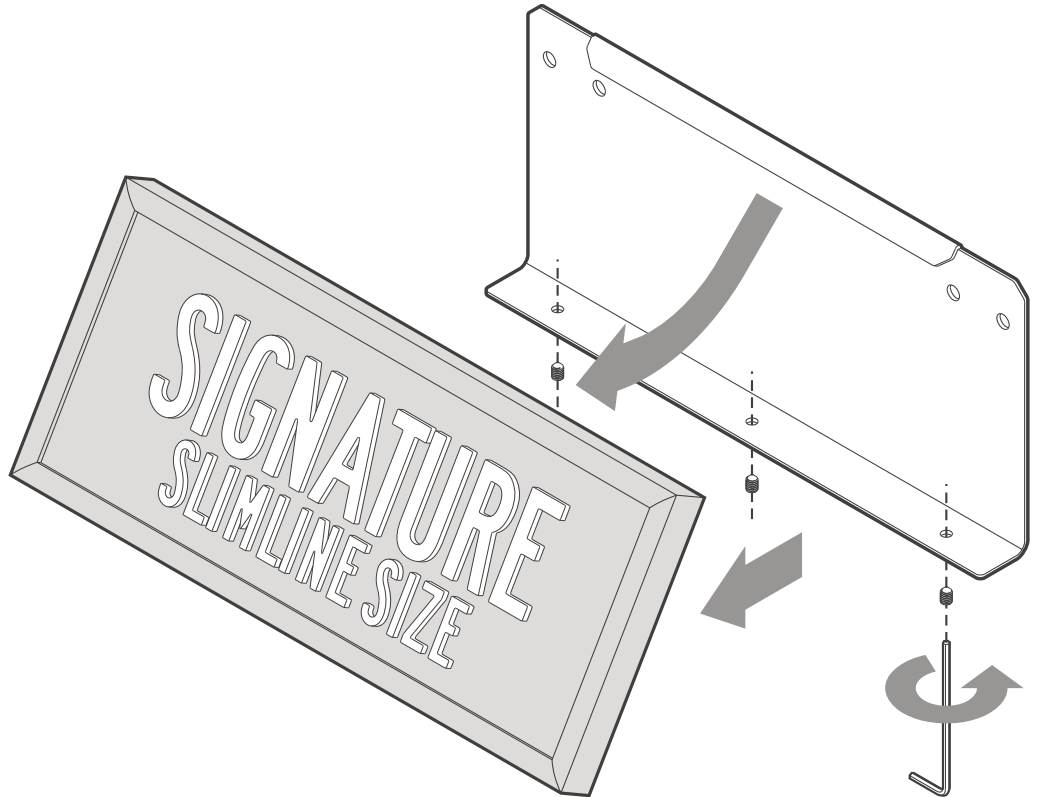


INSTALLATION DIAGRAM - STEP 1

REMOVE EXISTING MOUNTING BRACKET FROM SIGNATURE PLATE

INSTALLATION GUIDE

- Loosen the 3 grub screws located at the bottom edge of the mounting plate bracket.
- Remove existing mounting bracket from Signature Plate prior to installation of Signature S4 Bracket.
- Unclip the Signature Plate from the existing mounting bracket.



INSTALLATION DIAGRAM - STEP 2

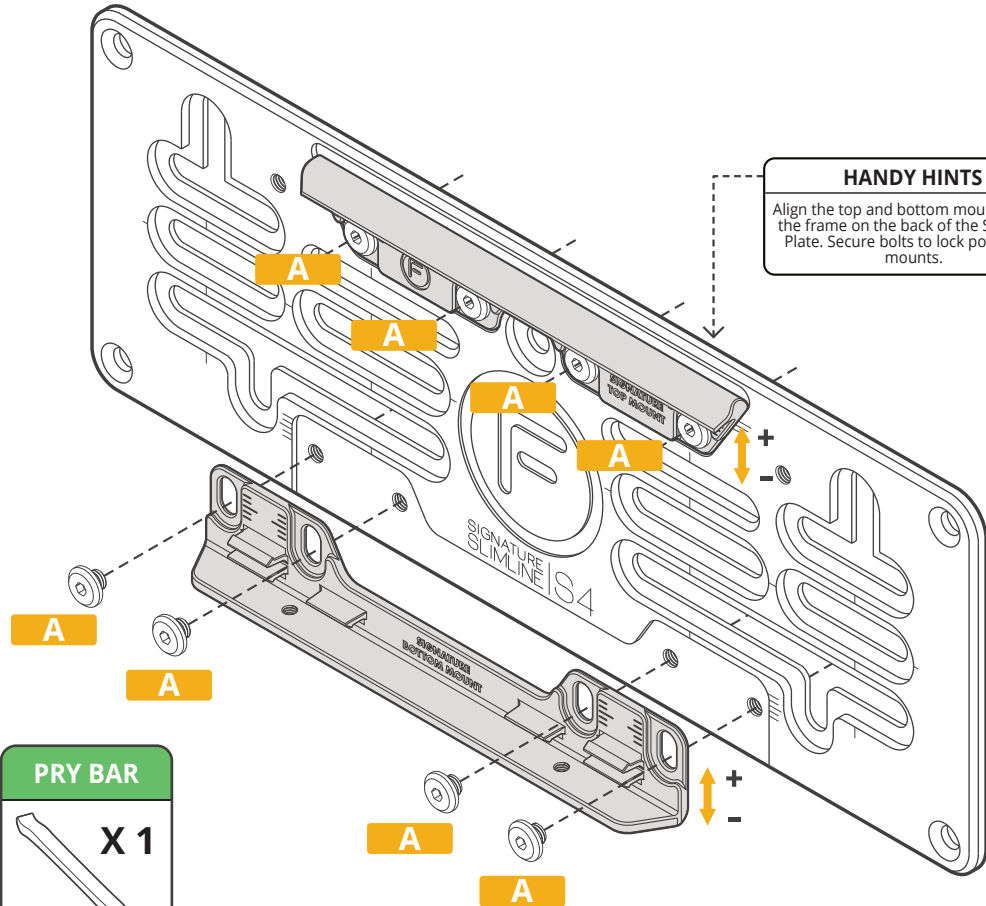
ASSEMBLE TOP AND BOTTOM MOUNTS TO BRACKET

INSTALLATION GUIDE

- Use supplied **Assembly Fitting Kit (A)** to loosely assemble top and bottom mounts to the Signature Plate Bracket.
- Place the Signature Plate over the top and bottom mounts as a guide.
- Centre the frame to the bracket.
- Remove Signature Plate from the mounts, then tighten and lock the bolts to the bracket.
- If the Signature Plate frame clips into the bottom mount, use the supplied pry bar to unclip the frame from the mounts.

HANDY HINTS

Align the top and bottom mounts to suit the frame on the back of the Signature Plate. Secure bolts to lock position of mounts.

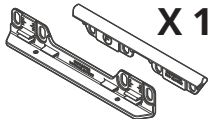


ASSEMBLY FITTING KIT

A

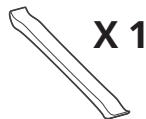
CONNECTOR
BOLT
BLACK STAINLESS
M5 X 4MM
X 8

TOP & BOTTOM
MOUNTS



X 1

PRY BAR



X 1

INSTALLATION DIAGRAM - STEP 3

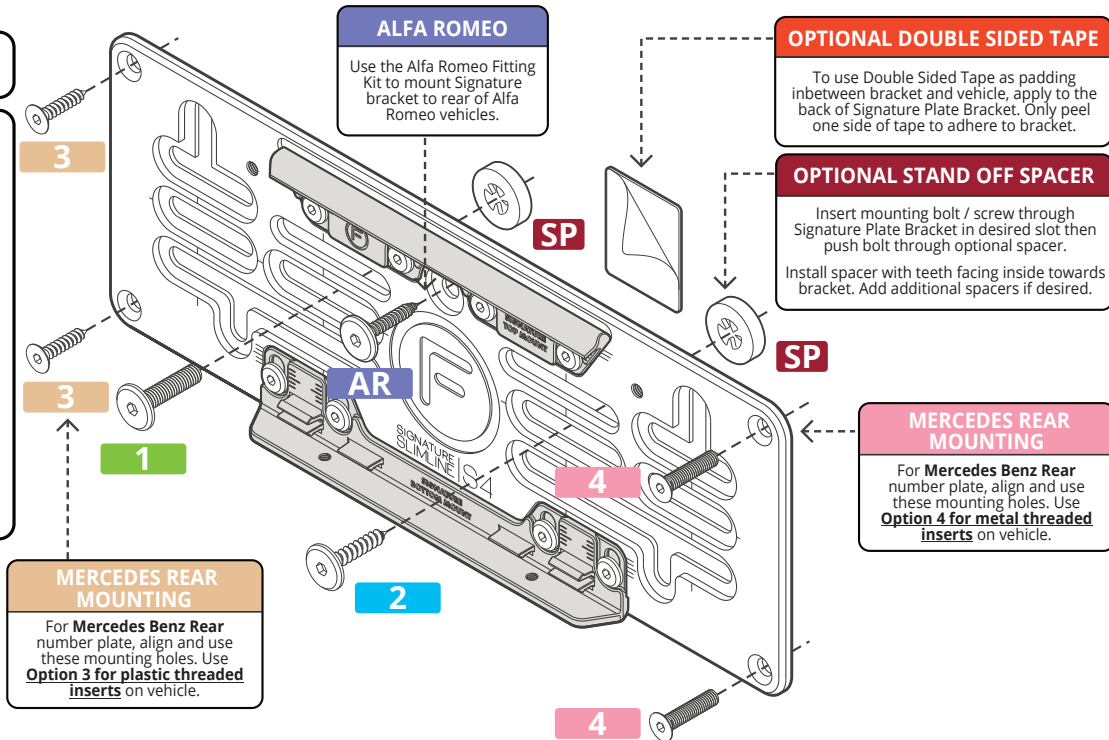
MOUNTING SIGNATURE PLATE BRACKET TO VEHICLE

INSTALLATION GUIDE

- Remove existing number plate from vehicle.
- Choose Bracket Mounting Option to suit vehicle.
 - Option 1** (M6 Connector Bolts)
 - Option 2** (10g Screws)
 - Option 3** (8g Countersunk Screws)
 - Option 4** (M5 Countersunk Bolt)

Insert bolt / screw through Signature Plate Bracket and optional spacer then align to vehicle.

- Tighten Mounting bolts / screws to secure Signature Plate Bracket to vehicle.



OPTIONAL DOUBLE SIDED TAPE

To use Double Sided Tape as padding inbetween bracket and vehicle, apply to the back of Signature Plate Bracket. Only peel one side of tape to adhere to bracket.

OPTIONAL STAND OFF SPACER

Insert mounting bolt / screw through Signature Plate Bracket in desired slot then push bolt through optional spacer. Install spacer with teeth facing inside towards bracket. Add additional spacers if desired.

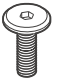


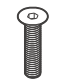



MERCEDES REAR MOUNTING

For Mercedes Benz Rear number plate, align and use these mounting holes. Use **Option 4 for metal threaded inserts** on vehicle.

MERCEDES REAR MOUNTING

For Mercedes Benz Rear number plate, align and use these mounting holes. Use **Option 3 for plastic threaded inserts** on vehicle.

BRACKET FITTING KIT

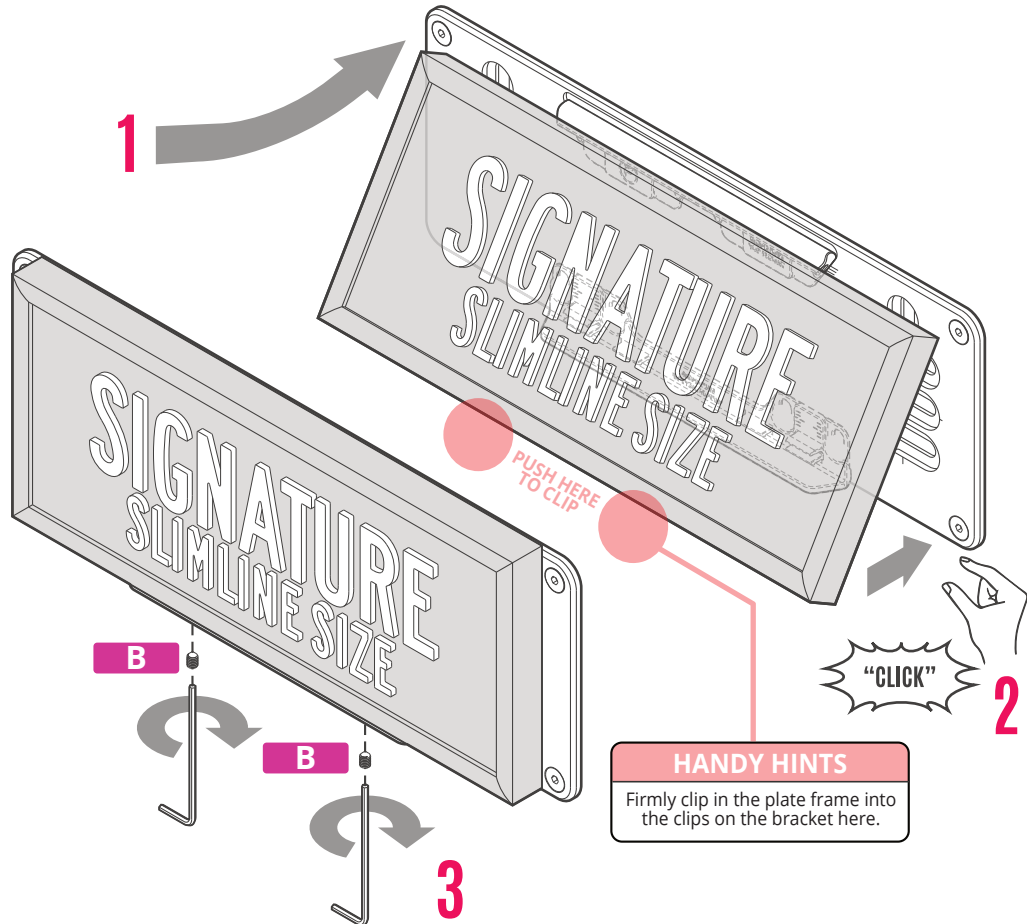
<p>OPTION 1</p>  <p>CONNECTOR BOLT BLACK STAINLESS M6 X 25MM X 2</p>	<p>OPTION 2</p>  <p>M6 DRESS HEAD 10G X 25MM SELF-TAPPING SCREW X 2</p>	<p>OPTION 3</p>  <p>COUNTERSUNK 8G X 20MM SELF-TAPPING SCREW X 4</p>	<p>OPTION 4</p>  <p>COUNTERSUNK BLACK STAINLESS M5 X 20MM X 4</p>	<p>ALFA ROMEO</p>  <p>M6 DRESS HEAD 8G X 25MM SELF-TAPPING SCREW X 3</p>	<p>SPACER</p>  <p>STAND OFF SPACER X 4</p>	<p>DOUBLE SIDED TAPE</p>  <p>X 1</p>
--------------------------------------------------------------------------------------------------------------------------------------------------------------------------------	-----------------------------------------------------------------------------------------------------------------------------------------------------------------------------------------	--------------------------------------------------------------------------------------------------------------------------------------------------------------------------------------	-------------------------------------------------------------------------------------------------------------------------------------------------------------------------------	-------------------------------------------------------------------------------------------------------------------------------------------------------------------------------------------	------------------------------------------------------------------------------------------------------------------------------------------------------	----------------------------------------------------------------------------------------------------------------------------------------

INSTALLATION DIAGRAM - STEP 4

MOUNTING SIGNATURE PLATE TO SIGNATURE PLATE BRACKET

INSTALLATION GUIDE

- Align and centre the Signature Plate frame with the top and bottom mounts on the Bracket.
- Attach Signature Plate by hooking the top mount into the back of the Signature Plate frame.
- Firmly click the plate frame into the bottom mount.
- Insert 2 grub screws into the bottom mount to secure the Signature plate frame.
- Use Allen Key to tighten and firmly hold the plate in place.



NUMBER PLATE FITTING KIT

B



GRUB SCREW
BLACK STAINLESS
M4 X 6MM

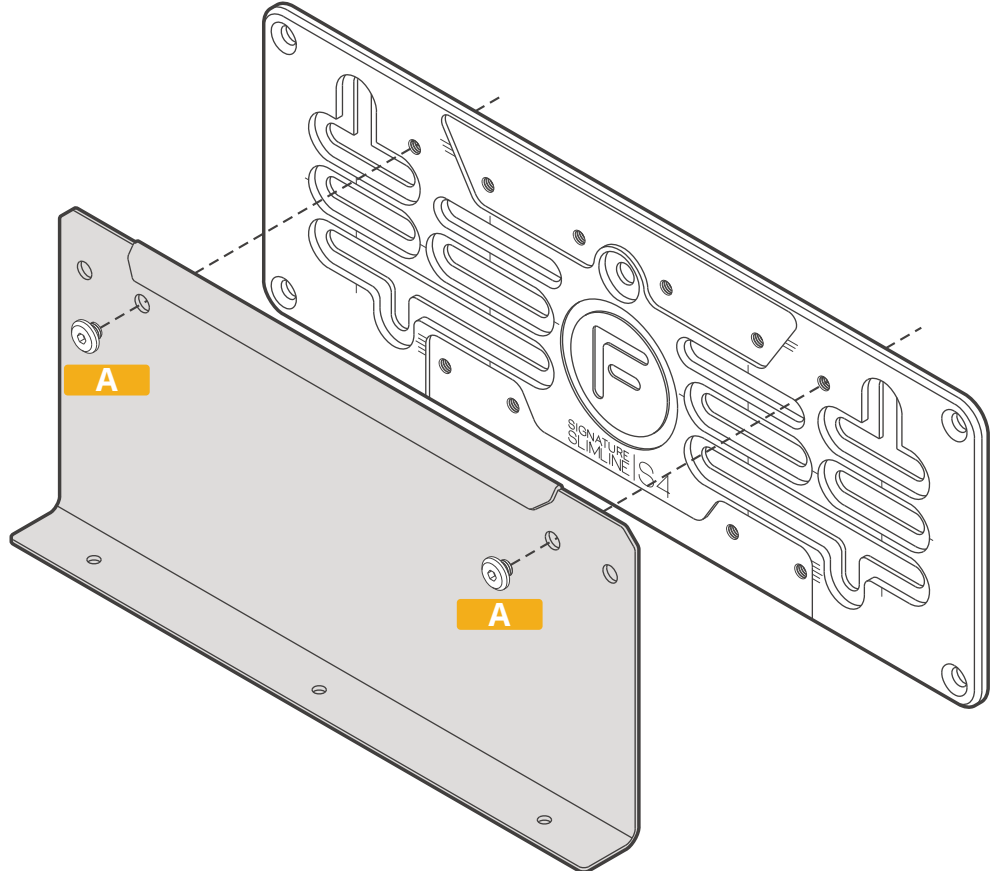
X 2

MOUNTING OPTION 2

MOUNTING EXISTING BRACKET TO SIGNATURE PLATE BRACKET

INSTALLATION GUIDE

- Remove existing mounting bracket from Signature Plate prior to installation of Signature S4 Bracket.
- Install the Signature Plate bracket onto the vehicle without any mounts.
- Align and mount the existing mounting bracket to the Signature Plate Bracket using the supplied fitting kit.



ASSEMBLY FITTING KIT

A



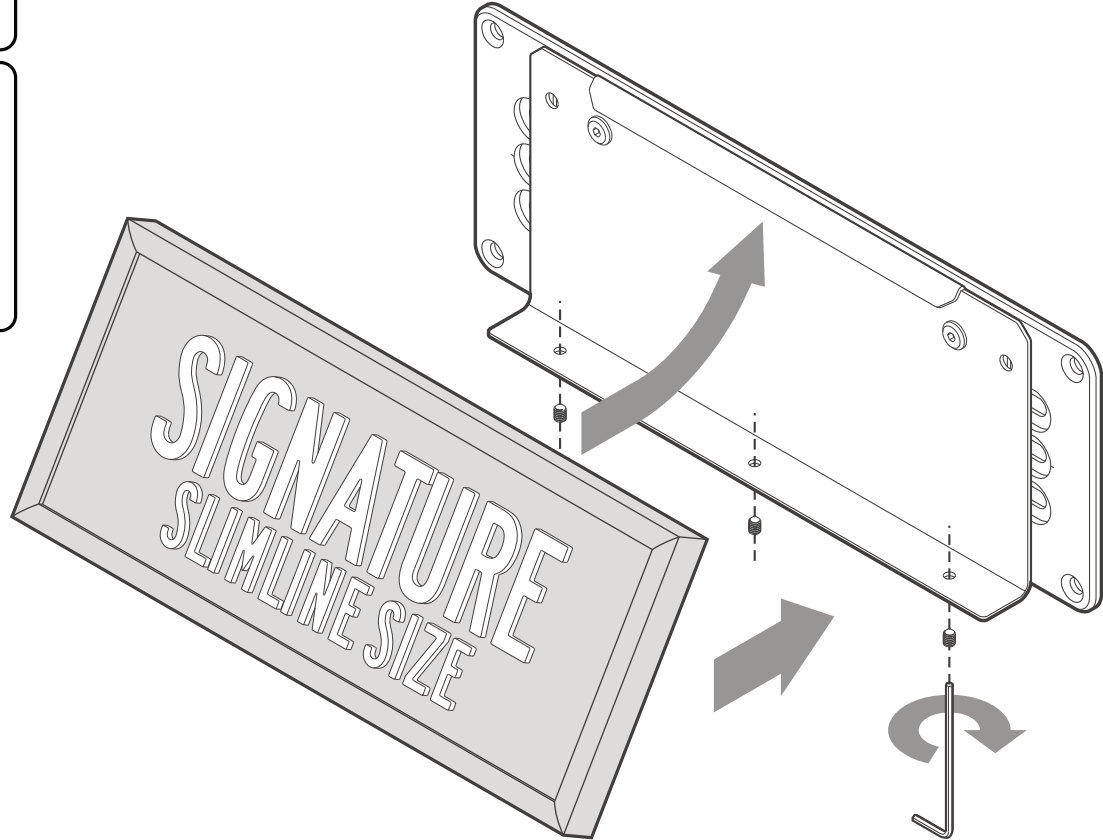
CONNECTOR
BOLT
BLACK STAINLESS
M5 X 4MM
X 8

MOUNTING OPTION 2

MOUNTING SIGNATURE PLATE TO EXISTING BRACKET

INSTALLATION GUIDE

- Attach Signature Plate frame by clipping the top and bottom of the plate into the mounting bracket.
- Insert the original grub screws into the bottom mount to secure the Signature plate frame.
- Use Allen Key to tighten and firmly hold the plate in place.

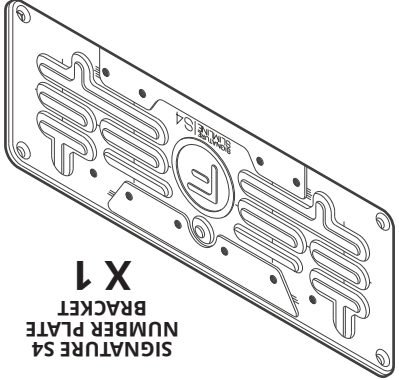


PARTS AND FITTING KIT

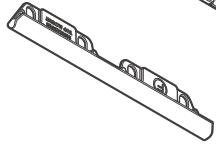
SIGNATURE S4 NUMBER PLATE BRACKET

PARTS LIST

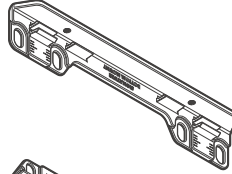
X 1
SIGNATURE S4
NUMBER PLATE
BRACKET



X 1
TOP
MOUNT



X 1
BOTTOM
MOUNT



X 8
CONNECTOR
BOLT
M5 X 4MM
BLACK STAINLESS



X 2
CONNECTOR
BOLT
M6 X 25MM
BLACK STAINLESS



X 4
COUNTERSUNK
SCREW
8G X 20MM
SELF-TAPPING



X 3
ALFA ROMEO
SELF-TAPPING
SCREW
8G X 25MM



X 1
ALLEN KEY
2MM

X 2
M6 DRESS HEAD
SELF-TAPPING
SCREW
10G X 25MM



X 2
GRUB SCREW
BLACK STAINLESS
M4 X 6MM



X 4
COUNTERSUNK
BLACK STAINLESS
M5 X 20MM



X 4
SPACER
STAND OFF



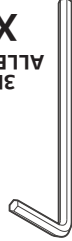
X 4
DOUBLE SIDED
TAPE
3M VHB



X 1
PRY
TOOL



X 1
ALLEN KEY
4MM



X 1
ALLEN KEY
3MM



OPTIONAL ACCESSORIES (SOLD SEPARATELY)