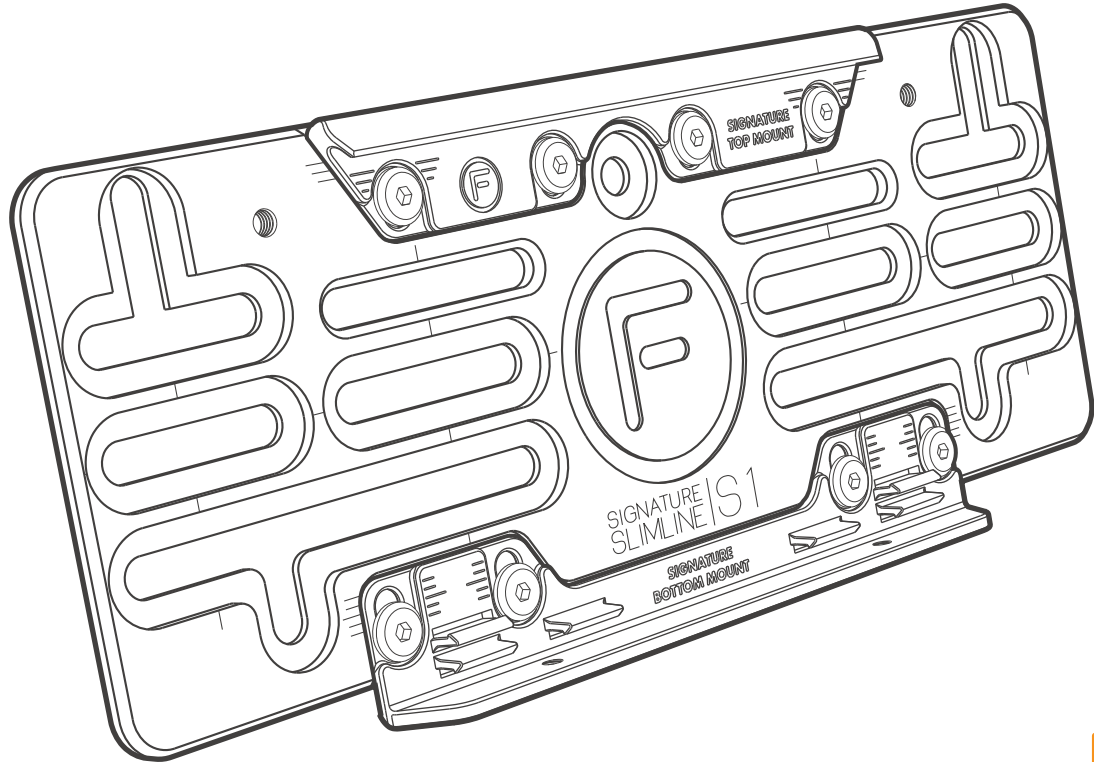




FLOW DESIGNS

SIGNATURE S1 NUMBER PLATE BRACKET

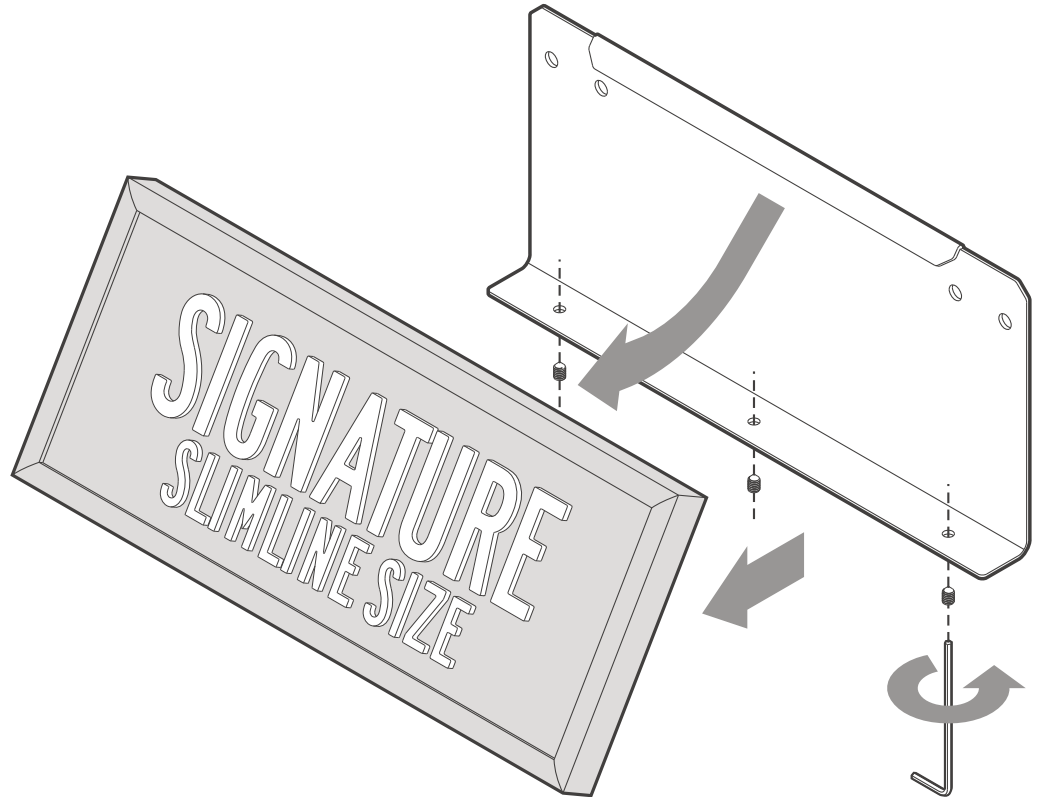


INSTALLATION DIAGRAM - STEP 1

REMOVE EXISTING MOUNTING BRACKET FROM SIGNATURE PLATE

INSTALLATION GUIDE

- Loosen the 3 grub screws located at the bottom edge of the mounting plate bracket.
- Remove existing mounting bracket from Signature Plate prior to installation of Signature S1 Bracket.
- Unclip the Signature Plate from the existing mounting bracket.



INSTALLATION DIAGRAM - STEP 2

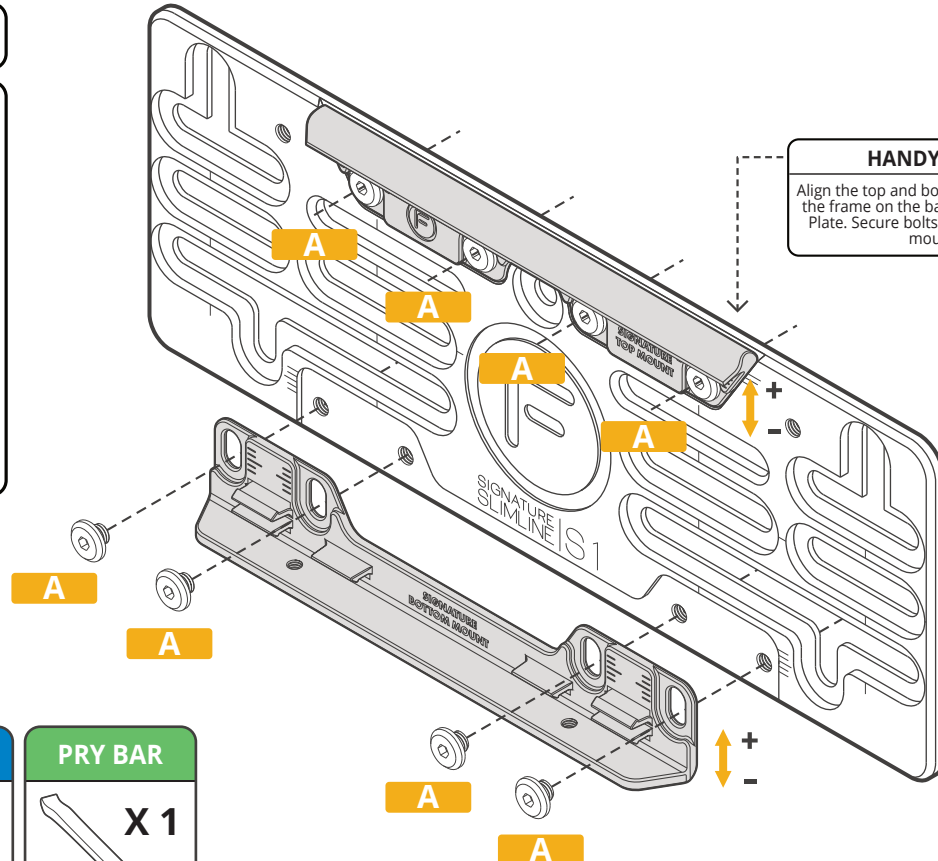
ASSEMBLE TOP AND BOTTOM MOUNTS TO BRACKET

INSTALLATION GUIDE

- Use supplied **Assembly Fitting Kit (A)** to loosely assemble top and bottom mounts to the Signature Plate Bracket.
- Place the Signature Plate over the top and bottom mounts as a guide.
- Centre the frame to the bracket.
- Remove Signature Plate from the mounts, then tighten and lock the bolts to the bracket.
- If the Signature Plate frame clips into the bottom mount, use the supplied pry bar to unclip the frame from the mounts.

HANDY HINTS

Align the top and bottom mounts to suit the frame on the back of the Signature Plate. Secure bolts to lock position of mounts.



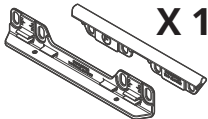
ASSEMBLY FITTING KIT

A



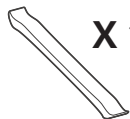
CONNECTOR
BOLT
BLACK STAINLESS
M5 X 4MM
X 8

TOP & BOTTOM
MOUNTS



X 1

PRY BAR



X 1

A

A

INSTALLATION DIAGRAM - STEP 3

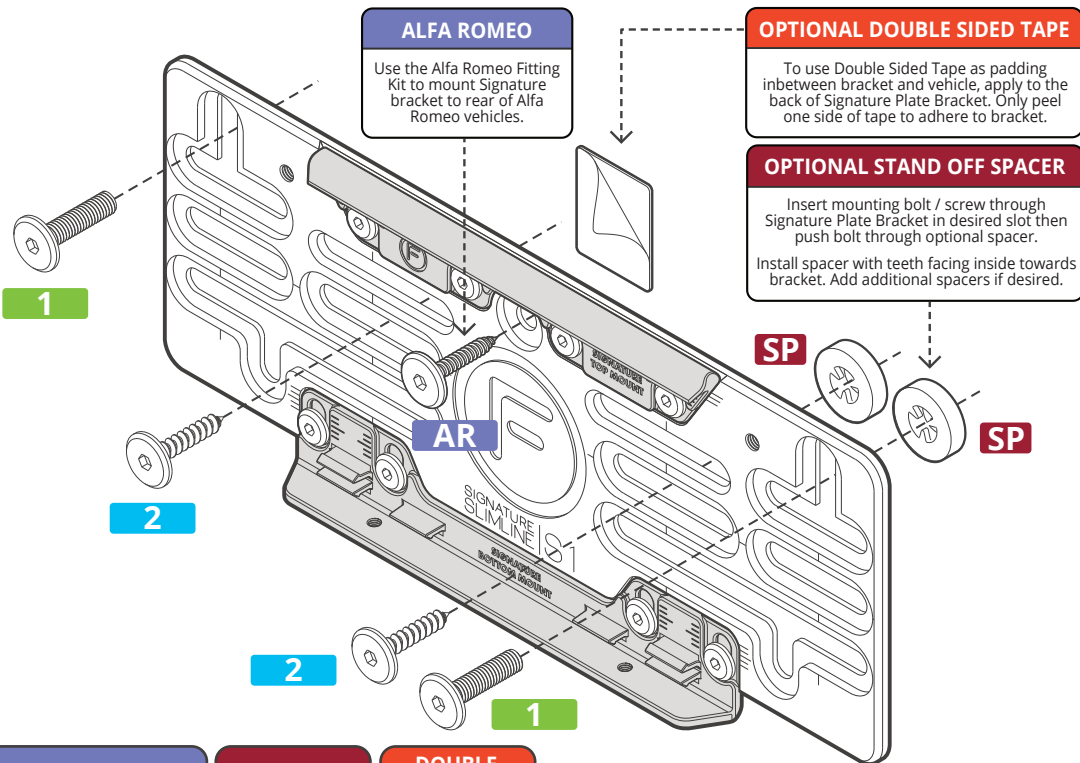
MOUNTING SIGNATURE PLATE BRACKET TO VEHICLE

INSTALLATION GUIDE

- Remove existing number plate from vehicle.
- Choose Bracket Mounting Option to suit vehicle.
 - Option 1** (M6 Connector Bolts)
 - Option 2** (10g Screws)

Insert bolt / screw through Signature Plate Bracket and optional spacer then align to vehicle.

- Tighten Mounting bolts / screws to secure Signature Plate Bracket to vehicle.



BRACKET FITTING KIT

OPTION 1



CONNECTOR BOLT
BLACK STAINLESS
M6 X 25MM
X 2

OPTION 2



M6 DRESS HEAD
10G X 25MM
SELF-TAPPING
SCREW
X 2

ALFA ROMEO



M6 DRESS HEAD
8G X 25MM
SELF-TAPPING
SCREW
X 3

SPACER



STAND OFF
SPACER
X 4

DOUBLE SIDED TAPE



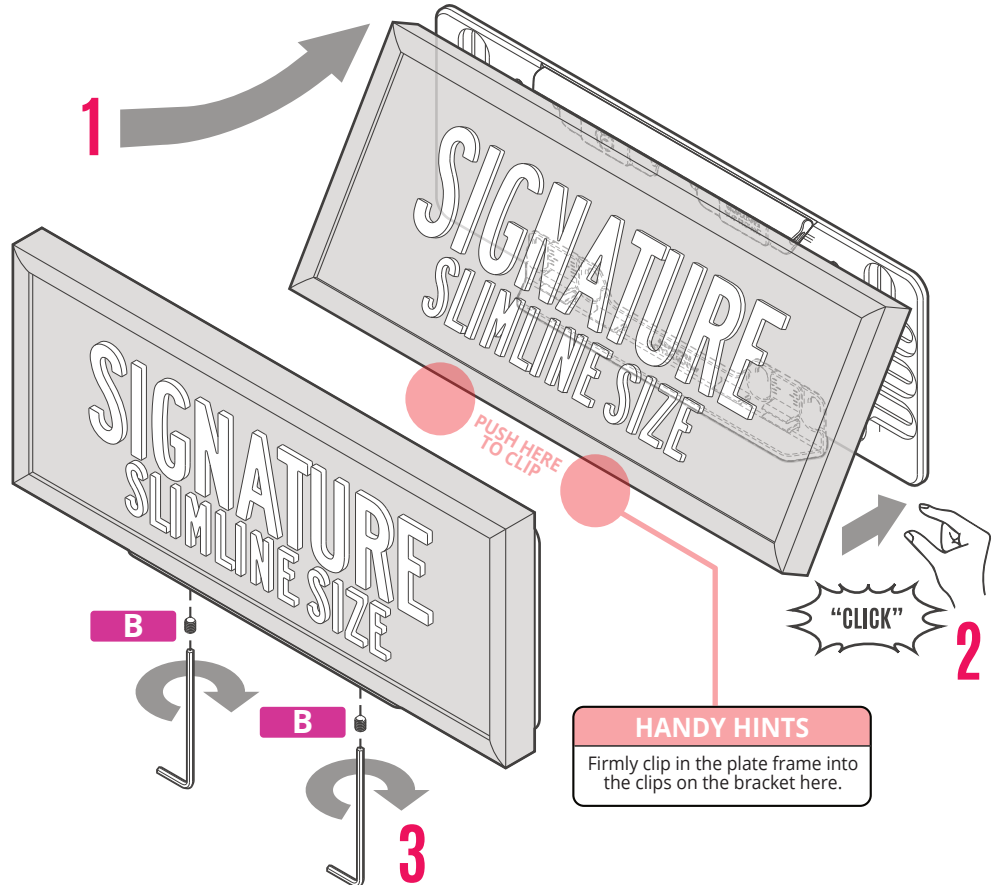
X 1

INSTALLATION DIAGRAM - STEP 4

MOUNTING SIGNATURE PLATE TO SIGNATURE PLATE BRACKET

INSTALLATION GUIDE

- Align and centre the Signature Plate frame with the top and bottom mounts on the Bracket.
- Attach Signature Plate by hooking the top mount into the back of the Signature Plate frame.
- Firmly click the plate frame into the bottom mount.
- Insert 2 grub screws into the bottom mount to secure the Signature plate frame.
- Use Allen Key to tighten and firmly hold the plate in place.



HANDY HINTS

Firmly clip in the plate frame into the clips on the bracket here.

NUMBER PLATE FITTING KIT

B



GRUB SCREW
BLACK STAINLESS
M4 X 6MM

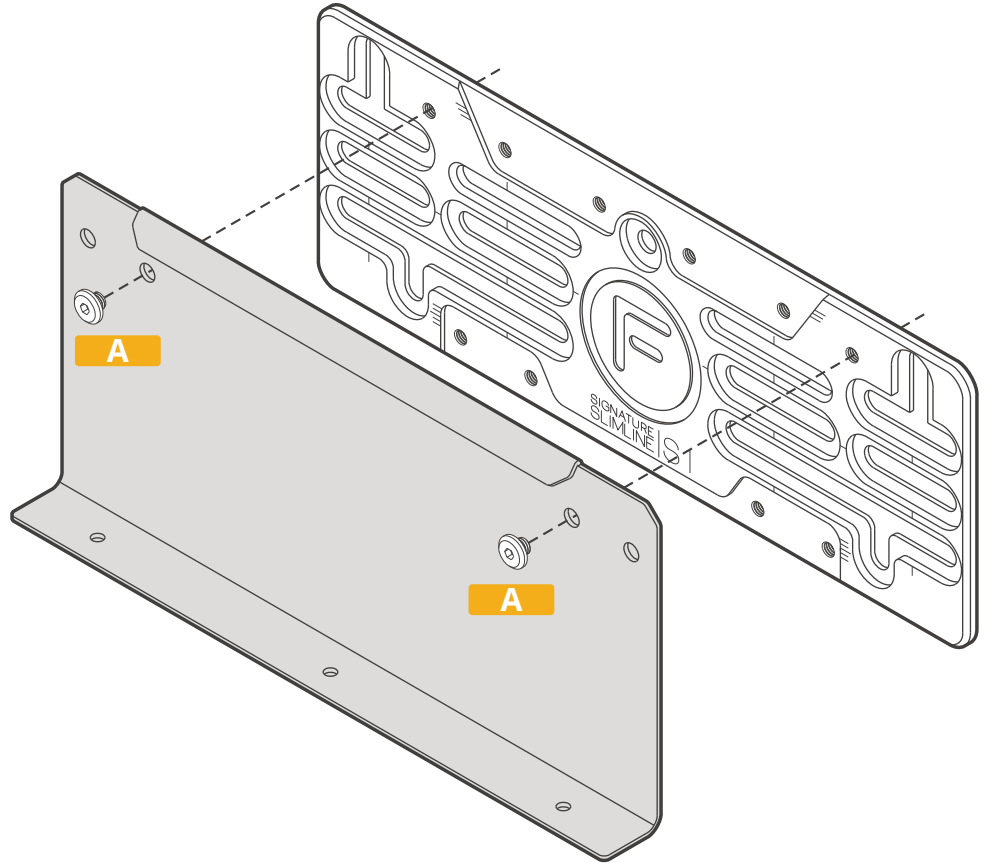
X 2

MOUNTING OPTION 2

MOUNTING EXISTING BRACKET TO SIGNATURE PLATE BRACKET

INSTALLATION GUIDE

- Remove existing mounting bracket from Signature Plate prior to installation of Signature S1 Bracket.
- Install the Signature Plate bracket onto the vehicle without any mounts.
- Align and mount the existing mounting bracket to the Signature Plate Bracket using the supplied fitting kit.



ASSEMBLY FITTING KIT

A



CONNECTOR
BOLT
BLACK STAINLESS
M5 X 4MM

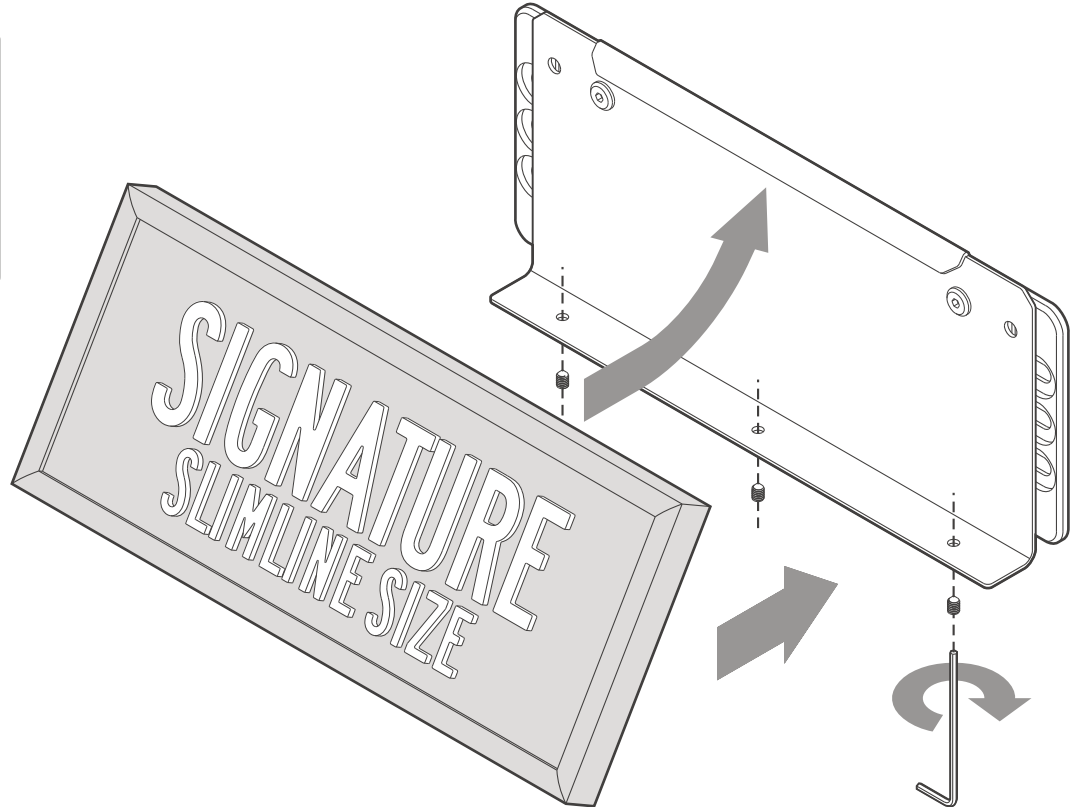
X 8

MOUNTING OPTION 2

MOUNTING SIGNATURE PLATE TO EXISTING BRACKET

INSTALLATION GUIDE

- Attach Signature Plate frame by clipping the top and bottom of the plate into the mounting bracket.
- Insert the original grub screws into the bottom mount to secure the Signature plate frame.
- Use Allen Key to tighten and firmly hold the plate in place.

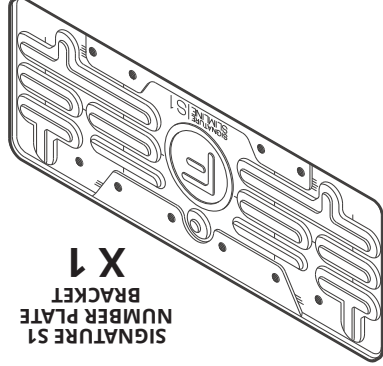


PARTS AND FITTING KIT

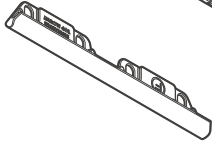
SIGNATURE S1 NUMBER PLATE BRACKET

PARTS LIST

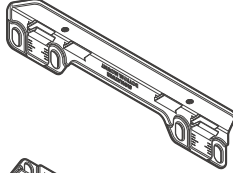
X 1
SIGNATURE S1
NUMBER PLATE
BRACKET



X 1
TOP
MOUNT



X 1
BOTTOM
MOUNT



X 8
M5 X 4MM
BLACK STAINLESS
BOLT
CONNECTOR



X 2
M6 DRESS HEAD
SELF-TAPPING
SCREW



X 2
M6 X 25MM
BLACK STAINLESS
BOLT
CONNECTOR



X 2
GRUB SCREW
M4 X 6MM
BLACK STAINLESS



X 3
ALFA ROMEO
8G X 25MM
SELF-TAPPING
SCREW



X 1
4MM
ALLEN KEY



X 1
3MM
ALLEN KEY



X 1
PRY
TOOL



X 1
2MM
ALLEN KEY



X 4
STAND OFF
SPACER



X 4
3M VHB
DOUBLE SIDED
TAPE



OPTIONAL ACCESSORIES (SOLD SEPARATELY)