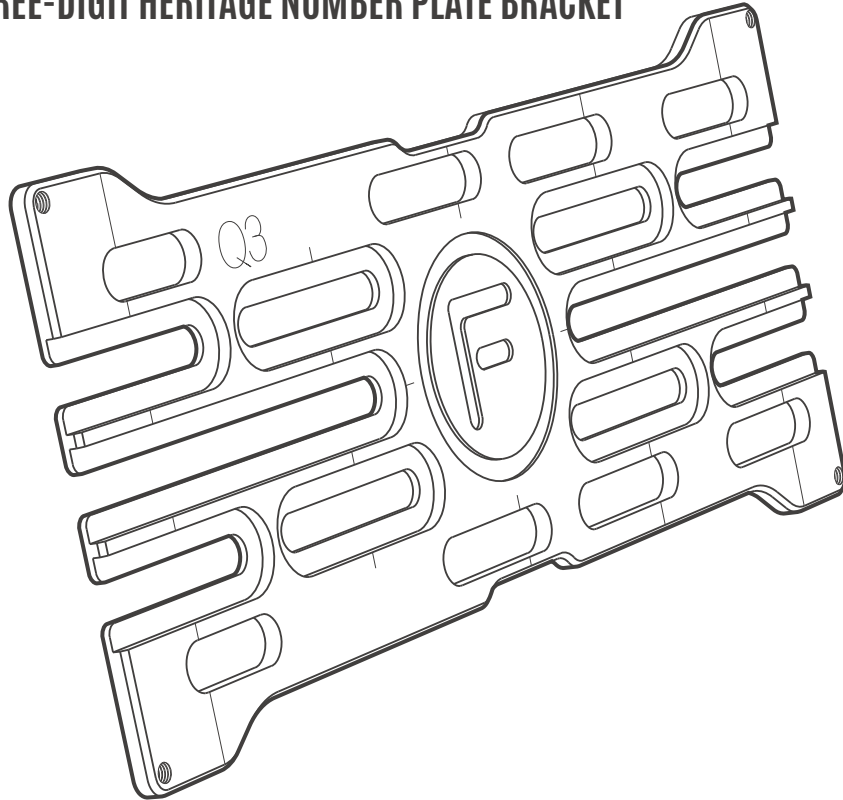




FLOW DESIGNS

Q PLATE THREE-DIGIT HERITAGE NUMBER PLATE BRACKET

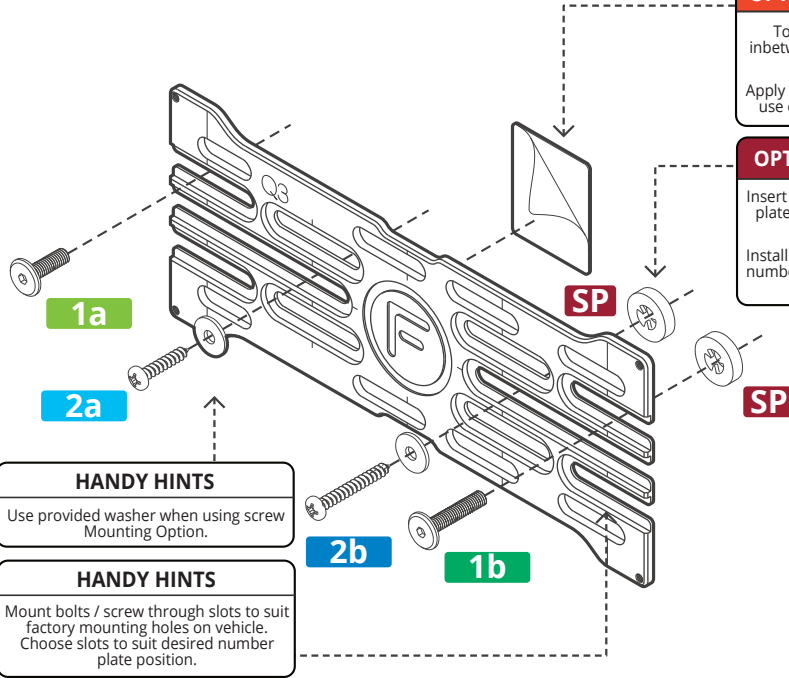


INSTALLATION DIAGRAM - STEP 1

MOUNTING QPLATE THREE-DIGIT HERITAGE NUMBER PLATE BRACKET TO VEHICLE

INSTALLATION GUIDE

- Remove existing number plate from vehicle.
- Choose Bracket Mounting Option to suit vehicle.
 - Option 1** (M6 Connector Bolts)
 - Option 2** (10g Screws)
- Select correct length bolt / screw (**a, b or c**) to suit Mounting Option. Use shorter bolts / screws if spacers are not used.
- Insert bolt / screw through number plate bracket and optional spacer then align to vehicle.
- Tighten Mounting bolts / screws to secure number plate bracket to vehicle.



OPTIONAL DOUBLE SIDED TAPE

To use Double Sided Tape as padding inbetween bracket and vehicle, apply primer to back of Number Plate Bracket. Apply double sided tape to primed area. Only use one side of tape to adhere to bracket.

OPTIONAL STAND OFF SPACER

Insert mounting bolt / screw through number plate bracket in desired slot then push bolt through optional spacer. Install spacer with teeth facing inside towards number plate bracket. Add additional spacers if desired.

HANDY HINTS

Use provided washer when using screw Mounting Option.

HANDY HINTS

Mount bolts / screw through slots to suit factory mounting holes on vehicle. Choose slots to suit desired number plate position.

BRACKET FITTING KIT

OPTION 1a



CONNECTOR BOLT
BLACK STAINLESS
M6 X 20MM
X 2

OPTION 1b



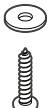
CONNECTOR BOLT
BLACK STAINLESS
M6 X 30MM
X 2

OPTION 1c



CONNECTOR BOLT
BLACK STAINLESS
M6 X 15MM
X 2

OPTION 2a



10G X 25MM
SELF-TAPPING
SCREW
+
16mm WASHER
X 2

OPTION 2b



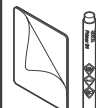
10G X 38MM
SELF-TAPPING
SCREW
+
16mm WASHER
X 2

SPACER



STAND OFF
SPACER
X 4

DOUBLE SIDED TAPE



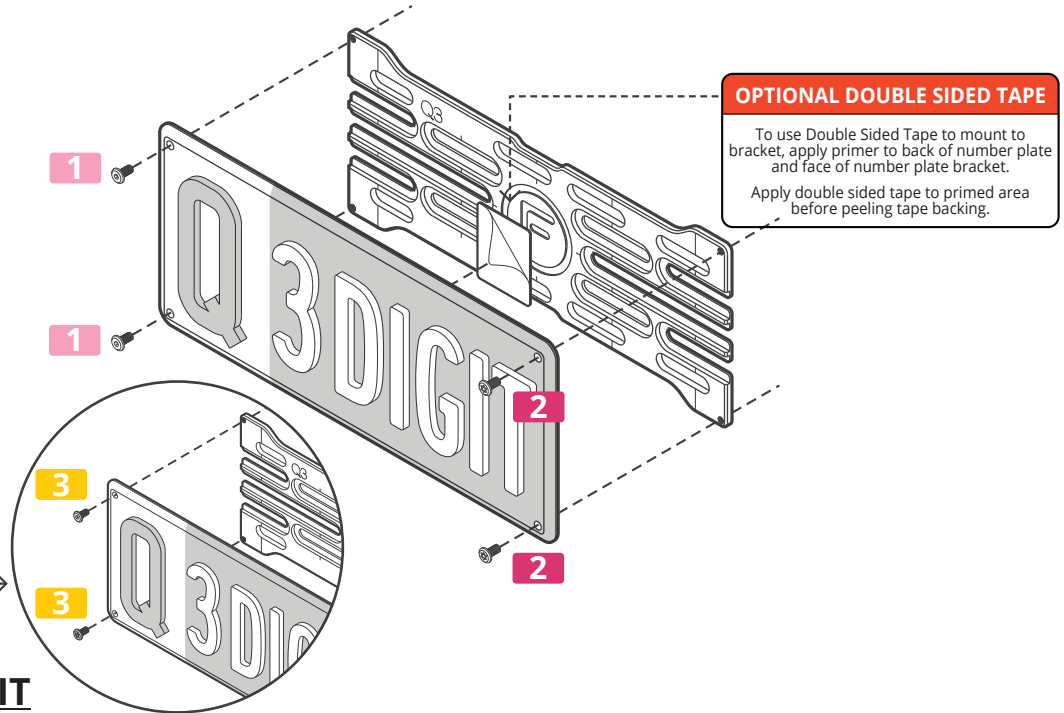
3M DOUBLE
SIDED TAPE
X 4
+
PRIMER
X 1

INSTALLATION DIAGRAM - STEP 2

MOUNTING NUMBER PLATE TO QPLATE THREE-DIGIT HERITAGE NUMBER PLATE BRACKET

INSTALLATION GUIDE

- Choose Plate Mounting Option:
 - **Option 1** (6mm Dress Bolt)
 - **Option 2** (6mm Security Bolt)
 - **Option 3** (6mm White Bolts)
- Insert bolt through Heritage number plate, then align and mount to number plate bracket.
- Tighten Plate Mounting bolts to secure number plate to bracket.



OPTION 3

Optional **White 6mm Bolts** can be used to match white number plate.

NUMBER PLATE FITTING KIT

OPTION 1



DRESS BOLT
BLACK STAINLESS
M4 X 6MM

X 4



SECURITY BOLT
BLACK STAINLESS
M4 X 6MM

X 4

OPTION 3



DRESS BOLT
WHITE STAINLESS
M4 X 6MM

X 2



SECURITY BOLT
WHITE STAINLESS
M4 X 6MM

X 2

DOUBLE SIDED TAPE



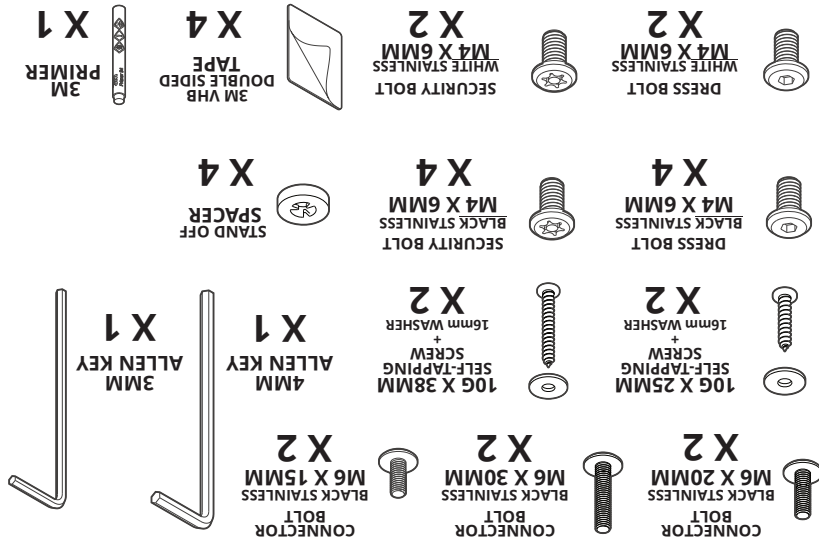
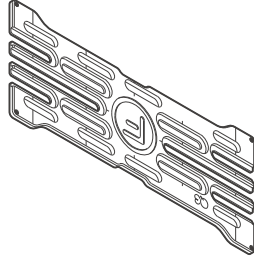
3M DOUBLE
SIDED TAPE
X 4
+
PRIMER
X 1

PARTS AND FITTING KIT

QPLATE THREE-DIGIT HERITAGE NUMBER PLATE BRACKET

PARTS LIST

X 1
QPLATE THREE-DIGIT HERITAGE
NUMBER PLATE BRACKET



OPTIONAL ACCESSORIES (SOLD SEPARATELY)