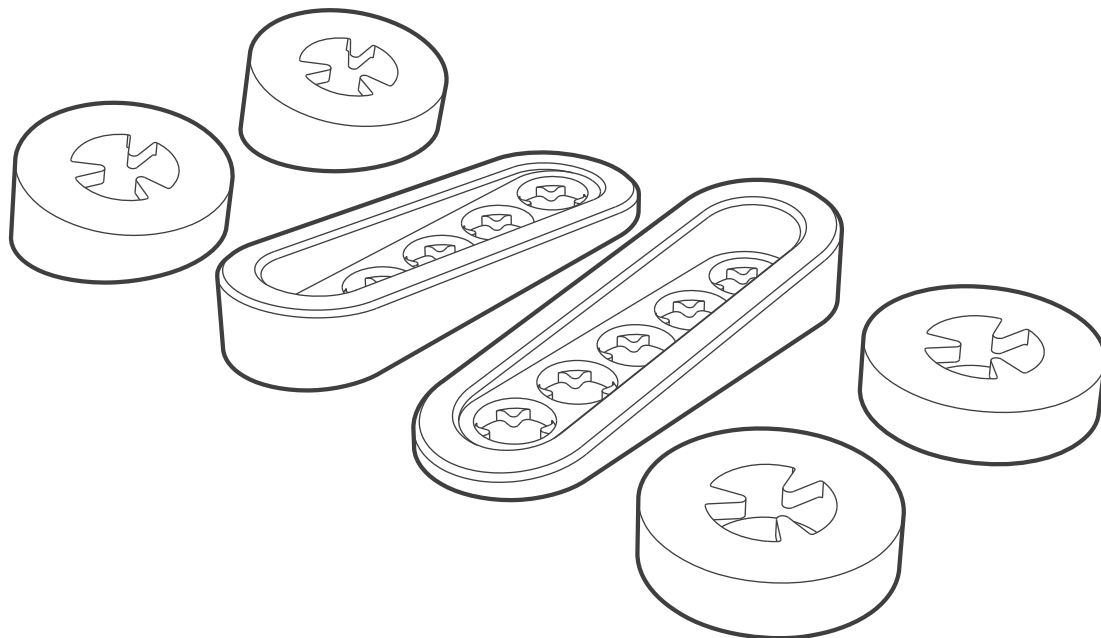




FLOW BRACKETS

ANGLED SPACER KIT



FLOW BRACKETS

THE ELEGANT MOUNTING SOLUTION



#flowbrackets

INSTALLATION DIAGRAM - OPTION 1

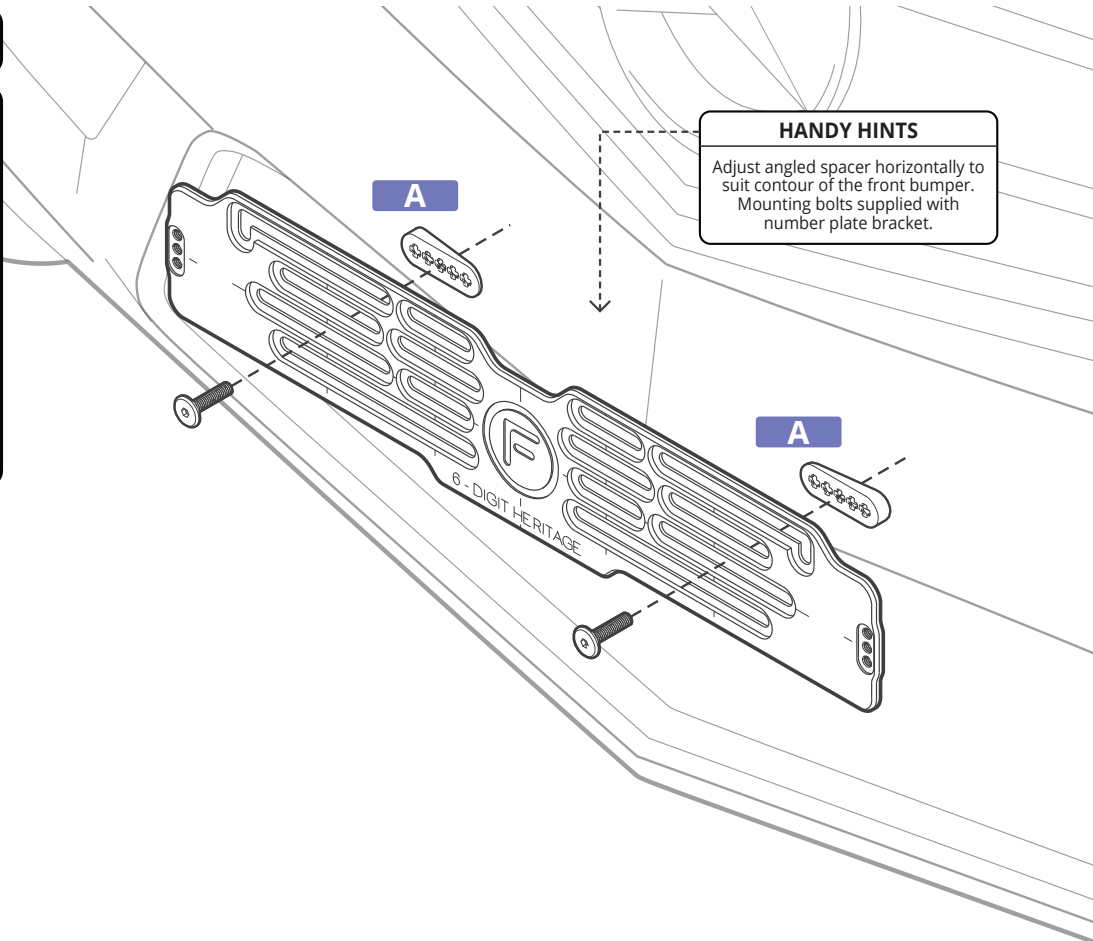
MOUNTING NUMBER PLATE BRACKET WITH LONG ANGLED SPACER

INSTALLATION GUIDE

- Remove existing number plate from vehicle.
- Use desired angled spacer to match the contour of vehicle.
- Insert mounting bolt / screw through number plate bracket in desired slot then push bolt through angled spacer.
- Install spacer with teeth facing inside towards number plate bracket.
- Tighten mounting bolts to secure number plate bracket to vehicle.

HANDY HINTS

Adjust angled spacer horizontally to suit contour of the front bumper. Mounting bolts supplied with number plate bracket.



A

LONG ANGLED
SPACER

X 2

INSTALLATION DIAGRAM - OPTION 2

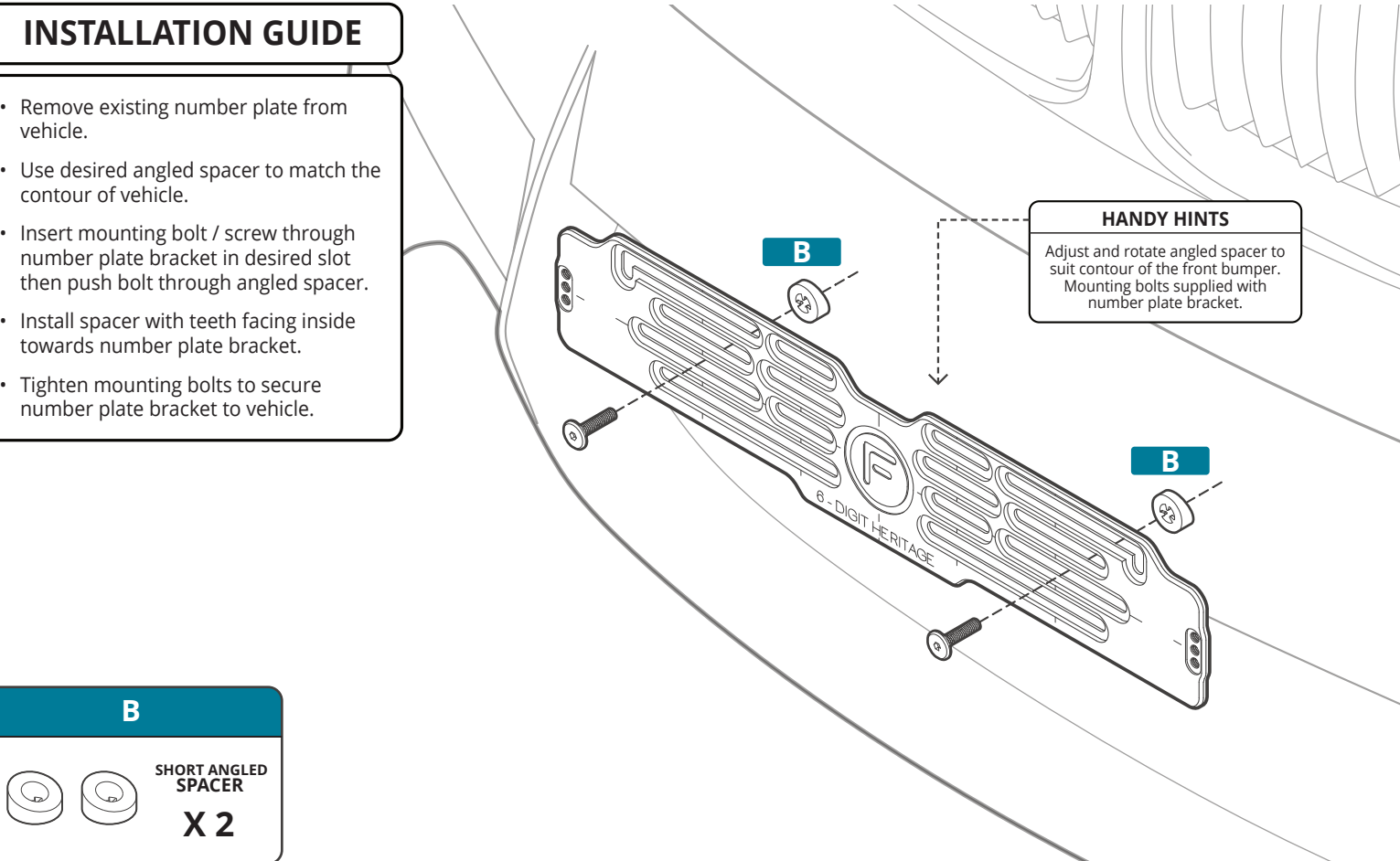
MOUNTING NUMBER PLATE BRACKET WITH SHORT ANGLED SPACER

INSTALLATION GUIDE

- Remove existing number plate from vehicle.
- Use desired angled spacer to match the contour of vehicle.
- Insert mounting bolt / screw through number plate bracket in desired slot then push bolt through angled spacer.
- Install spacer with teeth facing inside towards number plate bracket.
- Tighten mounting bolts to secure number plate bracket to vehicle.

HANDY HINTS

Adjust and rotate angled spacer to suit contour of the front bumper.
Mounting bolts supplied with number plate bracket.



B



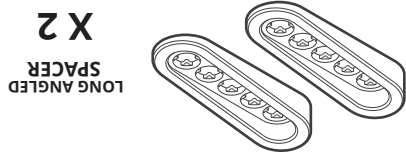
SHORT ANGLED
SPACER

X 2

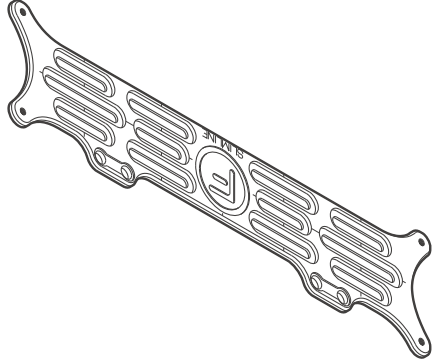
PARTS AND FITTING KIT

ANGLED SPACER KIT

PARTS LIST

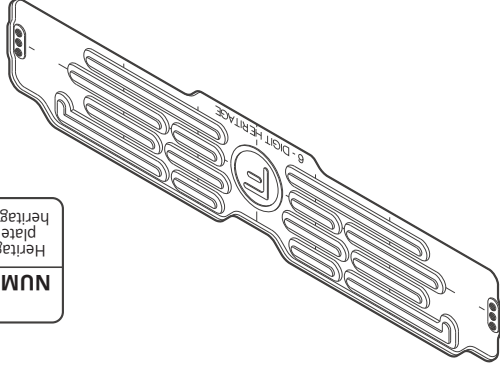


OPTIONAL ACCESSORIES (SOLD SEPARATELY)



SLIMLINE NUMBER PLATE BRACKET

Slimline number plate bracket required to install Slimline number plate with spacer.



HERITAGE NUMBER PLATE BRACKET

Heritage number plate bracket required to install heritage number plate with spacer.