

Please keep this manual as it contains important information.

Burleigh Wagon • Instruction and assembly manual

**FOR STEP BY STEP INSTRUCTIONS WATCH ASSEMBLY VIDEO
ON BURLEIGH WAGON WEBSITE: /INFO/INSTRUCTION MANUAL**

www.burleighwagon.com/pages/instruction-use-and-care-manual



FOR ASSEMBLY VIDEO VISIT WEBSITE:

www.burleighwagon.com/pages/instruction-use-and-care-manual

Quick Start Guide

Please keep this manual as it contains important information.

Welcome to the Burleigh Wagon Family!

We appreciate your choice in purchasing the Burleigh Wagon, the world's most versatile wagon thoughtfully designed by parents. Enclosed in this package, you will find comprehensive instructions to assist you in maximizing the potential of your Burleigh Wagon.

By carefully following this manual, you will be able to fully enjoy and utilize the features of your wagon as intended.

Please be advised that strict adherence to these instructions is crucial, as any damage resulting from failure to comply will not be covered under warranty."

FOR ASSEMBLY VIDEO VISIT WEBSITE:

www.burleighwagon.com/pages/instruction-use-and-care-manual

WARNING

MAX WEIGHT CAPACITY 330 LBS (150KG)

AGES: 6 MONTHS+

ADULT ASSEMBLY REQUIRED

- Keep these instructions for future reference.
- Prior to assembly, this package contains small parts: hardware which is a choking hazard and may contain sharp edges and sharp points. Keep away from children until assembled.
- When not pulled by an adult, avoid using this wagon near swimming pools, on or near steps, hills, roadways or inclines.
- Capacity: Total weight capacity 330LBS (150KG).
- Capacity: Passenger capacity 44LBS (20KG) per seat x 4 seats.
- This product is intended for use by children ages 6 months - 14 years.
- Thoroughly wash snack tray area before contact with food or beverage.
- Adult supervision required. Do not leave children unattended.
- Protect your eyes. Always wear safety glasses when using a hammer/mallet.

Quick Start Guide

Please keep this manual as it contains important information.

Included in the box:

- Instruction manual
 - Burleigh Wagon (body, small door, side wall, cup holder, rear door, seats)
 - 5th wheel (plastic piece with brakes)
 - Handle with safety strap
 - 4 wheels
 - 2 axle rods for wheels
 - 1 rod for handle/5th wheel connection
 - 4 spacers for wheels. 2 BLACK for back wheels and 2 WHITE for 5th wheel
 - 5 large wave pins, 3 small wave pins
 - Ring spanner, Allen Key
 - Hardware for 5th wheel assembly
 - *Optional accessories (if purchased)
-

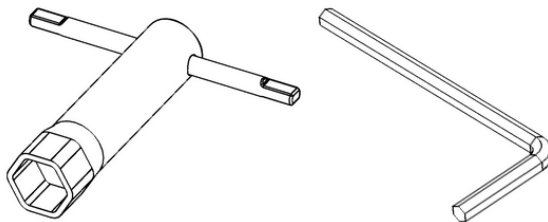
Tools Needed for Assembly - Adult Assembly Required

Tools Required (not included)

1. Mallet and/or Hammer
2. Screwdriver
3. Block

Tools Required (included)

1. Ring spanner – also used for star washer installation
2. Allen key



Quick Start Guide

Please keep this manual as it contains important information.



TO AVOID
INJURY OR DEATH

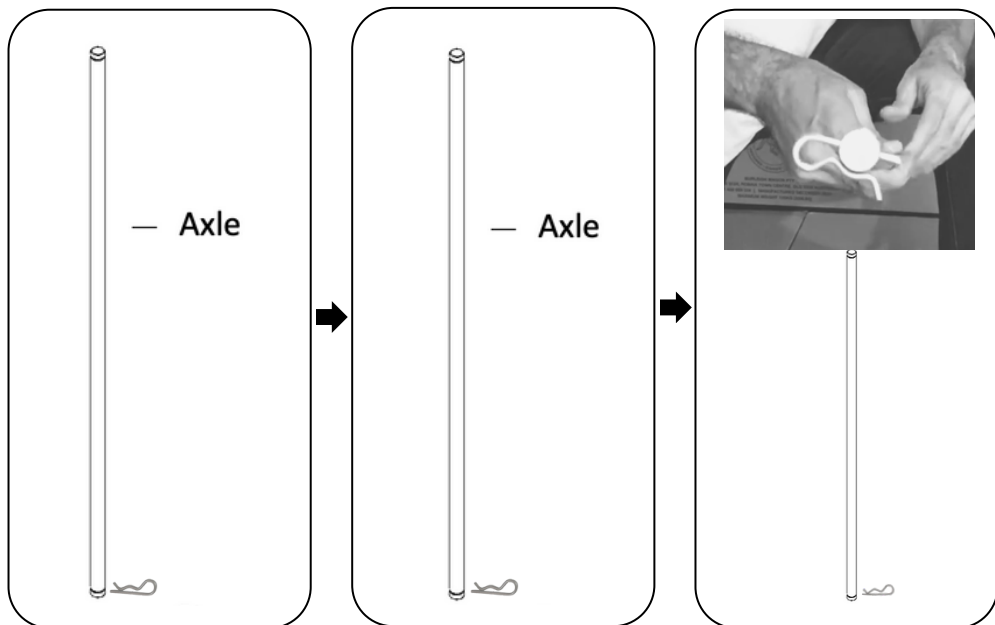
- PRIOR TO ASSEMBLY, THIS PACKAGE CONTAINS SMALL PARTS/HARDWARE WHICH IS A CHOKING HAZARD AND MAY CONTAIN SHARP EDGES AND SHARP POINTS. KEEP AWAY FROM CHILDREN UNTIL ASSEMBLED.
 - CHILD MUST BE 6 MONTHS OF AGE TO RIDE IN THE WAGON.
 - WHEN NOT PULLED BY AN ADULT, AVOID USING THIS WAGON NEAR SWIMMING POOLS, ON OR NEAR STEPS, HILLS, ROADWAYS OR INCLINES.
 - FOLLOW THE MANUFACTURER'S INSTRUCTIONS.
 - ALWAYS APPLY THE BREAKS WHENEVER THE WAGON IS STATIONARY.
 - MAKE SURE CHILDREN ARE CLEAR OF ANY MOVING PARTS IF YOU ADJUST THE WAGON, OTHERWISE THEY MAY BE INJURED.
 - AVOID SERIOUS INJURY FROM FALLING OR SLIDING OUT. ALWAYS USE SEATBELT HARNESS AT ALL TIMES FOR ALL RIDERS.
 - SECURE THE CHILD IN THE HARNESS AT ALL TIMES.
 - CHILDREN MUST WEAR SEATBELTS AT ALL TIMES.
 - ALL RIDERS MUST ALWAYS BE UNDER DIRECT ADULT SUPERVISION.
 - ENSURE ALL SCREWS, NUTS, WASHERS, ETC. ARE FIRM AND TIGHT PRIOR TO FIRST USE AND PERIODICALLY CHECK THESE TO AVOID POSSIBLE INJURY/DAMAGE.
 - KEEP AWAY FROM CHILDREN UNTIL ASSEMBLED.
 - EXCESSIVE WEIGHT MAY CAUSE A HAZARDOUS UNSTABLE CONDITION TO EXIST.
 - UNSTABLE HAZARDOUS CONDITIONS MAY EXIST IF PACKAGE CARRYING ACCESSORIES ARE ADDED ONTO THE WAGON.
 - MAXIMUM TOTAL WEIGHT CAPACITY 330LBS (150KG).
 - WASH WAGON BEFORE CONTACT WITH FOOD OR BEVERAGE.
 - PROTECT YOUR EYES. ALWAYS WEAR SAFETY GLASSES WHEN USING TOOLS AND ASSEMBLING PRODUCT.
 - FALL HAZARD. WHEEL CAN DETACH AND CAUSE TIP OVER. PULL ON THE WHEELS TO ASSURE THEY ARE SECURELY ATTACHED.
 - USE THE TETHER STRAP TO STOP THE WAGON ROLLING AWAY.
 - 2 ADULTS REQUIRED TO LIFT WAGON IN/OUT OF STORAGE.
 - MAXIMUM BEARING CAPACITY OF FRONT CUP HOLDER IS 6.5LBS (3KG)
-
- DO NOT LEAVE CHILDREN UNATTENDED.
 - DO NOT CARRY EXTRA CHILDREN OR BAGS ON WAGON, OR MAY BECOME UNSTABLE.
 - DO NOT LET CHILDREN STAND UP IN THE WAGON.
 - NOT RECOMMENDED FOR A CHILD UNDER 6 MONTHS OF AGE.
 - NEVER RUN OR WALK FAST WHILE PULLING/PUSHING THE WAGON.

Quick Start Guide

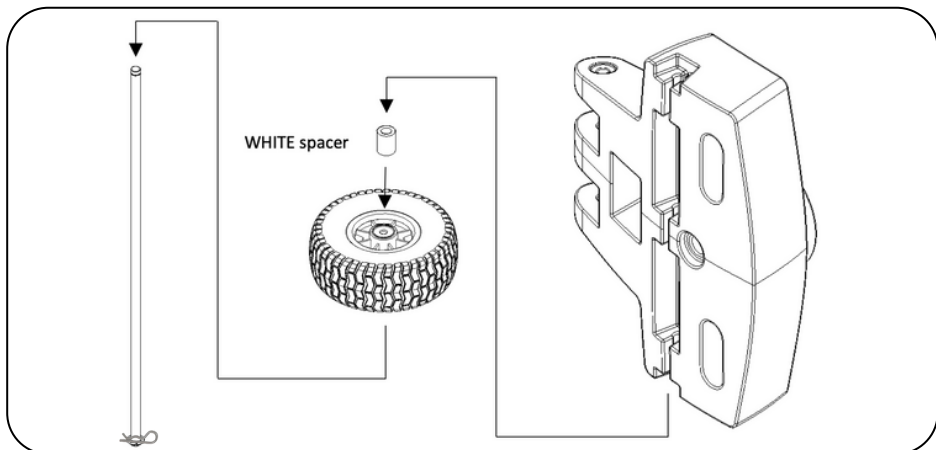
Please keep this manual as it contains important information.

STEP 1 - ATTACH 2 TIRES TO 5TH WHEEL.

1. Take one of the provided rods. Locate the hole at the bottom of the rod. Take a wave pin and insert it into the hole. Repeat this process for all three rods that are included in the package. For the longer rods, use the large pins, for the shorter rod, use the small pin.



2. Add tire, WHITE spacer, then slide the 5th wheel onto the rod.



Quick Start Guide

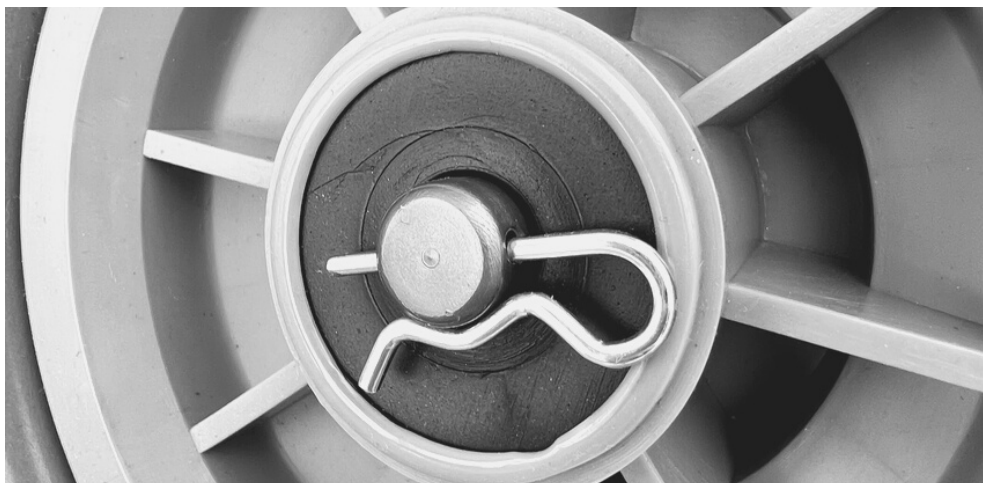
Please keep this manual as it contains important information.

Correct pin positioning is imperative for security & stability of the pin. If inserted incorrectly, pins will fall out during use.

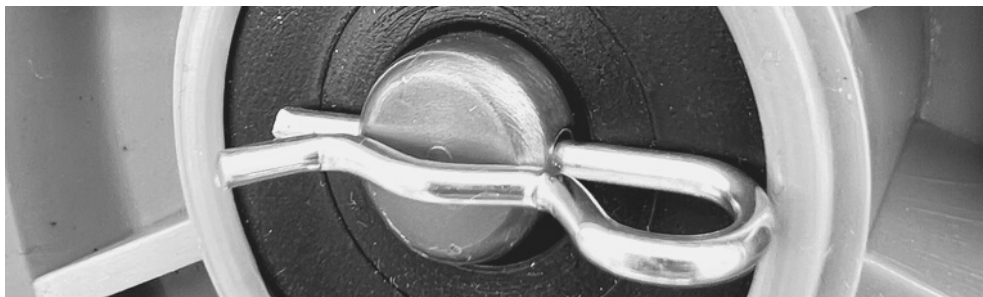
Insert the pin into the rod so the wave curve of the pin hugs the rod flush. Pin should face parallel to wagon body. (see correct photo below).



CORRECT



INCORRECT

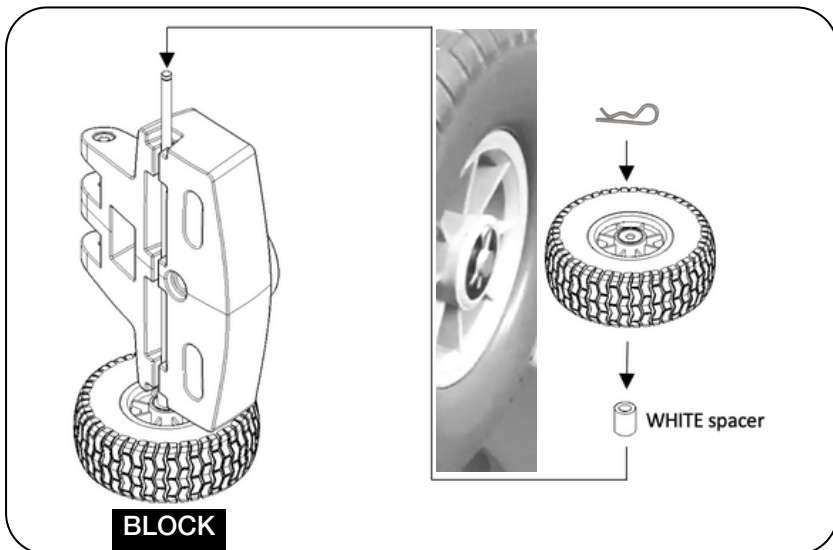


Quick Start Guide

Please keep this manual as it contains important information.

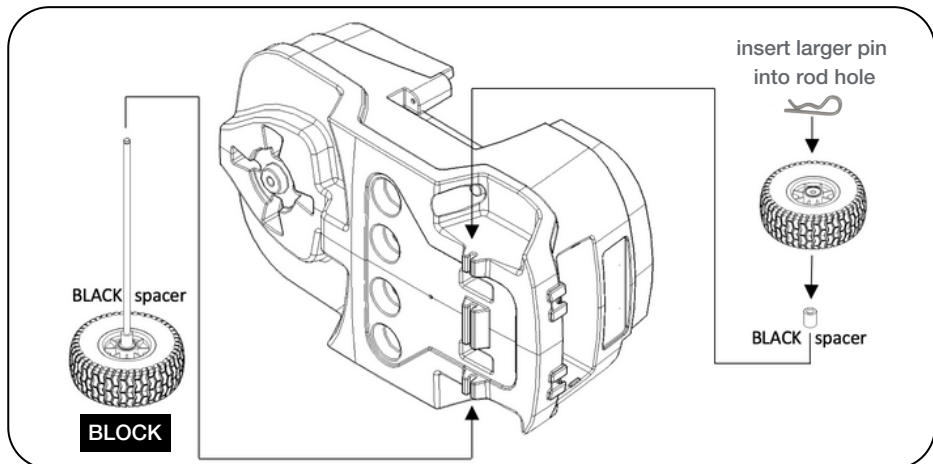
STEP 1 - ATTACH 2 TIRES TO 5TH WHEEL.

3. Turn 5th wheel on its side. Next, place a block on the floor & 5th wheel on top. Add WHITE spacer to end of rod, then add your tire. Then insert the large wave pin through the hole on top of the rod.



STEP 2 - ATTACH TIRES TO WAGON BODY.

Repeat step 1 (as above) but with wagon body instead of 5th wheel & BLACK spacers instead of the white.

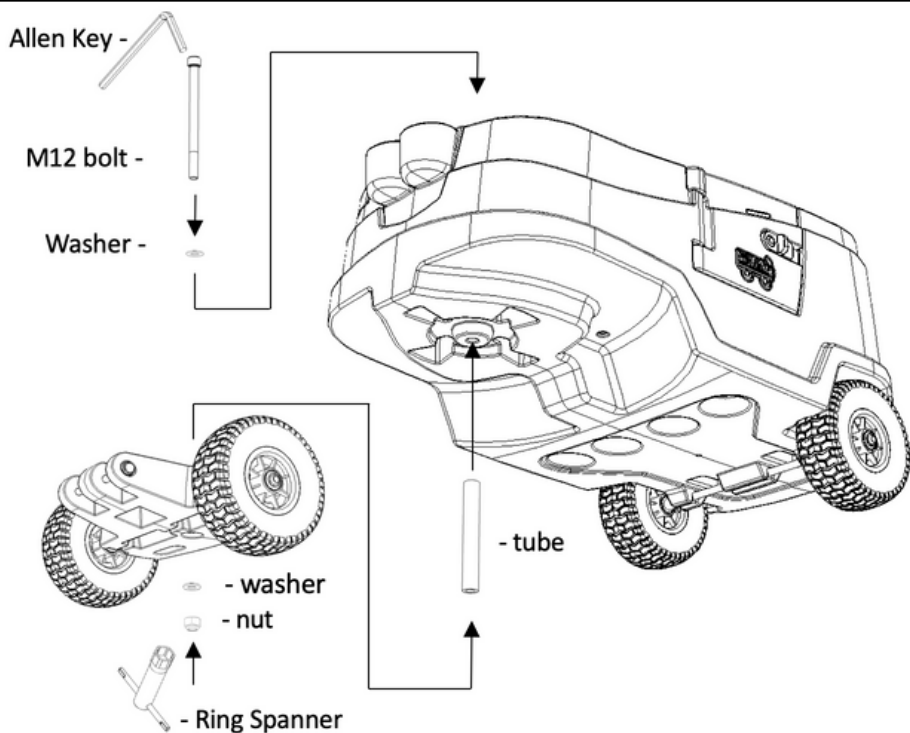


Quick Start Guide

Please keep this manual as it contains important information.

STEP 3 - ATTACH 5TH WHEEL TO WAGON.

- Insert the tube into the top hole on the 5th wheel. Use the mallet if needed.
- Add a washer onto the bolt and insert the bolt through the hole in the main body of the wagon located on the inside of the front esky/ice chest compartment (below cup holders).
- Attach the wagon body to the 5th wheel by lifting up the body of the wagon, and inserting the bolt into the tube.
- Place a washer then a nut onto the bottom of the bolt.
- Use the provided Allen Key and Ring Spanner to tighten the nut on the bolt.

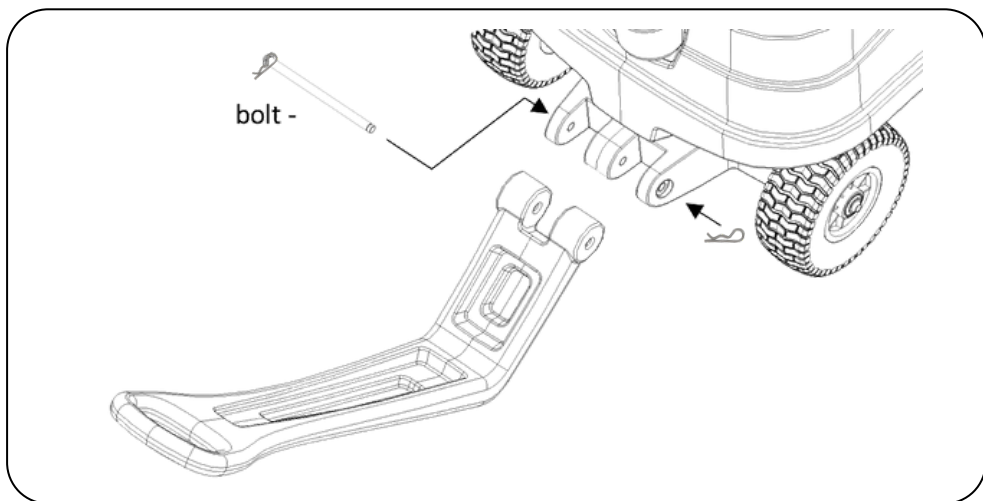


Quick Start Guide

Please keep this manual as it contains important information.

STEP 4 - ATTACH HANDLE TO 5TH WHEEL.

Align your wagon handle with the 5th wheel, ensuring that the holes on both parts are lined up. Slide the short rod through the aligned holes to join the wagon handle and the 5th wheel. If necessary, use a mallet to gently tap the rod through. Once the rod is through all the holes, insert the small wave pin through the hole of the rod.



Quick Start Guide

Please keep this manual as it contains important information.

Care and Maintenance

The Burleigh Wagon was designed for easy care and maintenance. After each use we recommend to remove all salt water, sand, and dirt by hosing with fresh water or wiping down with a wet cloth. Remove speaker accessory and umbrella prior to hosing with fresh water. Use a soft brush to gently remove any sand or dirt from the wagon. Dry off wheels and axle rods completely. Good cleaning and maintenance will keep your Burleigh Wagon operating smoothly. When not in use, keep wagon stored out of direct sunlight and rain. When washing your wagon, try to avoid getting water inside drainage/airation/umbrella holes in the main body of the wagon and its panels.

*See speaker instruction manual for instructions and care.

Operating Restraint System

SECURING YOUR CHILD IN THE HARNESS

The belt comes in 3 parts - left waist strap, right waist strap, and crotch strap.

To attach the buckle, insert the ends of the waist safety belts (points 1 and 2) into the central buckle sides (3) until you hear a "click". **IMPORTANT:** Pull on each waist strap to make sure they are locked in to the crotch buckle. If not secure, repeat the above procedure.

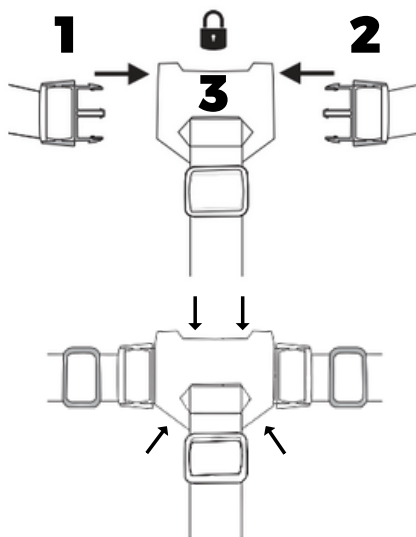
To release the buckle, squeeze down on the 4 corners of the assembled buckle in order to disengage and unfasten the safety belt.

ADJUSTING THE HARNESS

Tighten or loosen the waist straps and crotch strap by pulling on the excess strap to make tighter or sliding the strap back through the buckle to loosen.

*The crotch strap should be adjusted to a snug fit.

*The waist strap needs to fit firmly around the child.



Quick Start Guide

Please keep this manual as it contains important information.

1 Year Limited Warranty

Your Burleigh Wagon is warranted to be free from any manufacturing defects for a period of 1 year from the date of purchase under normal use and in compliance with the operating instructions. Accessories (umbrella, speaker, side storage rack, snack tray, etc) are warranted to be free from any manufacturing defects for a period of 90 days from the date of purchase under normal use and in compliance with the operating instructions. This warranty is not transferable and extends only to the original retail purchaser and is only valid when supplied with proof of purchase.

PLEASE RETAIN PROOF OF PURCHASE FOR THIS LIMITED WARRANTY

The warranty is valid only in the original country of purchase. This warranty is subject to the conditions set forth by the country in which the items were purchased. Conditions may vary. Burleigh Wagon will not ship replacement or repair parts out of the country of purchase.

Burleigh Wagon will provide replacement parts or conduct repairs as determined fitting by the company. Burleigh Wagon reserves the right to exchange the item with a replacement part. Some parts may be replaced with newer model parts as the wagon is improved over time.

Please note that a repair issue will NOT be covered by this warranty if:

- The issue is caused by misuse or poor maintenance. (Please refer to the instructional manual for guidance on the Burleigh Wagon use and maintenance.)
- Damage is caused by improper installation of Burleigh Wagon parts and/or accessories.
- Damage is corrosion, mold or rust caused by lack of maintenance or service.
- Damage is due to general wear and tear, which is the result of everyday use or negligence.
- Damage is caused by sun intensity, sweat, detergents, damp storage or frequent washings.
- Repairs or modifications are carried out by a third party.
- Burleigh Wagon is purchased from an unauthorized retailer. *Approved retailers are listed on our website at: www.burleighwagon.com
- Burleigh Wagon is second-hand.
- Burleigh Wagon is damaged as a result of an accident, airline or freight damage.
- If you receive a damaged or defective item, please contact us within 7 business days of receiving the goods at info@burleighwagon.com and supply your order number from your original confirmation e-mail, as well as a description and images of the damage or defect, along with your e-mail address and phone number. Once we receive all the necessary information, we will authorise (if deemed faulty) for the return of the goods and arrange a credit towards your next purchase or send a replacement product after we receive the original item(s) back. Please pack the item(s) securely in the original product packaging. Please include all paperwork, parts, and accessories.

Quick Start Guide

Please keep this manual as it contains important information.

The Burleigh Stroller Wagon meets the mandatory consumer product safety standards for a stroller (Consumer Protection Notice No. 8).

These are the mandatory standards based on the Australian/New Zealand Standards 2088: Pram and Stroller - Safety Requirements.

Meets ASTM F833 - Safety Standard for Carriages and Strollers

FOR ASSEMBLY VIDEO VISIT WEBSITE:

www.burleighwagon.com/pages/instruction-use-and-care-manual



- NEVER LEAVE CHILD UNATTENDED.
- AVOID SERIOUS INJURY FROM FALL OR SLIDING OUT. ALWAYS USE SEATBELTS AND FOLLOW THE MANUFACTURER'S INSTRUCTIONS.
- PUT ON THE BRAKES WHENEVER YOU PARK THE WAGON.
- DO NOT LET CHILDREN TO STAND UP IN THE WAGON.
- FOLLOW THE MANUFACTURER'S INSTRUCTIONS.
- DO NOT CARRY EXTRA CHILDREN OR BAGS ON WAGON, OR MAY BECOME UNSTABLE.
- MAKE SURE CHILDREN ARE CLEAR OF ANY MOVING PARTS IF YOU ADJUST THE WAGON, OTHERWISE THEY MAY BE INJURED.

BURLEIGH WAGON PTY LTD

PO BOX 3124, ROBINA TOWN CENTRE, QLD 4220, AUSTRALIA

TEL: +61 439 989 054

EMAIL: INFO@BURLEIGHWAGON.COM

WWW.BURLEIGHWAGON.COM

MODEL: THE STROLLER WAGON / BURLEIGH WAGON

MANUFACTURED MAY 2023