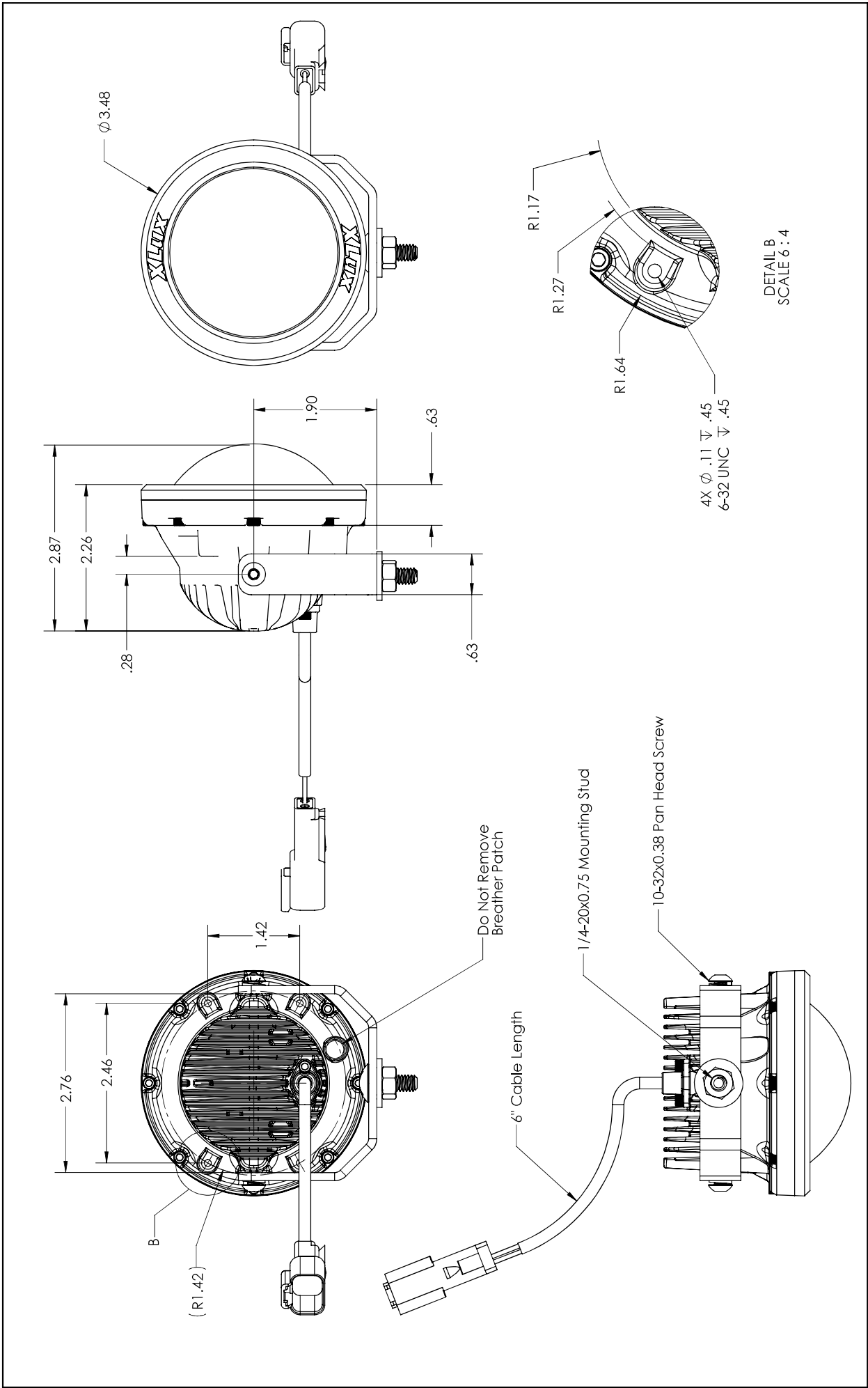


1

2

3

4



1

2

3

4

B

A