



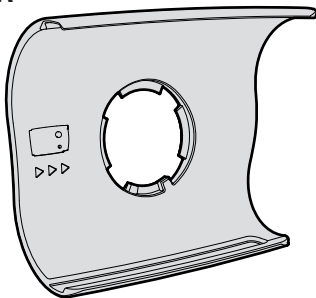
ResMed

AirMini™ MOUNT SYSTEM

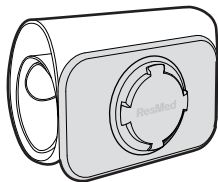
User Guide

English | Deutsch | Français | Italiano | Español | Português
Nederlands | Svenska | Dansk | Norsk | Suomi | Český
Eesti | 简体中文 | 繁體中文 | 日本語

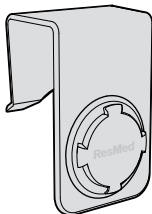
A



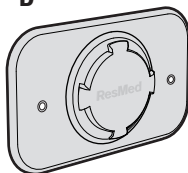
B



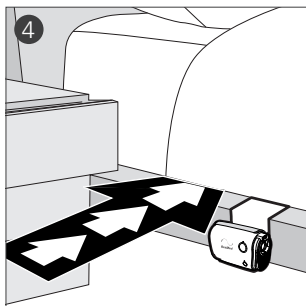
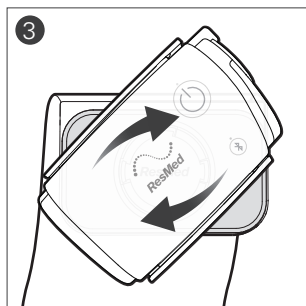
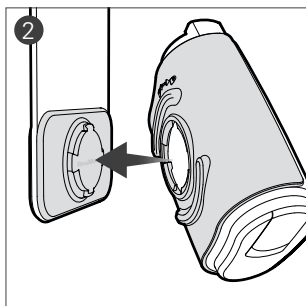
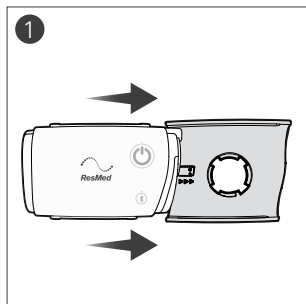
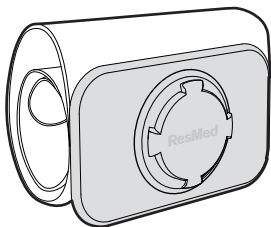
C

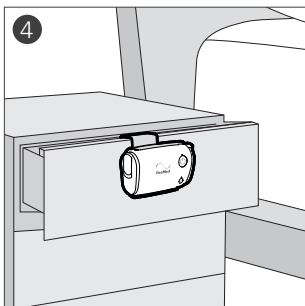
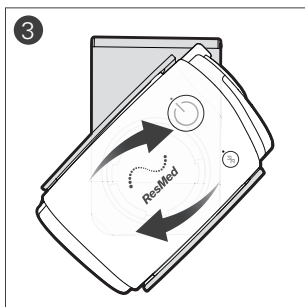
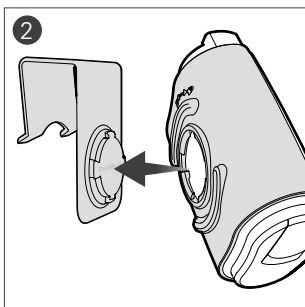
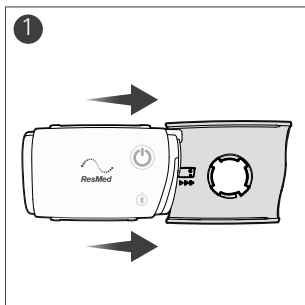
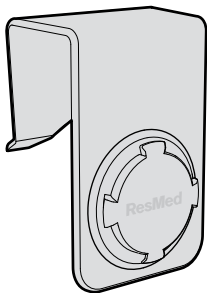


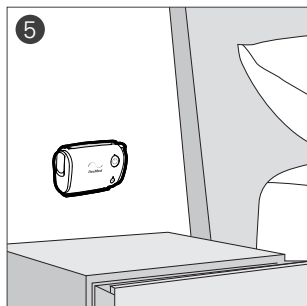
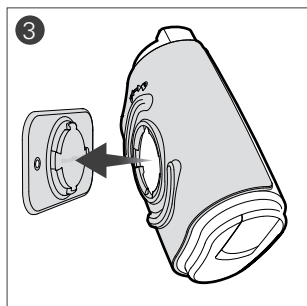
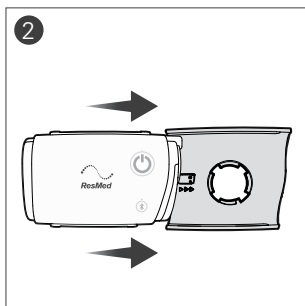
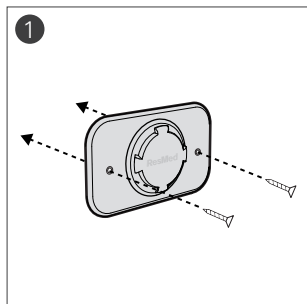
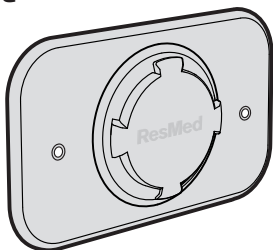
D



E



F

G

Intended use

The AirMini mount system allows the AirMini device to be secured to points such as a bedframe, bedside table, wall or airplane seat pocket. The AirMini mount system is not intended to be worn.

Components

Refer to illustrations A, B, C and D on page 1.

Part	Description
A	Mount
B	Mattress module
C	Hook module
D	Wall module (screws/adhesive tape not included)

Using the mount system

Mattress module

The mattress module can be used to attach the AirMini to the side of a bed, between a bedframe and mattress. Refer to illustration E on page 2.

1. Slide the AirMini into the mount.
2. Hold the mount at an angle and push it onto the mattress module.
Adjust the angle to fit the mount in place.
3. Turn the mount clockwise until it locks into place.
4. Lay the strap flat underneath the mattress.

Hook module

The hook module can be used to hang the AirMini onto various locations such as a bed rail, bedside table or airplane seat pocket. Refer to illustration F on page 3.

1. Slide the AirMini into the mount.
2. Hold the mount at an angle and push it onto the hook module. Adjust the angle to fit the mount in place.
3. Turn the mount clockwise until it locks into place.
4. Hang the hook onto a bed rail, bedside table or airplane seat pocket.

Wall module

The wall module can be used to mount the AirMini to a wall. Refer to illustration G on page 4.

1. Attach the wall module to the wall with screws and/or adhesive double-sided tape (not included).
2. Slide the AirMini into the mount.
3. Hold the mount at an angle and push it onto the wall module. Adjust the angle to fit the mount in place.
4. Turn the mount clockwise until it locks into place.

Technical specifications

Gross Dimensions	Mount (excluding modules): 87 mm (H) x 107 mm (W) x 42mm (D) (3.4" (H) x 4.2" (W) x 1.7" (D))
Wall module screw max diameter	2.5mm
Design Life	12 months.

Limited warranty

ResMed warrants that your AirMini mount system shall be free from defects in material and workmanship for a period of 90 days from the date of purchase by the initial customer. This warranty is not transferable.

DEUTSCH

Verwendungszweck

Mit der AirMini-Halterung kann das AirMini-Gerät an Bettgestelle, Nachttische, Wände und Flugzeugsitzfächer montiert werden.

Die AirMini-Halterung ist nicht zum Tragen am Körper vorgesehen.

Komponenten

Siehe Abbildungen A, B, C und D auf Seite 1.

Bauteil	Beschreibung
A	Halterung
B	Matratzenmodul
C	Hakenmodul
D	Wandmodul (Schrauben/Klebeband nicht im Lieferumfang enthalten)

**ResMed Ltd**

1 Elizabeth Macarthur Drive
Bella Vista NSW 2153
Australia

Distributed by

ResMed Corp 9001 Spectrum Center Boulevard San Diego CA
92123 USA. **EC REP** ResMed (UK) Ltd 96 Jubilee Ave Milton Park
Abingdon Oxfordshire OX14 4RW UK

See ResMed.com for other ResMed locations worldwide. AirMini is a trademark and/or registered trademark of the Resmed family of companies. For patent and other intellectual property information, see ResMed.com/ip.
©2017 ResMed Ltd. 388123 /1 2017-04

ResMed.com**CE** 0123

388123