



Thank you for supporting our mission to create a greener planet through reforestation. Before starting, please make sure all pieces listed in this manual are complete. And save this manual for future reference.

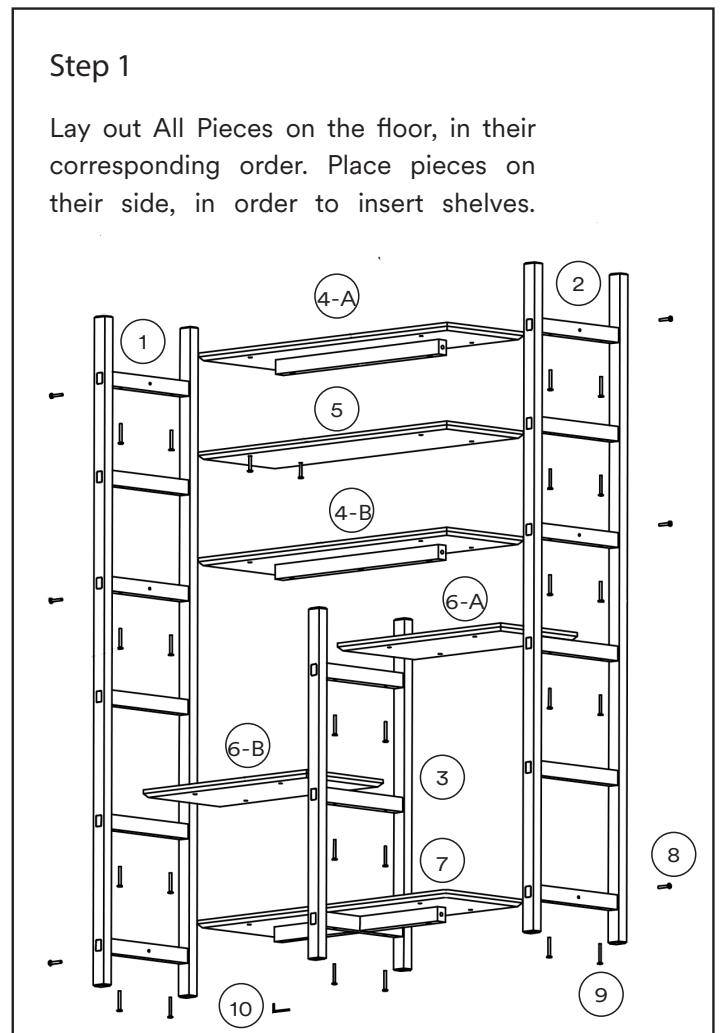
When assembling, we recommend placing all wooden parts on a soft, clean and flat surface to avoid scratches and damage while assembling your brand new MasayaCo piece.

Need any assistance?
Feel free to contact our Customer Service Team.

(615) 953 - 9373,
customerservice@masayacompany.com
or using our chat on www.masayacompany.com

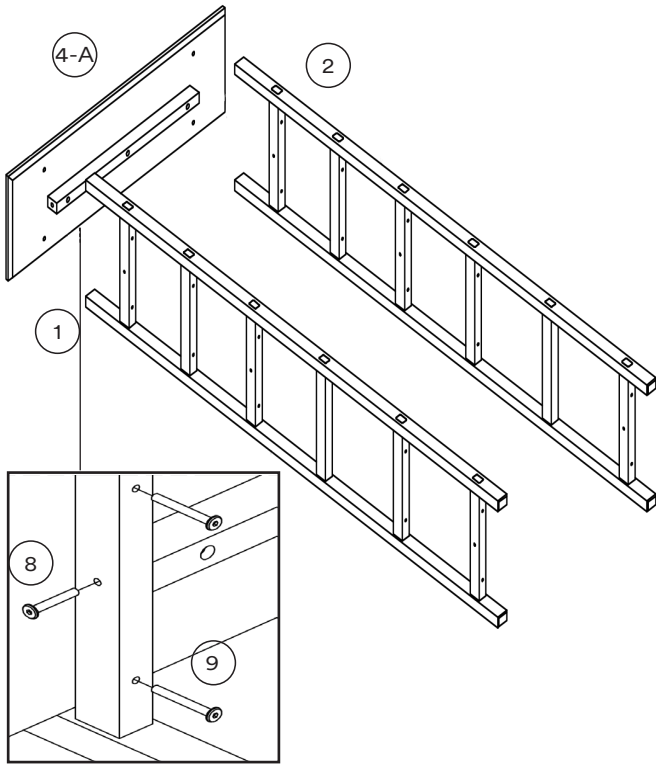
60 Min 2 people Allen Hex Key

ID	Description	Qty	Reference
1	Side Panel	1	
2	Side Panel	1	
3	Middle Panel	1	
4	Shelf A	2	
5	Shelf B	1	
6	Shelf C	2	
7	Shelf D	1	
8	Phillips Drive Round Head 13mm x 1-7/8"	6	
9	Decorative Head Bolt 13mm x 2"	24	
10	Allen Hex Key	1	



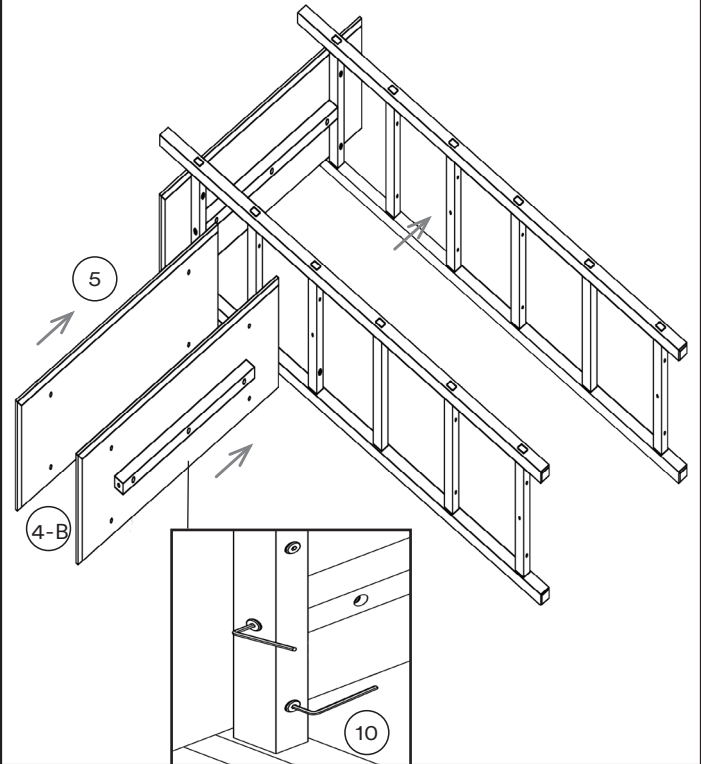
Step 2

Insert top ("Piece 4-A") into their corresponding space, making sure that the panels remain straight.



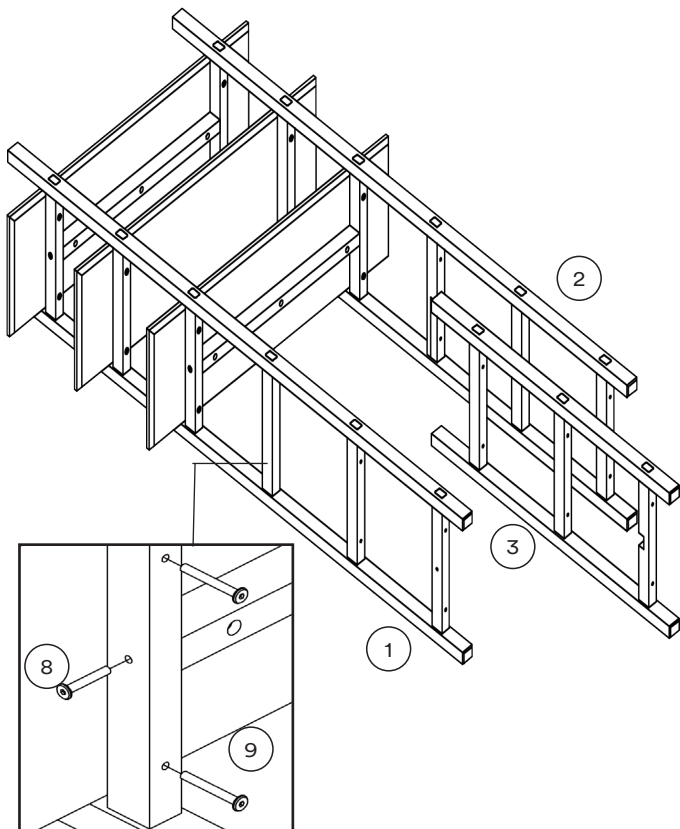
Step 3

Screw both shelves onto the panels. Make sure the top shelf is screwed onto panels (Pieces 1 & 2).



Step 4

Attach the remain panel (Piece 3) over the side components



Step 5

Screw the pieces 6-A on the shelf by using the Allen Hex Key. Lastly, place shelves (6-B & 7) in its corresponding space and screw it on. Lift the shelf to its upright position and place in its new space.

