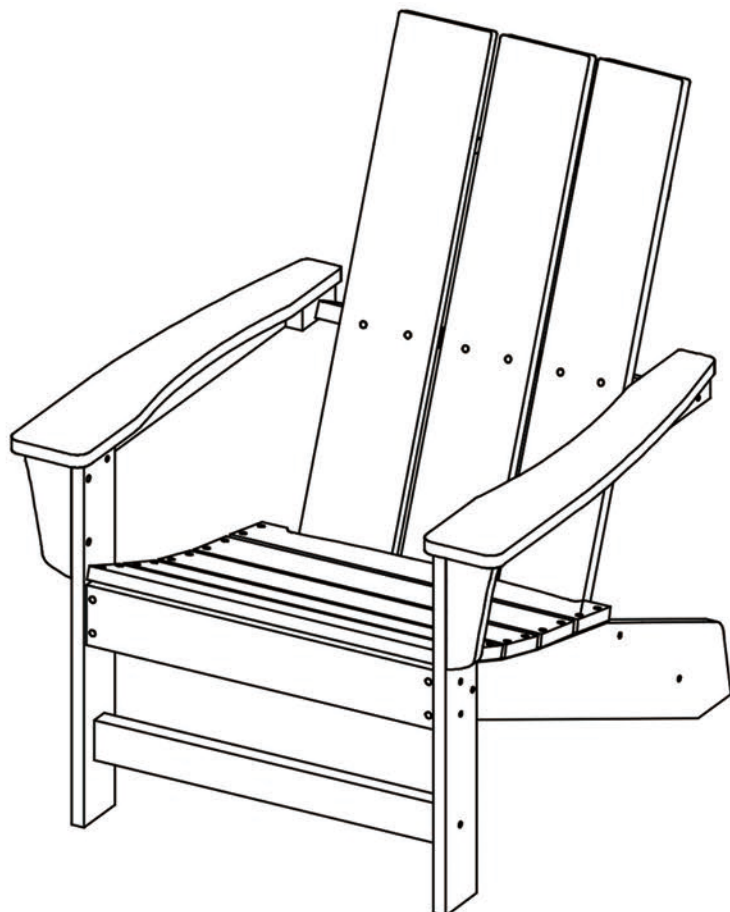


OUTDOOR POLY ADIRONDACK CHAIR



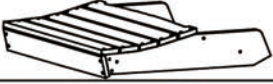
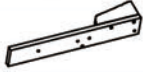






Assembly Consideration









- Do not overtighten screws(Insert All screws before tighten screws)
- Follow Assembly Instructions Step by Step
- Do not discard original packaging if you received items damaged or with missing parts
- Count all hardware parts before starting assembly
- Assemble items in a clear area and away from clutter to avoid misplacing assembly items

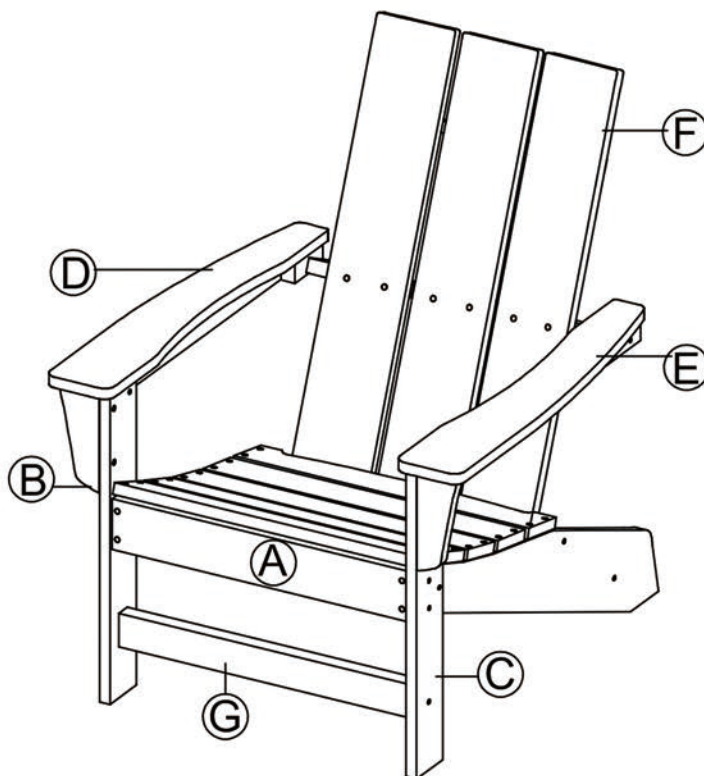
Safety Precautions

- Be very careful when folding chair to avoid smashing your hands or fingers
- Avoid using strong power tools to help prevent wood from cracking when assembly

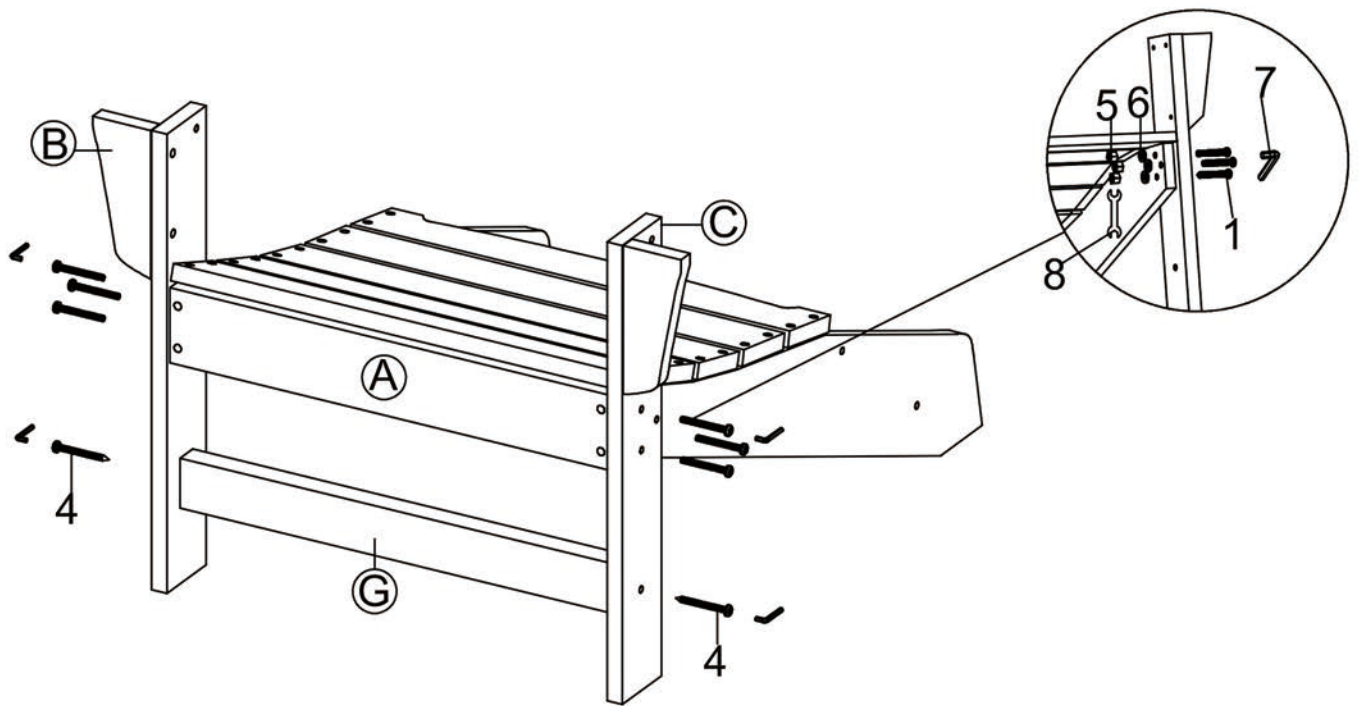
Assembly Instruction

| | | |
|---|---|------|
| A |  | 1PCS |
| B |  | 1PCS |
| C |  | 1PCS |
| D |  | 1PCS |
| E |  | 1PCS |
| F |  | 1PCS |
| G |  | 1PCS |
| H |  | 1PCS |

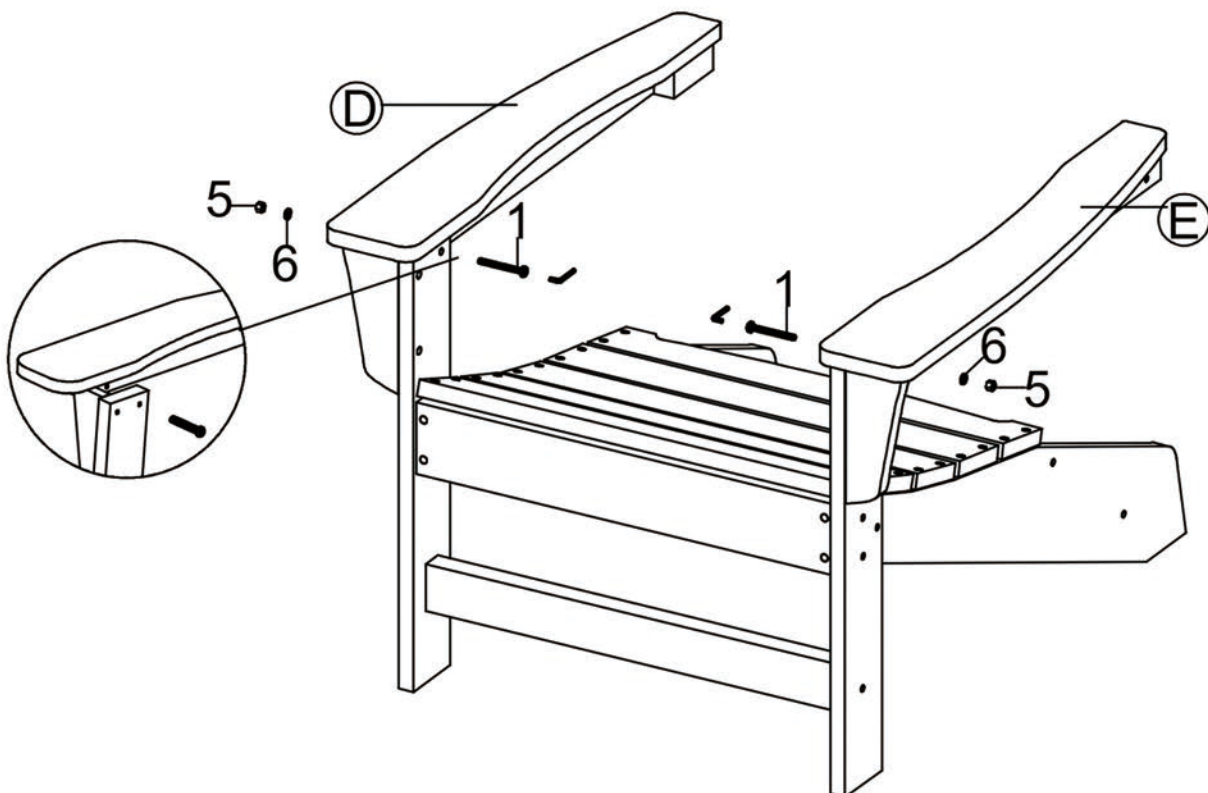
| | | |
|---|---|------|
| 1 |  M6X60 | 8PCS |
| 2 |  M6.3X80 | 2PCS |
| 3 |  M6.3X50 | 2PCS |
| 4 |  M6.3X40 | 4PCS |
| 5 |  M6 | 8PCS |
| 6 |  | 8PCS |
| 7 |  | 1PCS |
| 8 |  | 1PCS |



STEP 1



STEP 2



STEP 3

