

XLERATOR^{eco}® HAND DRYER



4840 York Blvd | Los Angeles CA 90042
Toll Free: (800) 458-2377 | Fax: (323) 258-6523
www.CandLsupply.com | sales@CandLsupply.com



MODELS: **XL - BW W GR C SB SI SP - ECO** OPTIONS: **-1.1N** (Noise Reduction Nozzle) **-H** (HEPA Filter) **-VOLTAGE** (See Chart)



XL-BW-ECO
White Thermoset Resin (BMC)



XL-W-ECO
White Epoxy Painted



XL-GR-ECO
Graphite Textured Painted



XL-SP-ECO³
Custom Special Paint



XL-SI-ECO⁴
Custom Special Image



XL-C-ECO
Chrome Plated



XL-SB-ECO
Brushed Stainless Steel



UL Environment published the first global Product Category Rules (PCR) for Hand Dryers. The PCR created evaluation methods through industry consensus that compare products' environmental impact and performance. Third party testing results then allow for the creation of certified Environmental Product Declarations (EPDs).



An EPD is a comprehensive, internationally-harmonized report documenting a product's environmental impact over its lifecycle. They enable specifiers and buyers to make a true apples-to-apples comparison of products and make more informed product selections. Excel Dryer received the industry's first certified EPDs.

¹Dry time and energy use testing performed by SGS International on standard XLERATOR Hand Dryer with 0.8" nozzle to 0.25g or less of residual moisture, pursuant to the UL Environment Global Product Category Rules (PCR) for Hand Dryers.
²Based on testing performed by LMS Technologies, 2023. ³Special Paint powder-coated covers are available in many colors and textures. ⁴Exclusive digital image technology allows for the addition of company, school or team logos with any color, design or a 'green message'.

LIMITED WARRANTY

The dryer shall be guaranteed to be free from defects for a period of **seven (7) years**. Warranty shall include labor performed at factory as well as the repair or exchange of defective parts, at manufacturer's option.

QUANTITY RECOMMENDATIONS

One dryer for every two washbasins is sufficient for most applications. If restroom traffic is unusually heavy, we suggest one dryer per washbasin in small installations and two dryers for every three washbasins in larger installations. When a 54" washfountain is used, we suggest four to five dryers.

PERFORMANCE



DRY TIME: 10 SECONDS¹

ENERGY PER USE: 1.7 Wh¹

DATA BASED ON ALL XL .8 NOZZLE DRYERS INCLUDING HEPA MODELS

SOUND: 65 - 75 dB(a) Average

VELOCITY: 13,000 - 20,000 LFM (Adjustable)

FLOW RATE: 43 - 65 CFM

MOTOR RPM: Up to 24,000 RPM

HEAT RANGE: No Heat Technology

WATTAGE: 425 Watts - 530 Watts

IP RATING: IP23B

CONSTRUCTION

A. All covers will be fastened to a base plate by two chrome plated tamper-proof bolts. Cover shall be one of the following:

Die-cast zinc alloy - One-piece, heavy-duty, rib-reinforced, lightweight, unbreakable, rustproof and all exposed surfaces shall be bright chrome plated or finished with chip-proof, electrostatically applied epoxy paint.

Bulk Molding Compound (BMC) - White reinforced thermoset resin.

Stainless Steel - with a brushed finish.

Special Image - Digital image applied to die-cast or stainless steel covers using patented Kolorfusion Sublimation Decoration process.

B. Base plate shall be equipped with (3) 7/8" (22 mm) diameter holes, the bottom one is suitable for use with surface conduit.

C. All internal parts shall be coated according to Underwriters' Laboratories, Inc. requirements.

D. Entire mechanism shall be internally grounded.

E. Options

Electrostatic HEPA Filtration System: Removes 99.999% of viruses and 99.97% of potentially present bacteria² at 0.3 microns from the airstream.

1.1" Noise Reduction Nozzle: Reduces the sound level by 9 decibels by significantly decreasing air deflection noise while only increasing dry time by approximately 3 seconds.

F. Accessories (optional)

Antimicrobial Wall Guards: 89W (Microban® White), 89B (Microban Black), 89S (Brushed Stainless Steel)

XChanger Paper Towel Dispenser Retrofit Kit: 40575, 40576 (ADA Height)

ADA-Compliant Recess Kit: 40502

MECHANISM

A. **New 50% longer life motor** shall be a thermally protected, series commutated, through-flow discharge vacuum motor/blower (5/8 hp / 24,000 rpm) which provides air velocity of up to 20,000 LFM (linear feet per minute). Includes a washable metal mesh filter for more reliable performance.

B. Control assembly is activated by an infrared optical sensor located next to the air outlet. The dryer shall operate as long as hands are under the air outlet. Control includes a speed and sound control mechanism and a filter sensor which is activated should the filter become clogged. There is a 35-second lockout feature if hands are not removed. Sensor equipped with externally visible Red LED light that can flash error codes to assist in troubleshooting.

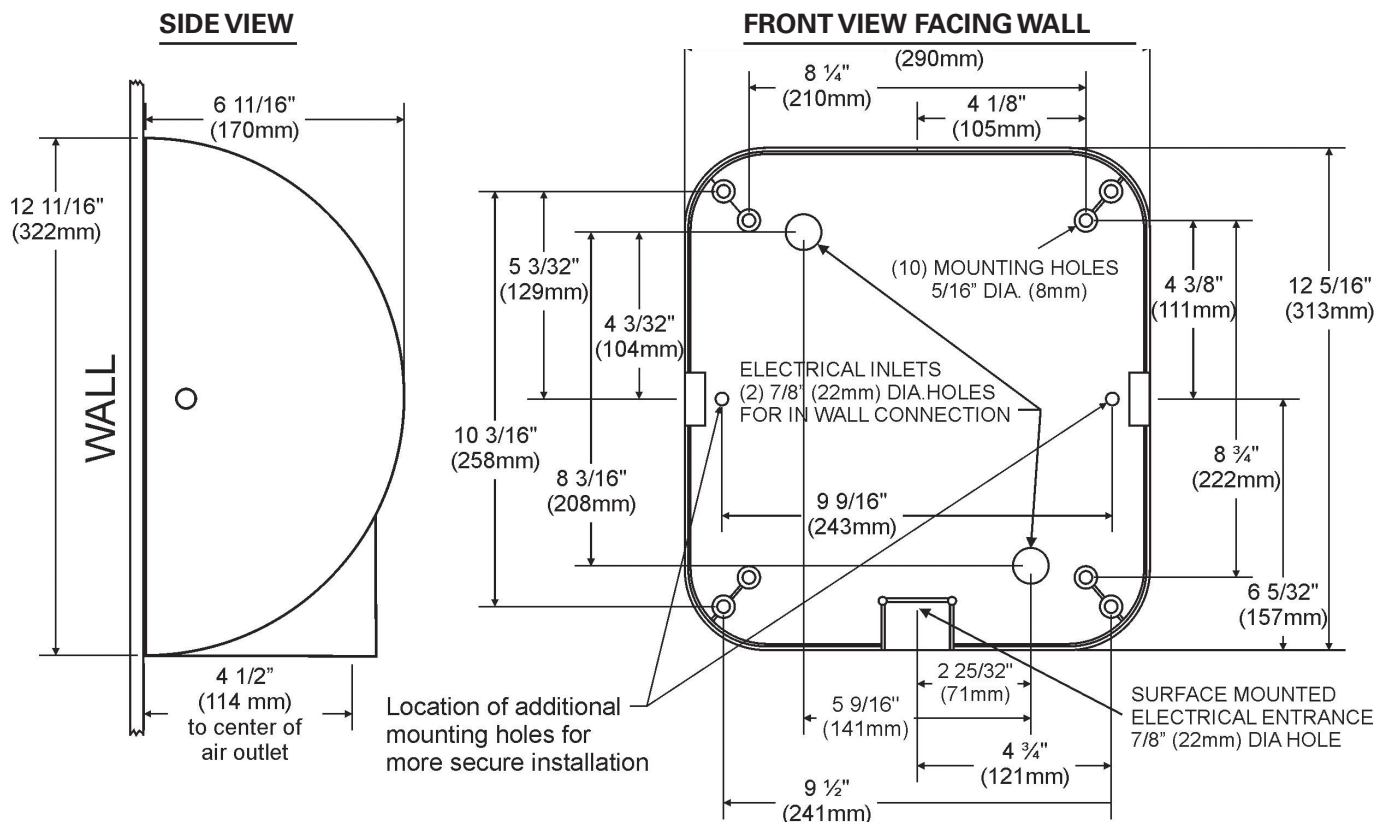
XLERATOR^{eco}® HAND DRYER



4840 York Blvd | Los Angeles CA 90042
Toll Free: (800) 458-2377 | Fax: (323) 258-6523
www.CandLsupply.com | sales@CandLsupply.com



MODELS: **XL - BW** **W** **GR** **C** **SB** **SI** **SP** - ECO OPTIONS: **-1.1N** (Noise Reduction Nozzle) **-H** (HEPA Filter) **-VOLTAGE** (See Chart)



DIMENSIONS

Width 11 3/4" (298 mm) Height 12 11/16" (322 mm) Depth 6 11/16" (170 mm)

WEIGHT

XL-BW: 15 lbs. (6.8 kgs.) XL-SB: 16 lbs. (7.26 kgs.) XL-W, GR, C, SI, SP: 17 lbs. (7.71 kgs.)

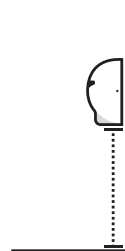
ELECTRICAL

VOLTS	AMPS	WATTS	HERTZ	
110-120V	4.3-4.5A	460-530W	50/60 Hz	
208-277V	2-2.2A	425-500W	50/60 Hz	
230V	2.2A	500W	50 Hz	

SUGGESTED MOUNTING HEIGHTS

from floor to bottom of dryer:

Men	45" (114 cm)
Women	43" (109 cm)
Teenagers	41" (104 cm)
Small Children	35" (89 cm)
Accessible	37" (94 cm)



CERTIFICATIONS



ACTIVATION

Automatic Sensor Operated

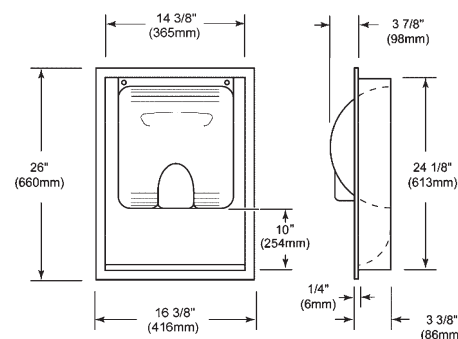
MOUNTING

Surface Mounted

OPTIONAL ADA-COMPLIANT RECESS KIT



Part # 40502



DIMENSIONS

Width 16 3/8" (416 mm) Height 26" (660 mm) Depth 3 3/8" (86 mm)

Bottom of recessed wall box should be 10" (254 mm) below suggested mounting height for dryer.