

# IT'S ELECTROSTATIC.



## **XLERATOR®/XLERATOReco® HAND DRYER HEPA FILTER RETROFIT KIT**

How do you improve on 99.999% virus removal?¹ Go electrostatic. Our new electrostatic HEPA filters offer the same virus and bacteria protection with more durability and improved airflow for faster drying. New electrostatic HEPA filters are now available as a feature on new XLERATOR and XLERATOReco Hand Dryers or can be easily retrofitted into your existing dryers.

¹Based on testing performed by LMS Technologies, 2023.

# XLERATOR/XLERATOR<sup>eco</sup> HAND DRYER HEPA FILTER RETROFIT KIT

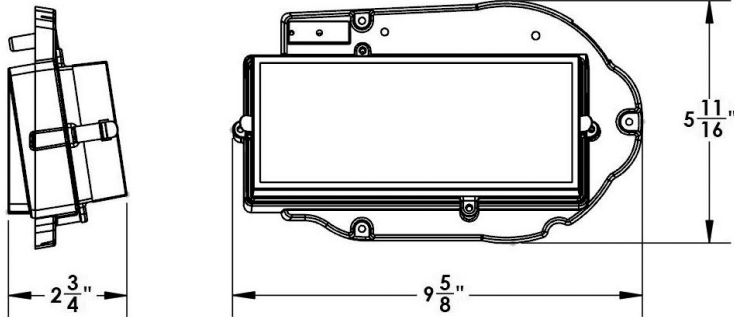
KIT ONLY TO BE INSTALLED ON XLERATOR/XLERATOR<sup>eco</sup> DRYERS PRODUCED AFTER 1/1/2009 SERIAL #370656 AND HIGHER, AND WITH CONTROLS #40102 OR 40103.

C&L Supply Company  
Smarter Industrial Solutions  
Est. 1981

4840 York Blvd Los Angeles CA 90042  
www.CandLSupply.com  
Toll Free: (800) 458-2377 | Fax: (323) 258-6523  
sales@CandLSupply.com

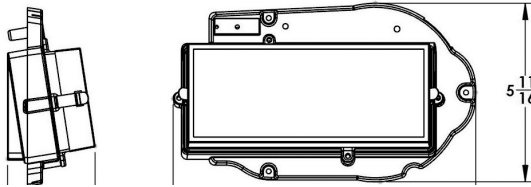


## HEPA RETROFIT KIT



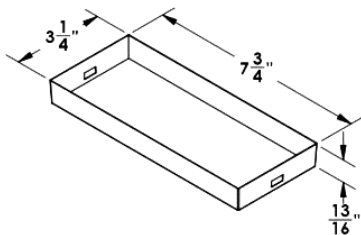
## HEPA FILTER

PART #40520



## PRE-FILTER

PART #94



Part ID	Description
40525	<b>XLERATOR/XLERATOR<sup>eco</sup> HEPA Filter Retrofit Kit</b> (For Dryers With 40102 or 40103 Control)
40520	<b>XLERATOR/XLERATOR<sup>eco</sup> HEPA Filter Replacement</b>
94	<b>HEPA Pre-Filter Replacement</b> Metal Mesh

## COMPONENTS/FEATURES OF HEPA FILTER RETROFIT KIT

- ✔ **HEPA Filter**  
 HEPA Filtration System: Removes 99.999% of viruses and 99.97% of potentially present bacteria<sup>1</sup> at 0.3 microns from the airstream. Replacement HEPA Filters are available separately (Part #40520).
- ✔ **Pre-Filter**  
 Corrosion resistant stainless steel mesh screen that traps large particles and protects the HEPA Filter media. The Pre-Filter is designed with an easy detaching clip system, allowing it to be removed without any tools for rinsing and cleaning of debris, and then reattached with a simple snap fit. Replacement Pre-Filters are available separately (Part #94).
- ✔ **Filter Adapter**  
 This component serves as the connecting piece between the HEPA Filter and the motor. It creates an airtight seal to the motor and the HEPA Filter using perimeter closed-cell gaskets.
- ✔ **Pre-Filter Spring Clips**  
 Corrosion resistant clips that easily flex outward to remove the Pre-Filter for cleaning. The Pre-Filter is designed to snap easily into place. The spring clips come pre-attached to the HEPA Filter.
- ✔ **Additional Components (Not pictured)**
  - HEPA Control Adapter Plate (Only for 40102 Control)
  - Heater Extension Wire (Only for 40102 Control)
  - Tamper-Proof Hex Wrench

## MAINTENANCE

**⚠ WARNING: TO REDUCE THE RISK OF ELECTRIC SHOCK, FIRE & PERSONAL INJURY, INSIDE CLEANING MUST BE PERFORMED BY QUALIFIED SERVICE PERSONNEL.**

The XLERATOR HEPA Filter includes a durable and removable stainless steel mesh Pre-Filter that can be cleaned, rather than replaced, to improve reliability and extend the lifespan of the filter. It is generally recommended that the Pre-Filter be inspected and cleaned if performance diminishes. If the dryers are installed in an environment that contains excessive lint, dust or other particles in the ambient air, periodic cleaning is recommended. The manufacturer recommends replacing the HEPA Filter once annually, depending on usage.

**⚠ DO NOT CLEAN THE HEPA FILTER OR ALLOW IT TO COME INTO CONTACT WITH WATER**

## LIMITED WARRANTY

The XLERATOR HEPA Filter Retrofit Kit shall be guaranteed to be free from manufacturing defects for a period of one (1) year. Warranty shall consist of replacement parts, and may require the return of the defective parts at manufacturer's option.

<sup>1</sup>Based on testing performed by LMS Technologies, 2023.



# TIME TO THROW IN THE TOWEL<sup>®</sup>

EXCEL DRYER INC • 1.800.255.9235 • EXCELDRYER.COM

JULY  
2023

22EDS1134