

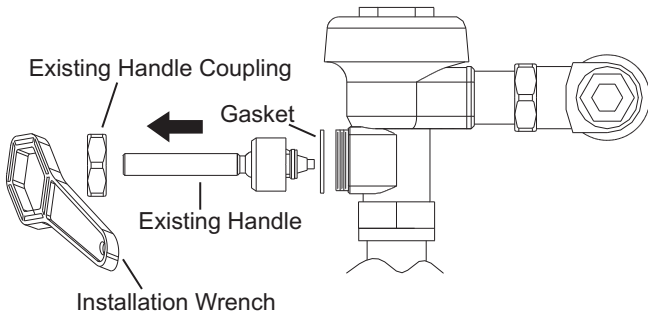
AMTC DUALFLUSH® Handle Instruction Guide

(Refer to illustrations below)

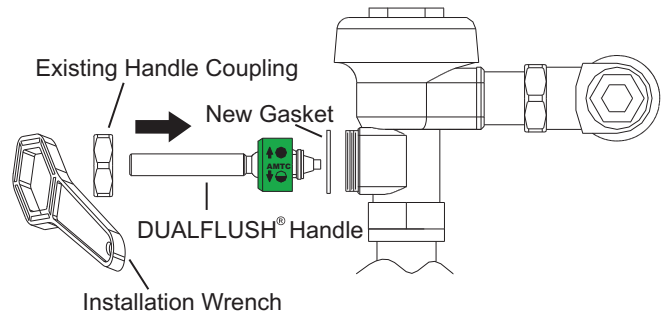
NOTE: Water does not need to be shut off to install DUALFLUSH® Handle, but use caution to NOT ACTIVATE the valve.

IMPORTANT: Make sure that existing diaphragm assembly matches the required flush volume for the existing fixture to assure proper and maximum performance.

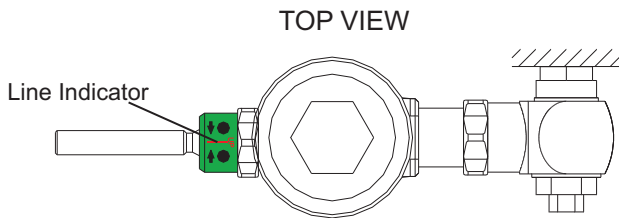
Quick Installation Diagram:



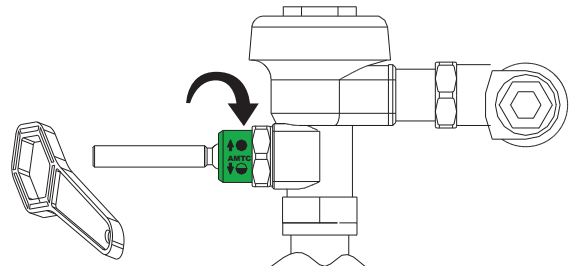
1 Remove Existing Handle Coupling, Existing Handle, and Gasket from Flushometer Valve Body using supplied Installation Wrench.



2 Replace with DUALFLUSH® Handle and New Gasket using Existing Handle Coupling.



3 Install DUALFLUSH® Handle with "RED LINE" Indicator Facing "UP".



4 Tighten the Handle Coupling Securely using the supplied Installation Wrench.



4840 York Blvd | Los Angeles CA 90042
Toll Free: (800) 458-2377 | Fax: (323) 258-6523
www.CandLsupply.com | sales@CandLsupply.com

Advanced Modern Technologies Corporation • 19800 Nordhoff Place • Chatsworth, CA 91311
Tel: (818) 883-2682 • Toll Free: (800) 874-7822 • Fax: (818) 883-2620 • www.amtccorporation.com