



WATER CLOSET FLUSHOMETER

Model
MF-700-T12

Description

Exposed Water Closet Flushometer for Floor Mounted or Wall Hung Top Spud Bowls.



Flush Cycle

Model MF-700-T12 (1.28 gpf/4.8 Lpf)

Specifications

Chrome Plated, Exposed, Diaphragm Type Water Closet Flushometer for use with Right or Left Side Water Supply

Features

- Quiet Operation
- Uses Proprietary Silicone Diaphragm with Filtered Bypass
- ADA Compliant Non-Hold Open Sealed Brass Handle
- 1" I.P.S. Angle Stop
- Adjustable Tailpiece
- High Back Pressure Vacuum Breaker with Single Piece Hex Coupling Nut
- Spud Coupling and Flange for 1 1/2" Top Spud
- Sweat Solder Kit and Wall Flange with Set Screw
- No External Water Volume Adjustment
- High Efficiency For Water Conservation

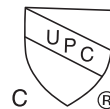


Code Compliance (Listed By IAPMO)

- ASSE 1037-2015
- ASME A112.1035-2015
- CSA B125.37-15
- EPA WaterSense (When Used With a WaterSense Listed Bowl)

For Finish Variations Please Consult Factory

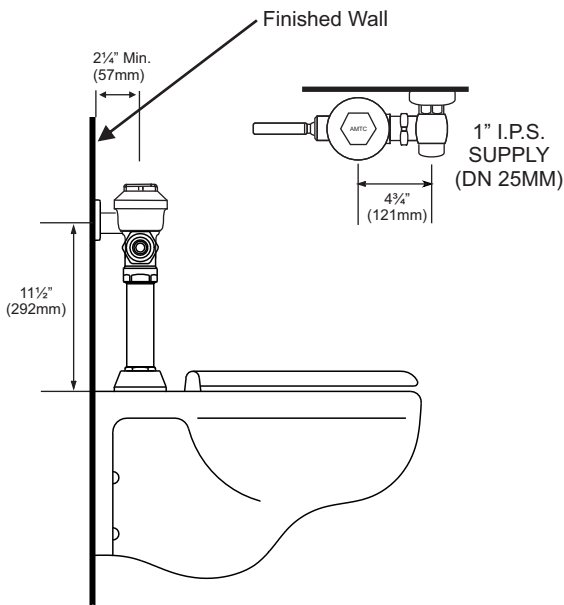
Warranty
5 Years



Listed
By
IAPMO



ADA Compliant



Architect/Engineer Approval

Job Name	_____
Date	_____
Model Specified	_____
Quantity	_____
Variations Specified	_____
Customer/Wholesaler	_____
Contractor	_____
Architect	_____

The information contained in this document is subject to change without notice.



4840 York Blvd | Los Angeles CA 90042
Toll Free: (800) 458-2377 | Fax: (323) 258-6523
www.CandLSupply.com | sales@CandLSupply.com

Advanced Modern Technologies Corporation • 19800 Nordhoff Place • Chatsworth, CA 91311
Tel: (818) 883-2682 • Toll Free: (800) 874-7822 • Fax: (818) 883-2620 • www.amtcorporation.com