



# DUAL-FLUSH WATER CLOSET FLUSHOMETER

Model  
MF-700-DFT16



## Description

Exposed Dual-Flush Water Closet Flushometer for Floor Mounted or Wall Hung Top Spud Bowls.

## Flush Cycle

Model MF-700-DFT16 (1.6 gpf/6.0 Lpf and 1.1 gpf/4.2 Lpf)

## Specifications

Dual-Flush Chrome Plated, Exposed, Diaphragm Type Water Closet Flushometer for use with Right or Left Side Water Supply

## Features

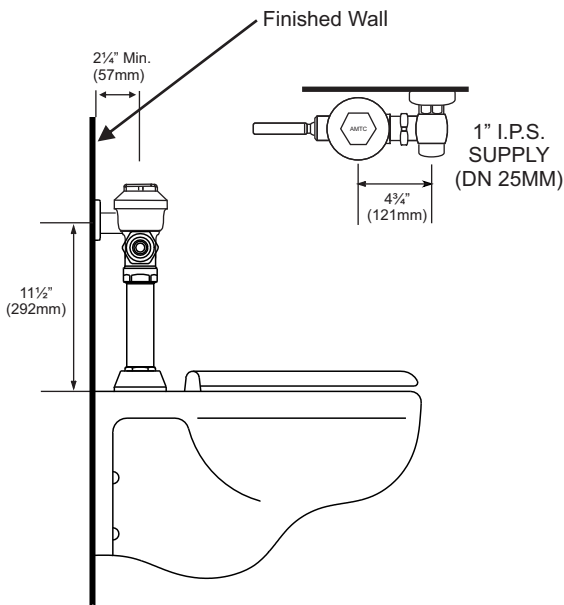
- **Green Solution - Reduces Water Usage Per Flush When Pushed DOWN**
- Lift Handle **UP** for Solid Waste and Push Handle **DOWN** for Liquid Waste
- **Reduces Water Usage by up to 30% when Pushed DOWNWARDS**
- **No Behavioral Change Required By Users To Start Saving Water**
- Quiet Operation
- Uses Proprietary Silicone Diaphragm with Filtered Bypass
- ADA Compliant Non-Hold Open Sealed Brass Handle
- 1" I.P.S. Angle Stop
- Adjustable Tailpiece
- High Back Pressure Vacuum Breaker with Single Piece Hex Coupling Nut
- Spud Coupling and Flange for 1 1/2" Top Spud
- Sweat Solder Kit and Wall Flange with Set Screw
- No External Water Volume Adjustment
- High Efficiency For Water Conservation



## Code Compliance (Listed By IAPMO)

- ASSE 1037-2015
- ASME A112.1035-2015
- CSA B125.37-15

For Finish Variations Please Consult Factory



**Warranty**  
5 Years



Listed By  
IAPMO



**ADA Compliant**

## Architect/Engineer Approval

Job Name	_____
Date	_____
Model Specified	_____
Quantity	_____
Variations Specified	_____
Customer/Wholesaler	_____
Contractor	_____
Architect	_____

The information contained in this document is subject to change without notice.



4840 York Blvd | Los Angeles CA 90042  
Toll Free: (800) 458-2377 | Fax: (323) 258-6523  
www.CandLsupply.com | sales@CandLsupply.com

Advanced Modern Technologies Corporation • 19800 Nordhoff Place • Chatsworth, CA 91311  
Tel: (818) 883-2682 • Toll Free: (800) 874-7822 • Fax: (818) 883-2620 • www.amtcorporation.com