



Wall Hung ADA Low Consumption Flush Valve System

Model
MF1012WT16

Description

Complete LC System with Exposed Manual Water Closet Flushometer and ADA Vitreous China Fixture.

Flush Cycle


Model MF1012WT16 (1.6 gpf/6.0 Lpf)

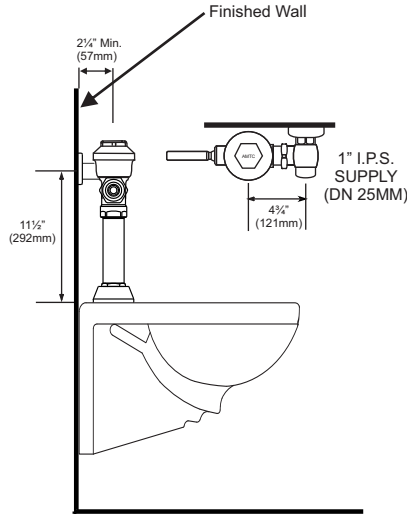
Specifications

Flushometer Specification (Model MF-700-T16)

- Chrome Plated, Exposed, Diaphragm Type Water Closet Flushometer for Use with Right or Left Side Water Supply
- Quiet Operation
- Uses Proprietary Silicone Diaphragm with Filtered Bypass
- ADA Compliant Non-Hold Open Sealed Brass Handle
- 1" I.P.S. Angle Stop
- Adjustable Tailpiece
- High Back Pressure Vacuum Breaker with Single Piece Hex Coupling Nut
- Spud Coupling and Flange for 1 1/2" Top Spud
- Sweat Solder Kit and Wall Flange with Set Screw
- No External Water Volume Adjustment
- Low Consumption for Water Conservation

Compliance & Certifications

- ASSE 1037-2015
 - ASME A112.1035-2015
 - CSA B125.37-15
-  Listed By IAPMO



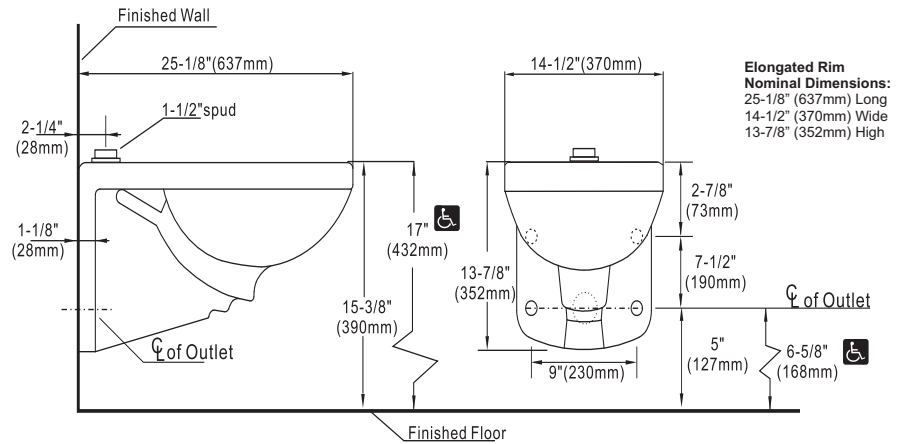
For Finish Variations Please Consult Factory

Fixture Specification (Model AUT-1012W)

- Complies with ADA Accessible Standards
- White Color
- Vitreous China
- Wall Hung Water Closet Bowl
- Elongated Rim
- 1-1/2" (38mm) I.P.S. Top Spud Inlet
- 2" (50mm) Fully Glazed Trapway
- 7-1/2" (190mm) x 8-1/2" (216mm) Water Surface Area
- Direct Feed Jet
- 100% Factory Tested
- Toilet Seat Not Included

Compliance & Certifications

- ASME A112.19.2/CSA B45.1
- Energy Act of 1992
- ADA- With installation consideration for section 604 Water Closets, Accessibility Guidelines.
- ICC/ANSI A117.1
- TAS - With installation consideration for section: 4.16.3. Adult seat height 17" (432mm) to 19" (483mm).
- CSA B651 - With installation consideration for Clause 4.3.6 of the standard.
- ICC-ES PMG® Certified



**Elongated Rim
Nominal Dimensions:**
25-1/8" (637mm) Long
14-1/2" (370mm) Wide
13-7/8" (352mm) High

Plumbing System Requirements

- Minimum Flowing Pressure: 25 PSI
- Maximum Static Pressure: 80 PSI
- Minimum Flow Rate: 25 GPM

Disclaimer

Note: All vitreous china dimensions shown in these drawings are nominal and not to scale. Dimensions can vary within the tolerances established in the governing ASME A112.19.2/CSA B45.1 standard. It is important to consider this when planning rough-in and plumbing layouts.



Warranty

5 Years

This space for Architect/Engineer Approval

The information contained in this document is subject to change without notice.

Advanced Modern Technologies Corporation • 19800 Nordhoff Place • Chatsworth, CA 91311
Tel: (818) 883-2682 • Toll Free: (800) 874-7822 • Fax: (818) 883-2620 • www.amtccorporation.com