



HYBRIDFLUSH® SIDE MOUNT

AUTOMATIC/MANUAL WATER CLOSET FLUSHOMETER

Model
HSM-801-CT-11

Description

Battery Powered, Sensor Operated HYBRIDFLUSH® Side Mount Exposed Water Closet (Toilet) Flushometer for Floor Mounted or Wall Hung Top Spud Bowls.

Flush Cycle

Model HSM-801-CT-11 (1.1 gpf/4.2 Lpf)

Features

- Patented Gear Motor Drive
- Hands Free Infrared Sensor Activation
- Vandal and Water Resistant Design
- Chrome Plated Metal Housing
- Quiet Operation
- Electronic Manual Flush Button (Front)
- True Mechanical Manual Flush Button (Side)
- *Mechanical Button Works When Batteries are Drained
- Operates on (4) "C" Alkaline Batteries (Included)
- Battery Life - 3+ Years
- "Low Battery" Blinking LED Indicator
- Easy Battery Replacement-No Water Shut Off Necessary
- Adjustable Sensor Distance
- Optional Three (3) Second Flush Delay Mode
- Optional 24-Hour Flush Mode
- Uses Proprietary Silicone Diaphragm with Filtered Bypass
- 1" I.P.S. Angle Stop
- Adjustable Tailpiece
- High Back Pressure Vacuum Breaker with Single Piece Hex Coupling Nut
- Spud Coupling and Flange for 1 1/2" Top Spud
- Sweat Solder Kit and Wall Flange with Set Screw
- High Efficiency For Water Conservation

Hardwiring Option

HSM-HW Hardwiring Kit

Code Compliance (Listed By IAPMO)

- ASSE 1037-2015
- ASME A112.1035-2015
- CSA B125.37-15
- EPA WaterSense (When Used With a WaterSense Listed Bowl)



*HSM-801-CT units include a Valve Body, Supply Stop and Vacuum Breaker.



The HYBRIDFLUSH® Advantage

The **HYBRIDFLUSH®** is a revolutionary full-featured automatic/manual flushometer. The **HYBRIDFLUSH®** incorporates a unique patented mechanism that allows for automatic/manual operation for unsurpassed reliability. The patented **HYBRIDFLUSH®** design allows for a push button to be used as an alternate flush option that is independent of the battery power. The **HYBRIDFLUSH®** by Advanced Modern Technologies Corporation is the most efficient, economical, and complete automatic flush valve system on the market.

Warranty
5 Years



ADA Compliant

Architect/Engineer Approval

Job Name	_____
Date	_____
Model Specified	_____
Quantity	_____
Variations Specified	_____
Customer/Wholesaler	_____
Contractor	_____
Architect	_____

For Finish Variations Please Consult Factory

The information contained in this document is subject to change without notice.
Revision (07/19)



HYBRIDFLUSH[®] SIDE MOUNT

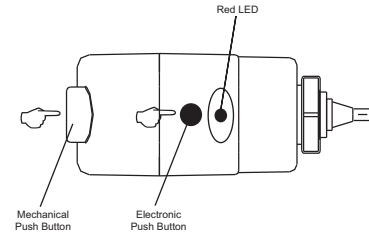
AUTOMATIC/MANUAL WATER CLOSET FLUSHOMETER

Model
HSM-801-CT-11

Specifications:

Operation:	Hybrid (Automatic/Manual)
Outer Casing:	Standard-Chrome Metal
Operating Water Pressure:	15 PSI - 100 PSI
Sensor Type:	Infrared
Battery Type:	Four "C" Alkaline Batteries
Battery Life:	3+ Years
Arming Delay:	5 Seconds
Sensing Range:	Adjustable, Default Set to 24" (610mm)
Operation Mode:	Can be Turned On and Off
Water Saver Mode:	N/A
Flush Delay Mode:	3 Seconds Delay Before Activating Flush
24 Hour Flush Mode:	Once Every 24 Hours After Last User
Flush Cycle:	Specified by Model
Model HSM-801-CT-11	1.1 gpf/4.2 Lpf
Manual Override:	Electronic Button/True Mechanical Button

Visual Indicator Guide

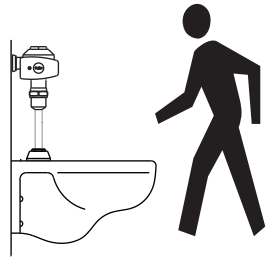


Red LED - Constant blinking red LED indicates batteries are low and need replacing.

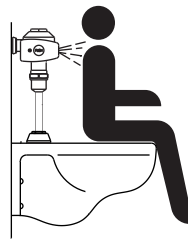
Electronic Push Button - Allows manual activation of flush when needed.

Mechanical Push Button - Allows manual activation of flush when needed and when batteries are drained.

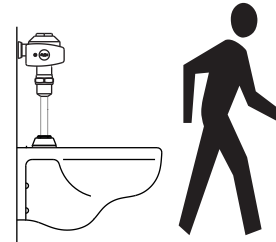
Operation:



User Approaches

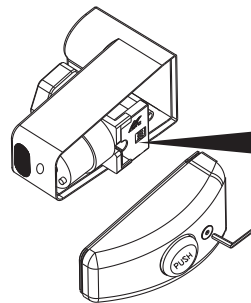
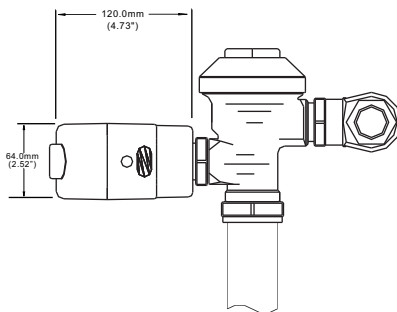
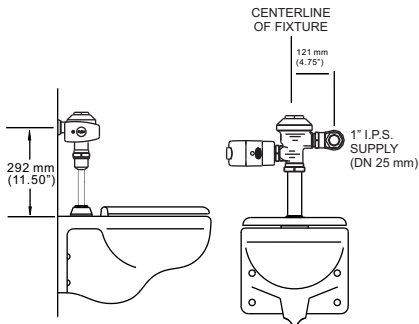


HYBRID.Flush[®]
Senses User

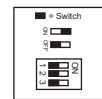


HYBRID.Flush[®]
Flushes When
User Leaves

Dimensions:



Mode Adjustment Guide



- Switch 1 : Water Saver**
 OFF - Flushes after every user
 ON - Not Applicable For Water Closets (Toilets)
- Switch 2 : 24 Hour Flush**
 OFF - None
 ON - Flushes once every 24 hours after last user
- Switch 3 : Flush Delay**
 OFF - 3 seconds delay before activating a flush
 ON - No delay

Advanced Modern Technologies Corporation • 19800 Nordhoff Place • Chatsworth, CA 91311
 Tel: (818) 883-2682 • Toll Free: (800) 874-7822 • Fax: (818) 883-2620 • www.amtccorporation.com