



HYBRIDFLUSH® AUTOMATIC

ADA Wall Hung Low Consumption Flush Valve System

Model
HSM1012WT16

Description

Battery Powered, Sensor Operated HYBRIDFLUSH® Side Mount Complete LC System with Exposed Automatic Water Closet Flushometer and ADA Vitreous China Fixture.

Flush Cycle

Model HSM1012WT16 (1.6 gpf/6.0 Lpf)

Specifications

Flushometer Specification (Model HSM-801-CT-16)

- Patented Gear Motor Drive
- Hands Free Infrared Sensor Activation
- Vandal and Water Resistant Design
- Chrome Plated Metal Housing
- Quiet Operation
- Electronic Manual Flush Button (Front)
- True Mechanical Manual Flush Button (Side)
- *Mechanical Button Works When Batteries are Drained
- Operates on (4) "C" Alkaline Batteries (Included)
- Battery Life - 3+ Years
- "Low Battery" Blinking LED Indicator
- Easy Battery Replacement-No Water Shut Off Necessary
- Adjustable Sensor Distance
- Optional Three (3) Second Flush Delay Mode
- Optional 24-Hour Flush Mode
- Uses Proprietary Silicone Diaphragm with Filtered Bypass
- 1" I.P.S. Angle Stop
- Adjustable Tailpiece
- High Back Pressure Vacuum Breaker with Single Piece Hex Coupling Nut
- Spud Coupling and Flange for 1 1/2" Top Spud
- Sweat Solder Kit and Wall Flange with Set Screw
- Low Consumption For Water Conservation

Compliance & Certifications

- ASSE 1037-2015
- ASME A112.1035-2015
- CSA B125.37-15



For Finish Variations Please Consult Factory

Fixture Specification (Model AUT-1012W)

- Complies with ADA Accessible Standards
- White Color
- Vitreous China
- Wall Hung Water Closet Bowl
- Elongated Rim
- 10" (254mm) Rough-In
- 1-1/2" (38mm) I.P.S. Top Spud Inlet
- 2" (50mm) Fully Glazed Trapway
- 7-1/2" (190mm) x 8-1/2" (216mm) Water Surface Area
- Direct Feed Jet
- 100% Factory Tested
- Toilet Seat Not Included

Compliance & Certifications

- ASME A112.19.2/CSA B45.1
- Energy Act of 1992
- ADA- With installation consideration for section 604 Water Closets, Accessibility Guidelines.
- ICC/ANSI A117.1
- TAS - With installation consideration for section: 4.16.3. Adult seat height 17" (432mm) to 19" (483mm).
- CSA B651 - With installation consideration for Clause 4.3.6 of the standard.
- ICC-ES PMG® Certified



Plumbing System Requirements

- Minimum Flowing Pressure: 25 PSI
- Maximum Static Pressure: 80 PSI
- Minimum Flow Rate: 25 GPM



The HYBRIDFLUSH® Advantage

The HYBRIDFLUSH® is a revolutionary full-featured automatic/manual flush valve system. The HYBRIDFLUSH® incorporates a unique patented mechanism that allows for automatic/manual operation for unsurpassed reliability. The patented HYBRIDFLUSH® design allows for a push button to be used as an alternate flush option that is independent of the battery power. The HYBRIDFLUSH® by Advanced Modern Technologies Corporation is the most efficient, economical, and complete automatic flush valve system on the market.

Warranty
5 Years



Architect/Engineer Approval

Job Name	_____
Date	_____
Model Specified	_____
Quantity	_____
Variations Specified	_____
Customer/Wholesaler	_____
Contractor	_____
Architect	_____



HYBRIDFLUSH[®] AUTOMATIC

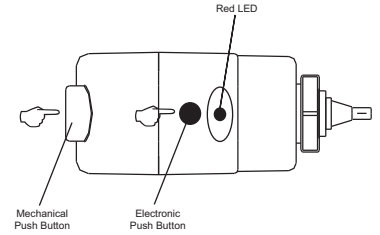
ADA Wall Hung Low Consumption Flush Valve System

Model HSM1012WT16

Specifications

Operation:	Hybrid (Automatic/Manual)
Outer Casing:	Standard-Chrome Metal
Operating Water Pressure:	15 PSI - 100 PSI
Sensor Type:	Infrared
Battery Type:	Four "C" Alkaline Batteries
Battery Life:	3+ Years
Arming Delay:	5 Seconds
Sensing Range:	Adjustable, Default Set to 24" (610mm)
Operation Mode:	Can be Turned On and Off
Water Saver Mode:	N/A
Flush Delay Mode:	3 Seconds Delay Before Activating Flush
24 Hour Flush Mode:	Once Every 24 Hours After Last User
Flush Cycle:	Specified by Model
Model HSM1012WT16	1.6 gpf/6.0 Lpf
Manual Override:	Electronic Button/True Mechanical Button

Visual Indicator Guide

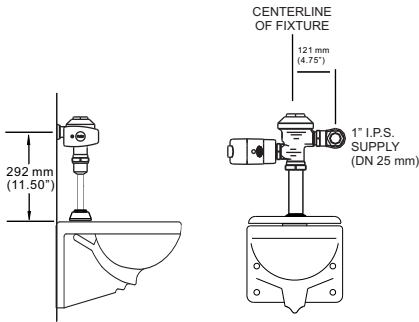


Red LED - Constant blinking red LED indicates batteries are low and need replacing.

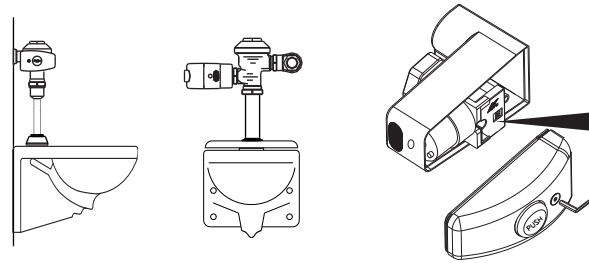
Electronic Push Button - Allows manual activation of flush when needed.

Mechanical Push Button - Allows manual activation of flush when needed and when batteries are drained.

Dimensions



Application

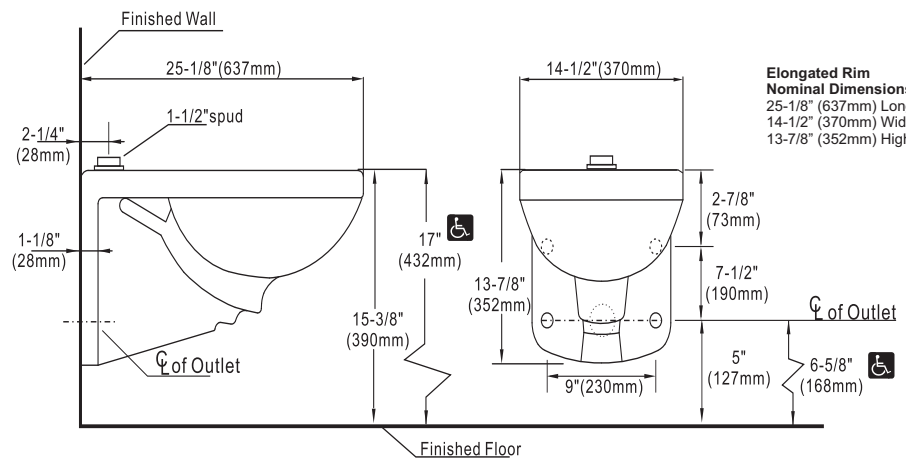
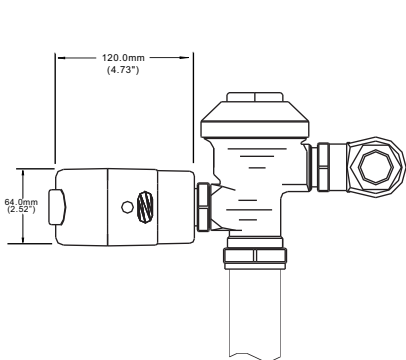


Mode Adjustment Guide

Switch 1 : Water Saver
 OFF - Flushes after every user
 ON - Not Applicable For Water Closets (Toilets)

Switch 2 : 24 Hour Flush
 OFF - None
 ON - Flushes once every 24 hours after last user

Switch 3 : Flush Delay
 OFF - 3 seconds delay before activating a flush
 ON - No delay



Disclaimer

Note: All vitreous china dimensions shown in these drawings are nominal and not to scale. Dimensions can vary within the tolerances established in the governing ASME A112.19.2/CSA B45.1 standard. It is important to consider this when planning rough-in and plumbing layouts.

Advanced Modern Technologies Corporation • 19800 Nordhoff Place • Chatsworth, CA 91311
 Tel: (818) 883-2682 • Toll Free: (800) 874-7822 • Fax: (818) 883-2620 • www.amtccorporation.com