



Wall Hung ADA High Efficiency Flush Valve Bowl

Model
AUT-1012W

Description

Wall Hung ADA High Efficiency Flush Valve Bowl

Flush Cycle

- 1.1 gpf to 1.6 gpf / 4.2 Lpf to 6.0 Lpf
- Flush volume is determined by flushometer used with bowl

Fixture Specifications

- Complies with ADA Accessible Standards
- White Color
- Vitreous China
- Wall Hung Water Closet Bowl
- Elongated Rim
- 1-1/2" (38mm) I.P.S. Top Spud Inlet
- 2" (50mm) Fully Glazed Trapway
- 7-1/2" (190mm) x 8-1/2" (216mm) Water Surface Area
- Direct Feed Jet
- 100% Factory Tested
- Toilet Seat Not Included
- Flushometer Not Included



Plumbing System Requirements

- Minimum Flowing Pressure: 25 PSI
- Maximum Static Pressure: 80 PSI
- Minimum Flow Rate: 25 GPM

Compliance & Certifications

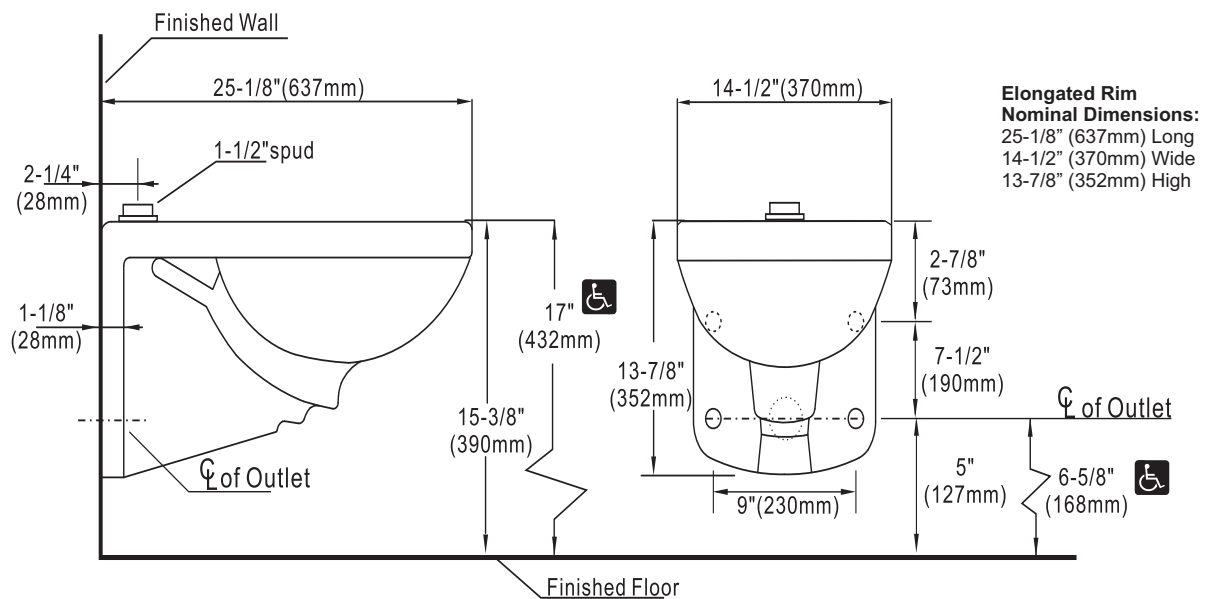
- ASME A112.19.2/CSA B45.1
- Energy Act of 1992
- ADA- With installation consideration for section 604 Water Closets, Accessibility Guidelines.
- ICC/ANSI A117.1
- TAS - With installation consideration for section: 4.16.3. Adult seat height 17" (432mm) to 19" (483mm).
- CSA B651 - With installation consideration for Clause 4.3.6 of the standard.
- ICC-ES PMG® Certified
- WaterSense® Listed



Warranty
1 Year

This space for Architect/Engineer Approval

The information contained in this document is subject to change without notice.



Advanced Modern Technologies Corporation • 19800 Nordhoff Place • Chatsworth, CA 91311
Tel: (818) 883-2682 • Toll Free: (800) 874-7822 • Fax: (818) 883-2620 • www.amtccorporation.com