



# HYBRIDFLUSH<sup>®</sup> AUTOMATIC ADA Wall Hung High Efficiency Flush Valve System

Model  
AEF1012WT11

## Description

Battery Powered, Sensor Operated HYBRIDFLUSH<sup>®</sup> Top Mount Complete HET System with Exposed Automatic Water Closet Flushometer and ADA Vitreous China Fixture.

## Flush Cycle

Model AEF1012WT11 (1.1 gpf/4.2 Lpf)

## Specifications

### Flushometer Specification (Model AEF-801-CT-11)

- Patented BRV<sup>®</sup> and Gear Motor Drive
- Hands Free Infrared Sensor Activation
- Vandal and Water Resistant Design
- Chrome Plated All Metal Housing
- Quiet Operation
- True Mechanical Override (Side)
  - \*Mechanical Button/Handle Works When Batteries are Drained
- Operates on (4) "AA" Alkaline Batteries (Included)
- Battery Life - 3+ Years
- "Low Battery" Blinking LED Indicator
- Easy Battery Replacement-No Water Shut Off Necessary
- Adjustable Sensor Angle
- Adjustable Sensor Distance
- Optional Three (3) Second Flush Delay Mode
- Optional 24-Hour Flush Mode
- Uses Proprietary Silicone Diaphragm with Filtered Bypass
- 1" I.P.S. Angle Stop
- Adjustable Tailpiece
- High Back Pressure Vacuum Breaker with Single Piece Hex Coupling Nut
- Spud Coupling and Flange for 1 1/2" Top Spud
- Sweat Solder Kit and Wall Flange with Set Screw
- High Efficiency For Water Conservation

### Compliance & Certifications

- ASSE 1037-2015
- ASME A112.1035-2015
- CSA B125.37-15



For Finish Variations Please Consult Factory

### Accessories (Add suffix to model number for accessories)

HC801 - Cover for Mechanical Flush Button

### Fixture Specification (Model AUT-1012W)

- Complies with ADA Accessible Standards
- White Color
- Vitreous China
- Wall Hung Water Closet Bowl
- Elongated Rim
- 10" (254mm) Rough-In
- 1-1/2" (38mm) I.P.S. Top Spud Inlet
- 2" (50mm) Fully Glazed Trapway
- 7-1/2" (190mm) x 8-1/2" (216mm) Water Surface Area
- Direct Feed Jet
- 100% Factory Tested
- Toilet Seat Not Included

### Compliance & Certifications

- ASME A112.19.2/CSA B45.1
- Energy Act of 1992
- ADA- With installation consideration for section 604 Water Closets, Accessibility Guidelines.
- ICC/ANSI A117.1
- TAS - With installation consideration for section: 4.16.3. Adult seat height 17" (432mm) to 19" (483mm).
- CSA B651 - With installation consideration for Clause 4.3.6 of the standard.
- ICC-ES PMG<sup>®</sup> Certified
- WaterSense<sup>®</sup> Listed



### Plumbing System Requirements

- Minimum Flowing Pressure: 25 PSI
- Maximum Static Pressure: 80 PSI
- Minimum Flow Rate: 25 GPM



## The HYBRIDFLUSH<sup>®</sup> Advantage

The HYBRIDFLUSH<sup>®</sup> is a revolutionary full-featured automatic/manual flush valve system. The HYBRIDFLUSH<sup>®</sup> incorporates a unique patented mechanism that allows for automatic/manual operation for unsurpassed reliability. The patented HYBRIDFLUSH<sup>®</sup> design allows for the original flush handle or push button to be used as an alternate flush option that is independent of the battery power. The HYBRIDFLUSH<sup>®</sup> by Advanced Modern Technologies Corporation is the most efficient, economical, and complete automatic flush valve system on the market.



Warranty  
5 Years



ADA Compliant

## Architect/Engineer Approval

Job Name	_____
Date	_____
Model Specified	_____
Quantity	_____
Variations Specified	_____
Customer/Wholesaler	_____
Contractor	_____
Architect	_____

The information contained in this document is subject to change without notice.  
Revision (10/17)



# HYBRIDFLUSH<sup>®</sup> AUTOMATIC

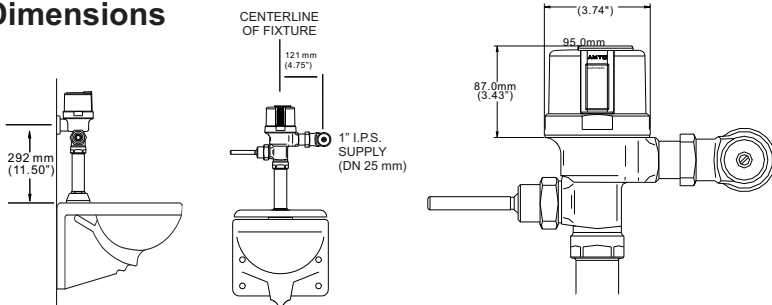
ADA Wall Hung High Efficiency Flush Valve System

Model  
AEF1012WT11

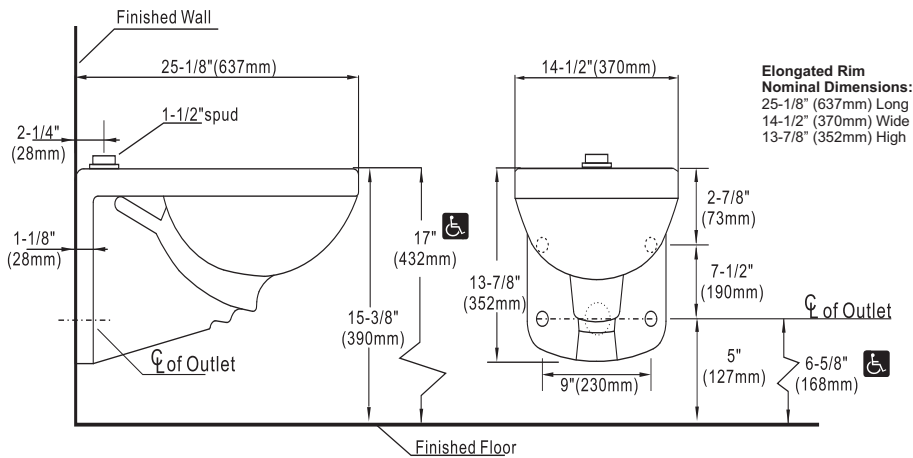
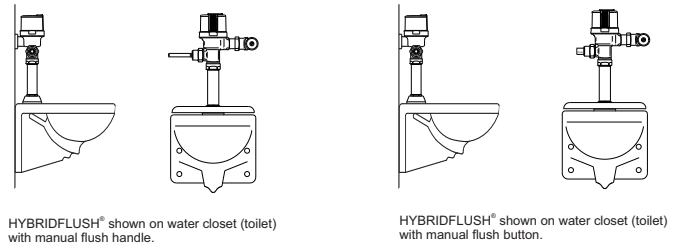
## Specifications

<b>Operation:</b>	<b>Hybrid (Automatic/Manual)</b>
<b>Outer Casing:</b>	<b>Standard-Chrome Metal</b>
<b>Operating Water Pressure:</b>	<b>15 PSI - 100 PSI</b>
<b>Sensor Type:</b>	<b>Infrared</b>
<b>Battery Type:</b>	<b>Four AA Alkaline Batteries</b>
<b>Battery Life:</b>	<b>3+ Years</b>
<b>Arming Delay:</b>	<b>5 Seconds</b>
<b>Flush Delay:</b>	<b>3 Seconds</b>
<b>Sensing Range:</b>	<b>18" (45cm) - 30" (75cm) Adjustable</b>
<b>Ghost Flush:</b>	<b>Once every 24 Hours From Last Flush</b>
<b>Sensor Angle:</b>	<b>Adjustable Angle</b>
<b>Flush Cycle:</b>	<b>Specified by Model</b>
<b>Model AEF1012WT11</b>	<b>1.1 gpf/4.2 Lpf</b>
<b>Flush Mode:</b>	<b>After Every Use</b>
<b>Manual Override:</b>	<b>Mechanical Flush Button or None</b>

### Dimensions



### Application



### Disclaimer

Note: All vitreous china dimensions shown in these drawings are nominal and not to scale. Dimensions can vary within the tolerances established in the governing ASME A112.19.2/CSA B45.1 standard. It is important to consider this when planning rough-in and plumbing layouts.



4840 York Blvd | Los Angeles CA 90042 | [www.CandSupply.com](http://www.CandSupply.com)  
Toll Free: (800) 458-2377 | Fax: (323) 258-6523 | [sales@CandSupply.com](mailto:sales@CandSupply.com)