



# HYBRIDFLUSH® TOP MOUNT

AUTOMATIC/MANUAL RETROFIT FOR URINALS

Model  
AEF-802-RU

## Description

Battery Powered, Sensor Operated HYBRIDFLUSH® Top Mount Retrofit Conversion Kit for Exposed Urinal Flushometers.

## Flush Cycle

- Model AEF-802-RU-18 (0.125 gpf/0.5 Lpf)
- Model AEF-802-RU-05 (0.5 gpf/1.9 Lpf)
- Model AEF-802-RU-10 (1.0 gpf/3.8 Lpf)
- Model AEF-802-RU-15 (1.5 gpf/5.7 Lpf)

## Retrofit Options (Add suffix to model number for variations)

- S Retrofit for Sloan® Valve Bodies
- Z Retrofit for Zurn® Valve Bodies

## Features

- Patented BRV® and Gear Motor Drive
- Hands Free Infrared Sensor Activation
- Vandal and Water Resistant Design
- Chrome Plated Brass Housing
- Quiet Operation
- Electronic Push Button (Top)
- True Mechanical Flush Button or Handle (Side)
- \*Mechanical Button/Handle Works When Batteries are Drained
- Operates on (4) "AA" Alkaline Batteries (Included)
- Battery Life - 3+ Years
- "Low Battery" Blinking LED Indicator
- Easy Battery Replacement-No Water Shut Off Necessary
- Adjustable Sensor Angle
- Adjustable Sensor Distance
- Optional Water Saver Mode
- Optional Three (3) Second Flush Delay Mode
- Optional 24-Hour Flush Mode
- Uses Proprietary Silicone Diaphragm with Filtered Bypass

## Accessories (Add suffix to model number for accessories)

- HC801 Cover for Mechanical Flush Button/Handle
- PB-C Push Button Assembly



## The HYBRIDFLUSH® Advantage

The **HYBRIDFLUSH®** is a revolutionary full-featured automatic/manual retrofit conversion kit. The **HYBRIDFLUSH®** incorporates a unique patented mechanism that allows for automatic/manual operation for unsurpassed reliability. The patented **HYBRIDFLUSH®** design allows for the original flush handle or push button to be used as an alternate flush option that is independent of the battery power. The **HYBRIDFLUSH®** by Advanced Modern Technologies Corporation is the most efficient, economical, and complete automatic flush valve system on the market.

**Warranty**  
5 Years



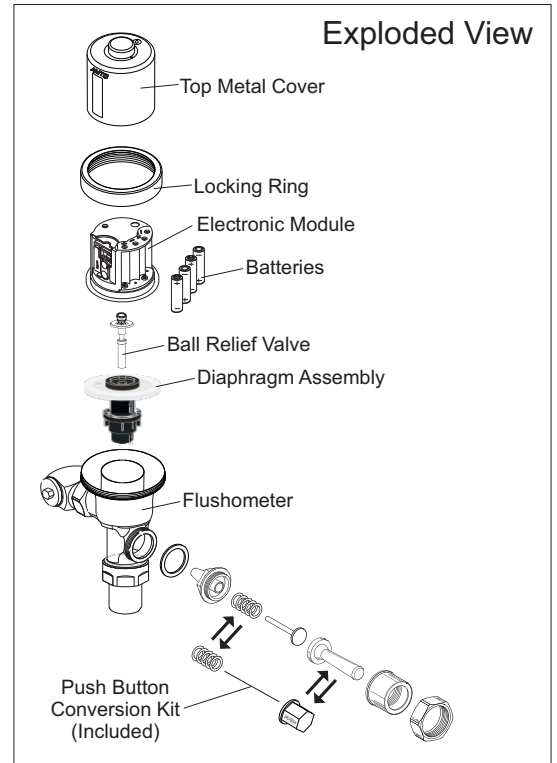
For Finish Variations Please Consult Factory

### Architect/Engineer Approval

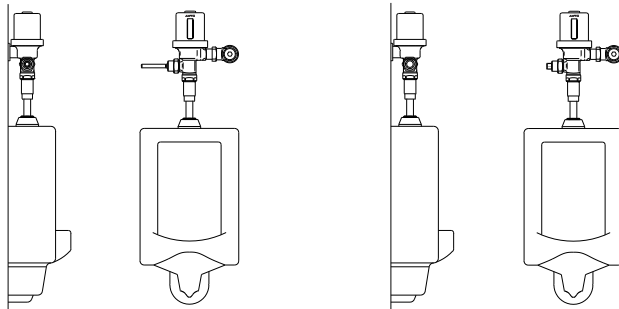
Job Name	_____
Date	_____
Model Specified	_____
Quantity	_____
Variations Specified	_____
Customer/Wholesaler	_____
Contractor	_____
Architect	_____

Specifications:

<b>Operation:</b>	<b>Hybrid (Automatic/Manual)</b>
<b>Outer Casing:</b>	<b>Standard-Chrome Metal</b>
<b>Operating Water Pressure:</b>	<b>15 PSI - 100 PSI</b>
<b>Sensor Type:</b>	<b>Infrared</b>
<b>Battery Type:</b>	<b>Four AA Alkaline Batteries</b>
<b>Battery Life:</b>	<b>3+ Years</b>
<b>Arming Delay:</b>	<b>5 Seconds</b>
<b>Sensing Range:</b>	<b>18" (45cm) - 30" (75cm) Adjustable</b>
<b>Ghost Flush:</b>	<b>Once every 24 Hours From Last Flush</b>
<b>Sensor Angle:</b>	<b>Adjustable Angle</b>
<b>Flush Cycle:</b>	<b>Specified by Model</b>
<b>Model AEF-802-RU-18</b>	<b>0.125 gpf/0.5 Lpf</b>
<b>Model AEF-802-RU-05</b>	<b>0.5 gpf/1.9 Lpf</b>
<b>Model AEF-802-RU-10</b>	<b>1.0 gpf/3.8 Lpf</b>
<b>Model AEF-802-RU-15</b>	<b>1.5 gpf/5.7 Lpf</b>
<b>Flush Mode:</b>	<b>After Every Use</b>
<b>Water Saver Mode:</b>	<b>After Every Other Use</b>
<b>Manual Override:</b>	<b>Flush Button/Handle/None</b>

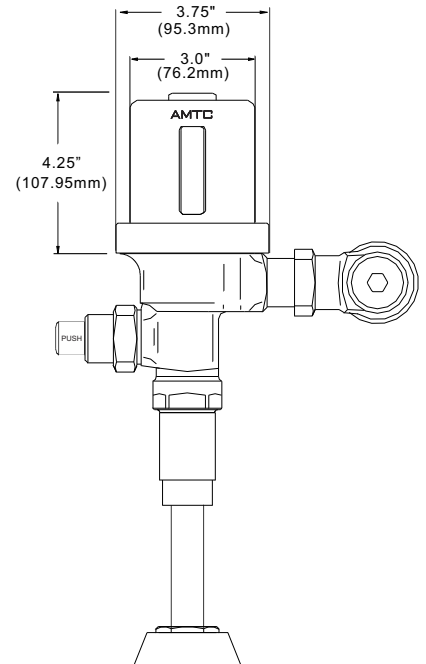


Application:



HYBRIDFLUSH® shown on urinal with mechanical flush handle.

HYBRIDFLUSH® shown on urinal with mechanical push button.



Rough-In:

