

XLERATOR® HAND DRYER

ADA RECESS KIT

C&L Supply Company
Smarter Industrial Solutions
Est. 1981

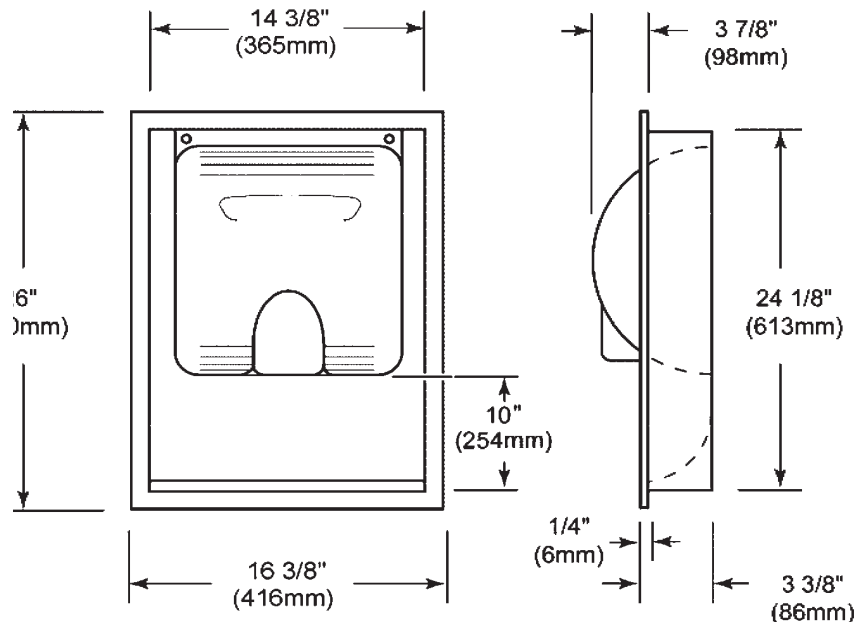
4840 York Blvd | Los Angeles CA 90042
www.CandLsupply.com
Toll Free: (800) 458-2377 | Fax: (323) 258-6523
sales@CandLsupply.com



*** MEETS ADA PROTRUSION REQUIREMENT OF 4 INCHES (102 MM) ***



40502
Recess Kit,
Brushed Stainless Steel



WEIGHT

11 lbs. (4.99 KG)

OVERALL DIMENSIONS

16 3/8" wide x 26" high x 3 3/8" deep
(416 mm wide x 660 mm high x 86 mm deep)

ROUGH WALL OPENING

14 1/2" wide x 24 3/8" high x 4" deep
(368 mm wide x 619 mm high x 102 mm deep)

CONSTRUCTION

Wall box is fabricated of 22 GA 18-8 type 304 stainless steel with #4 satin finish with 16 GA 18-8 type 304 stainless steel dryer mounting plate. All welded construction.

INSTALLATION GUIDE (CONSULT LOCAL ADA CODES)

When installed, bottom of hand dryer will be 10" (254 mm) above bottom of rough wall opening. Therefore, bottom of rough wall opening should be 10" (254 mm) below suggested mounting height for hand dryer. (See suggested mounting heights above). 18-8 type 304 stainless steel dryer mounting plate. All welded construction.

SUGGESTED MOUNTING HEIGHTS (FROM FLOOR TO BOTTOM OF DRYER)

Men's	45" (114 cm)	Children	35" (89 cm)
Ladies'	43" (109 cm)	Accessible	37" (94 cm)
Teenagers'	41" (104 cm)		



Part ID	Description
40502	Recess Kit, Brushed Stainless Steel (for ADA 4" protrusion requirements)

40502SP	Recess Kit, Custom Color Painted (for ADA 4" protrusion requirements)
----------------	---

Part ID	Description	UPC #
40502R	Red Baron	70025113198
40502B	Raven Black	70025112951
40502SP	Special Paint	70025113199
40502GR	Graphite	70025113439
40502W	White	70025112952



TIME TO THROW IN THE TOWEL®

EXCEL DRYER INC • 1.800.255.9235 • EXCELDRYER.COM

DEC
2021

21EDS1017