

# ELBA

## DC CEILING FAN

**MODEL: ECF-N5610(BK) / ECF-N5612L(BK)  
ECF-N5650(BK) / ECF-N5650(GR)  
ECF-N5652L(BK) / ECF-N6030(BK)  
ECF-N6030(GR) / ECF-N6032L(BK)**

### Owner's Manual

Please read this manual carefully before operating your set.

Retain it for future reference.

Record model number and serial number of the set. See the label attached on the set and quote this information to your dealer when you require service.

**For The Warranty Terms & Conditions, Please Refer To Warranty Certificate.**

## IMPORTANT SAFEGUARDS

*REMOVE ALL PACKING MATERIALS FROM THIS PRODUCT BEFORE USING IT. THIS APPLIANCE MUST BE INSTALLED BY A QUALIFIED TECHNICIAN. PLEASE ENSURE THE ELECTRICITY SUPPLY TO THE APPLIANCE IS DISCONNECTED BEFORE INSTALLING.*





Please read this instruction carefully. It is advisable to keep this instruction manual in a safe place for future reference.

1. Keep this appliance out of reach of children. Close supervision is necessary when the appliance is operating near children or infirm persons.
2. This appliance is not intended for use by persons (including children) with reduced physical, sensory or mental capabilities, or lack of experience and knowledge, unless they have been given supervision or instruction concerning the usage of this appliance by a person responsible for their safety.
3. Do not operate the appliance with damaged power cord or plug, after the appliance malfunctions, or if it was dropped or damaged in any manner. Kindly contact the nearest authorized dealer or after-sales service centre for examinations, repairs, electrical or mechanical adjustments.

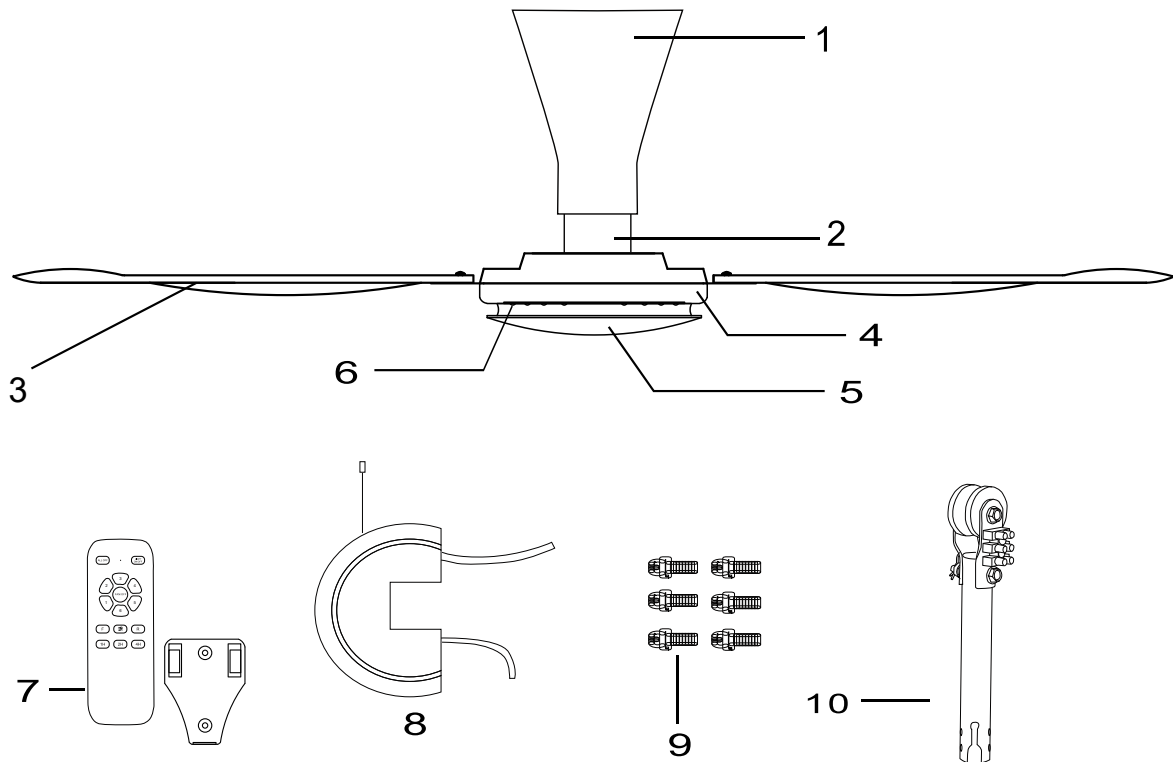
**WARNING – to reduce the risk of fire, electrical shock or injury to persons or property, please read and follow below instructions carefully.**

- The ceiling fan must be hooked on concrete ceiling. Do not install on plaster ceiling or any type of drywall ceilings. During installation, all screws must be tightened at all allocated parts.
- Always operate the product from a power source of the same voltage, frequency and rating as indicated on the product identification marking.
- Always switch off when not in use, before assembling or disassembling parts and before cleaning. Assemble the product completely before operating.
- Avoid continuous exposure towards direct wind flow from the ceiling fan, it may cause discomfort.
- Do not hang on to the ceiling fan as it will cause the fan to drop and cause injuries.
- Do not sprinkle water to the ceiling fan or do not wet the ceiling fan. Fire, explosion, short circuit and electrical shock can occur.
- This product should not be installed in a wet and high humidity area such as shower room. In the event of electrical current leakage, electrical shock and fire can easily occur.
- This product should not be installed in the immediate vicinity of open flame or other heating appliances where the likelihood of burning or high heat could occur.
- This product should not be installed at oily places. Fire, explosion, short circuit and electrical shock can occur.
- Avoid contact with moving parts. Do not touch the ceiling fan blades with any objects when the ceiling fan is spinning.
- Do not install the ceiling fan at places where there is high vibration and impact. The possibility of ceiling fan dropping is high and will cause injury.
- Do not operate it for purposes other than its intended use.
- Always disconnect the product when relocating it.
- The ceiling fan must be mounted above 2.5m from the floor and at least 1m from the wall to the fan blade.

***To avoid injuries caused to users or any damage to properties, please follow all the symbols with explanations written below.***

 <b>WARNING</b>	A state that may be caused by the mishandling of products, which, if not avoided, may lead to the possibility of death or serious injury of users.
 <b>CAUTION</b>	This sign warns of possible injury or damage to property.
	This symbol indicates that the action is <b>COMPULSORY</b> .
	This symbol indicates that the action is <b>PROHIBITED</b> .

# PRODUCT DESCRIPTIONS



1.	Upper Canopy
2.	Lower Canopy
3.	Fan Blade
4.	Decorative Ring
5.	Cover
6.	LED*
7.	Remote Control
8.	Receiver
9.	Blade Screw
10.	Suspension Rod

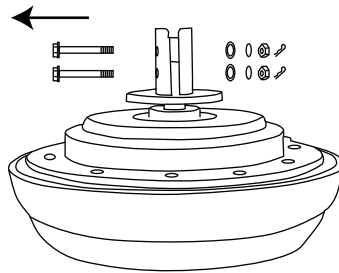
**Remark:** LED module is apply on model ECF-N5612L(BK), ECF-N5652L(BK), ECF-N6032L(BK).

# INSTALLATION GUIDE

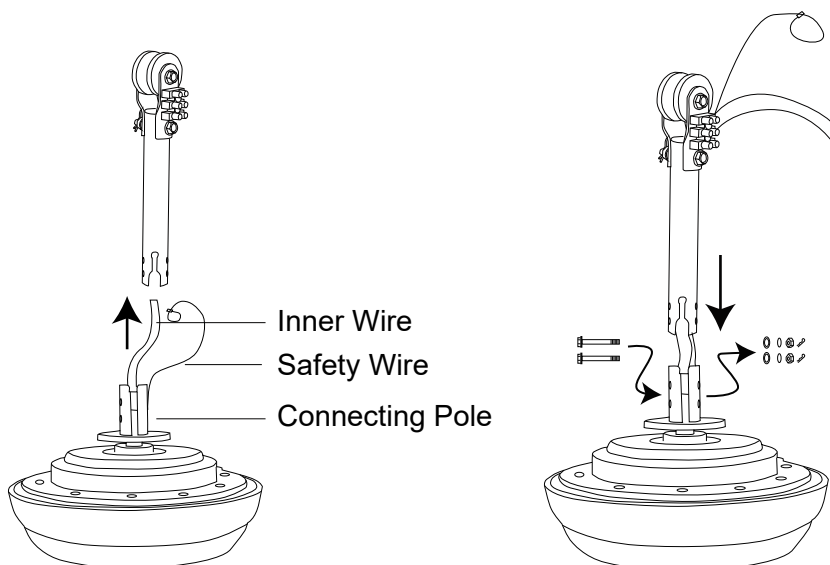
Remove all the packaging materials from the box and ensure all components and parts are complete.

## ASSEMBLY OF FAN

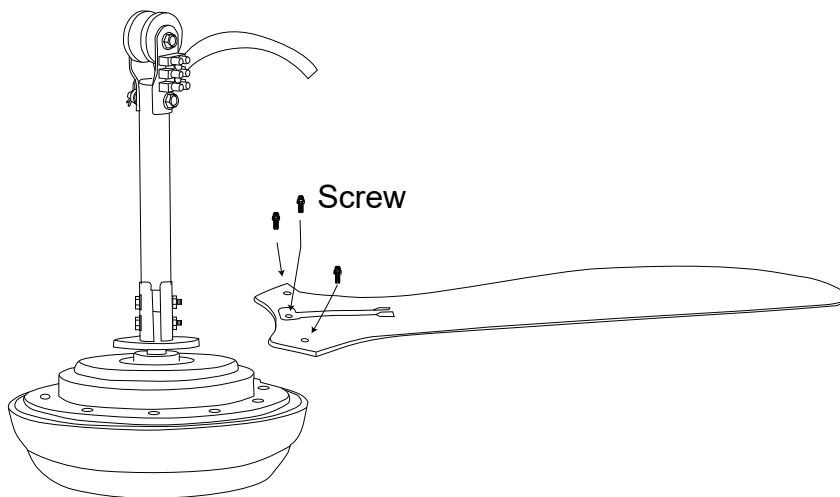
1. Remove 2 pcs of screws from fan body.



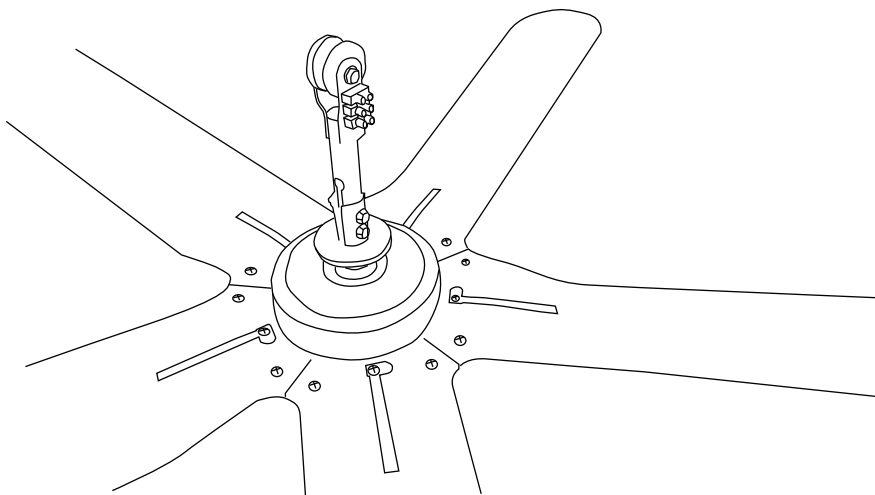
2. Put the wire and safety rope through the suspension rod, align the two holes, then insert the suspension rod into the connector, tightly screwed.



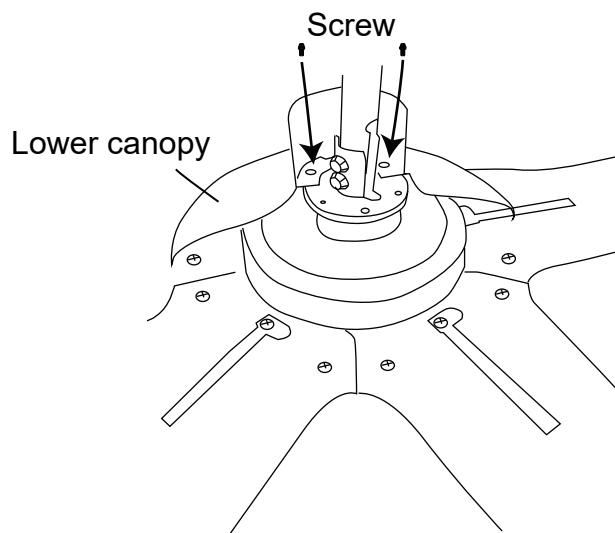
3. Tighten the blade with screws. Ensure the screws are tightly screwed.



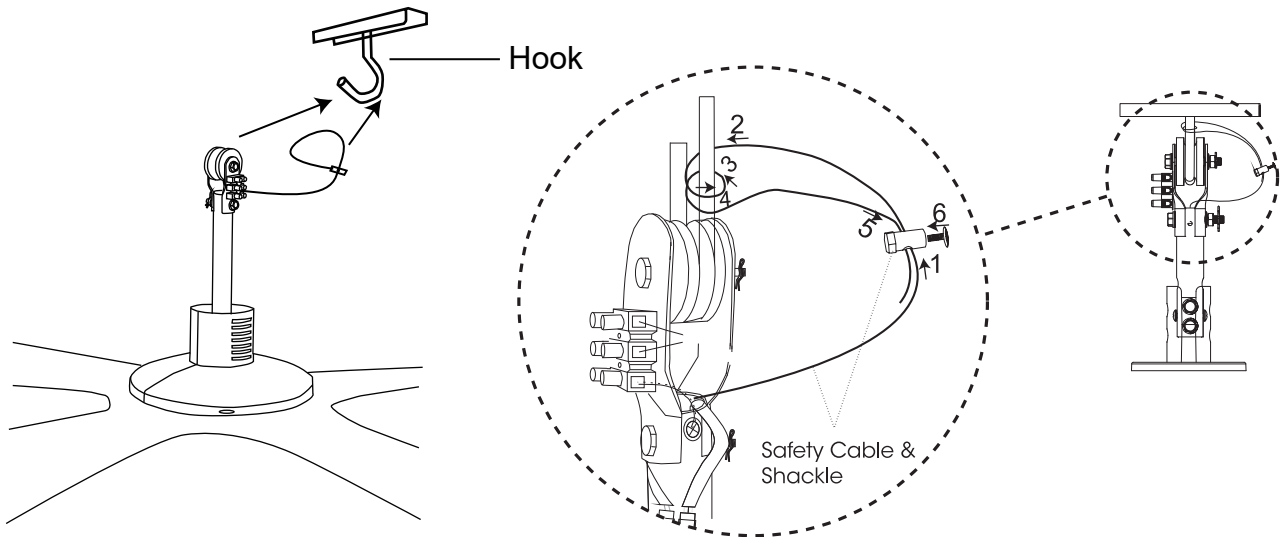
4. Install all the screw as follow and ensure all the screws are tightly screwed.



5. Insert the lower canopy (Left & Right) and tighten the screw as shown.

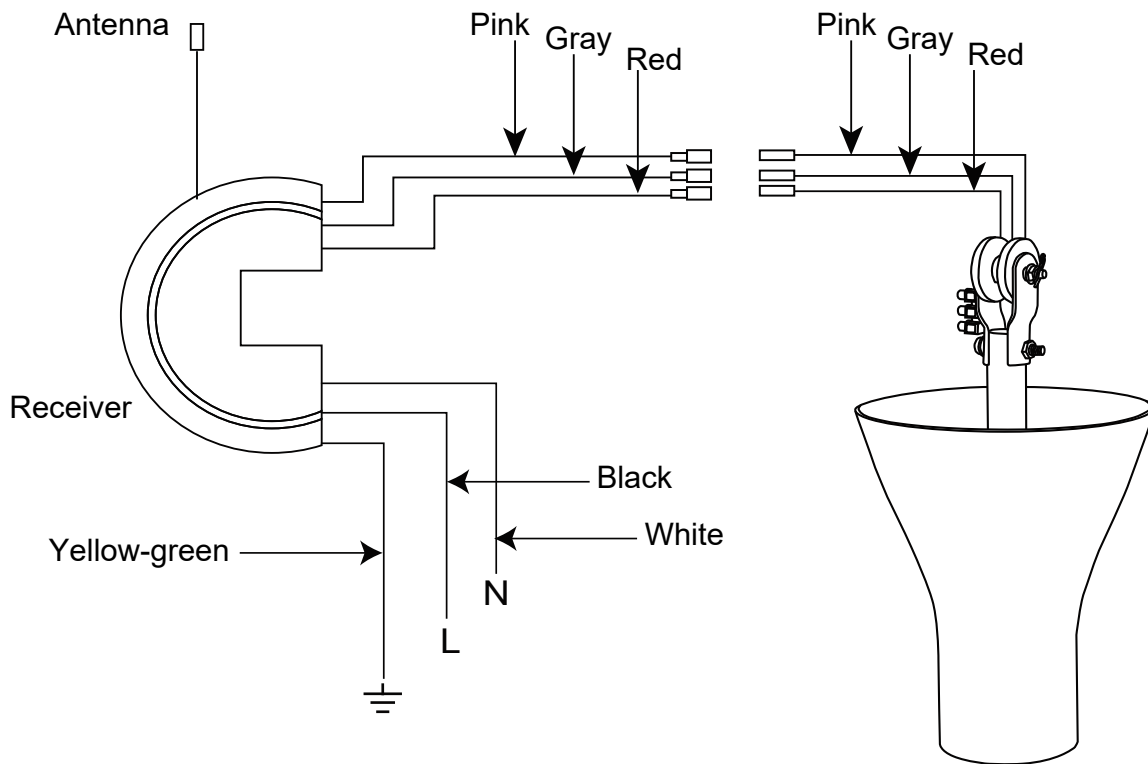


6. Adjust and assemble the safety wire to the appropriate length and place the pulley onto the hook. Loop the safety cable around the ceiling fan and secure it with locking screw (Follow step 1 to 6 as shown).



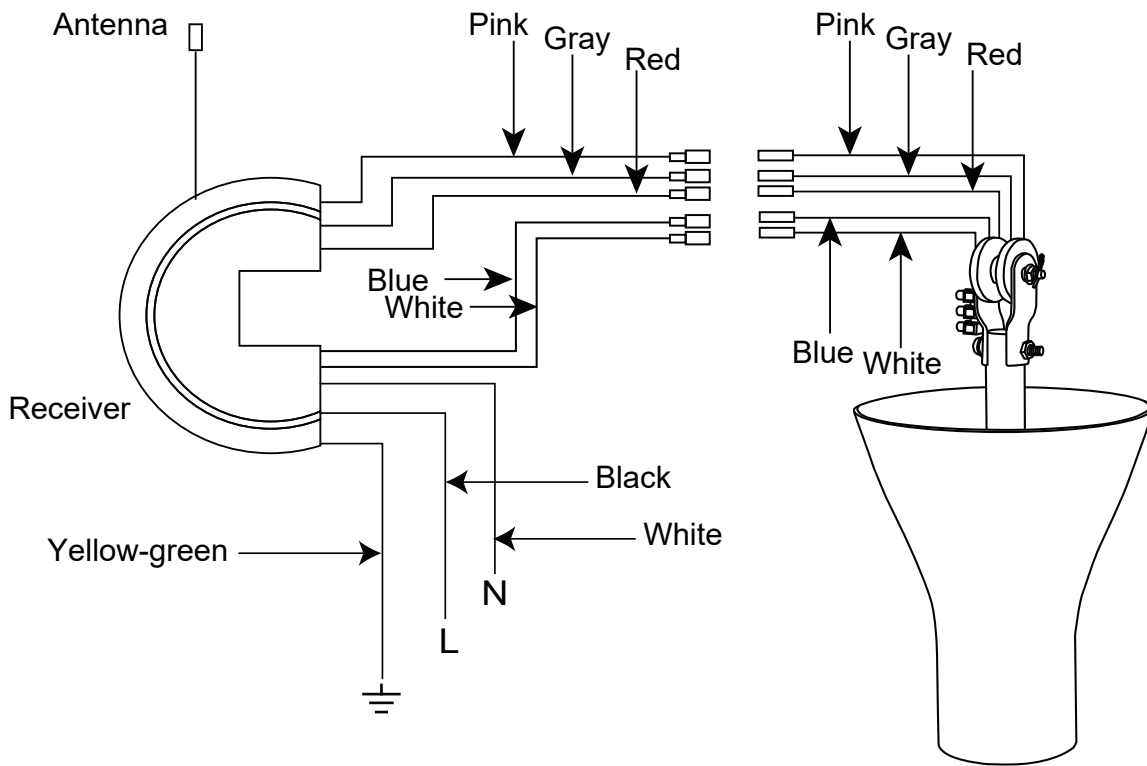
**!** Safety wire must be fixed correctly. Can cause injury if ceiling fan drops.

7. Connect the wiring as shown below to receiver and current (Non LED model).



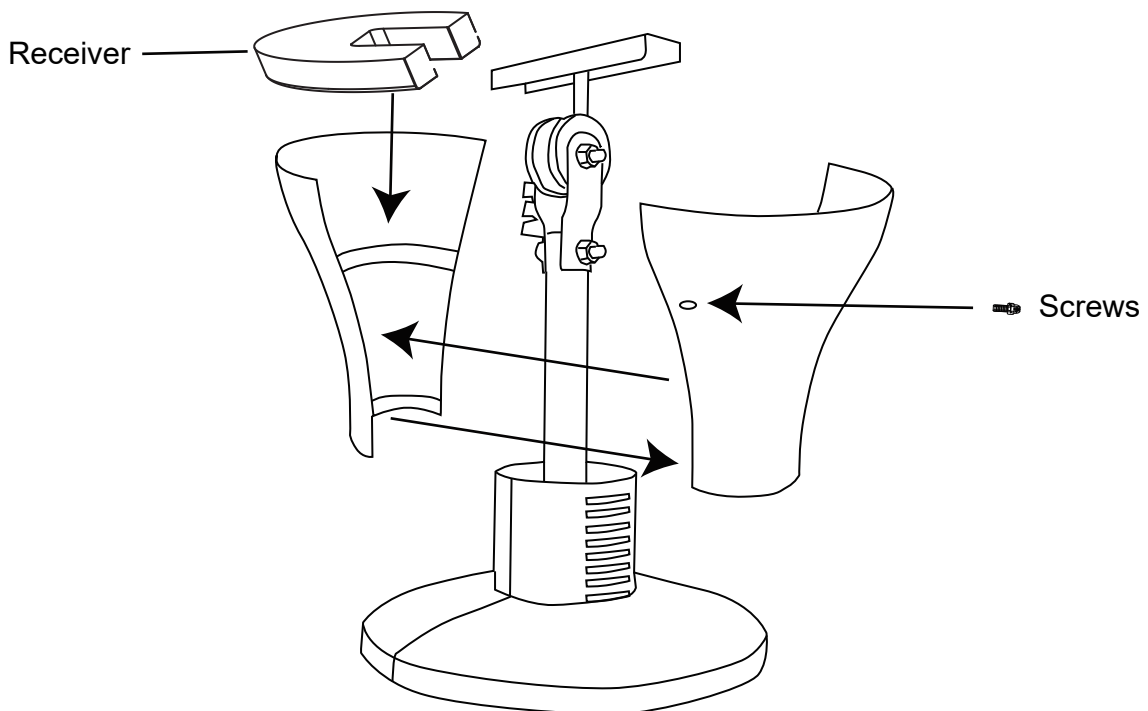
**NON LED MODEL INSTALLATION**

8. Connect the wiring as shown below to receiver and current (LED model).



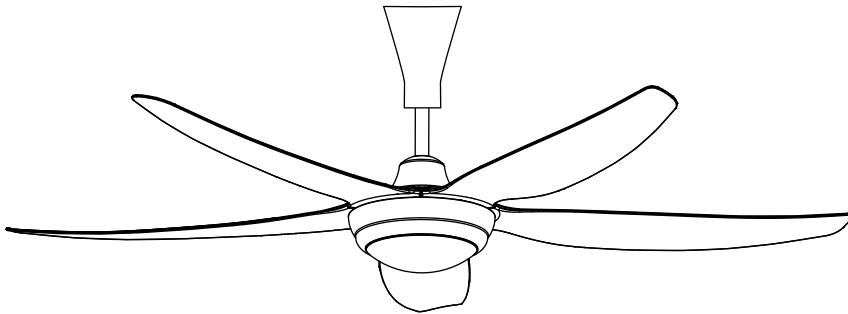
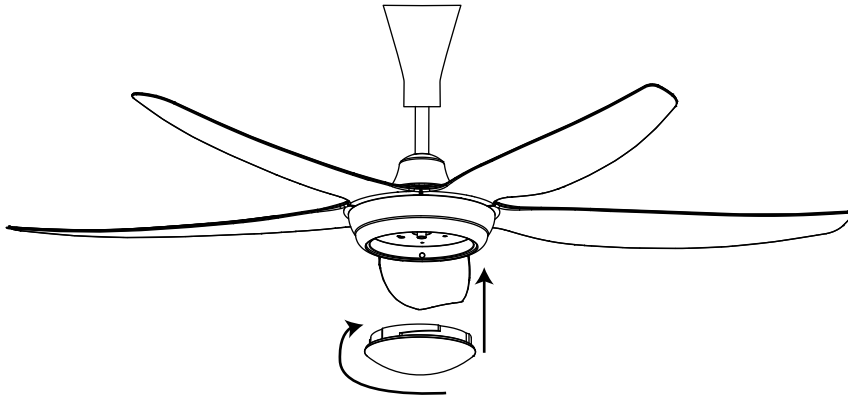
**LED MODEL**

9. After the remote control and receiver is well function, turn off the ceiling fan. Insert the receiver into upper canopy and fixed with screws.



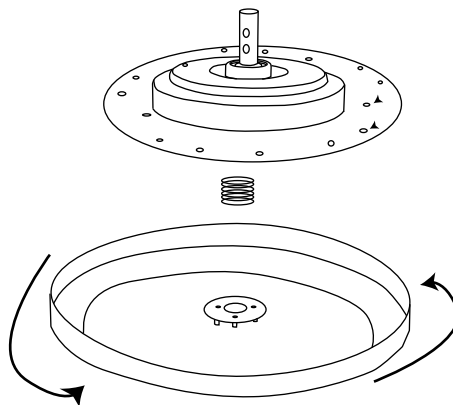


10. Lastly, install the acrylic cover as shown in clockwise direction to tighten.



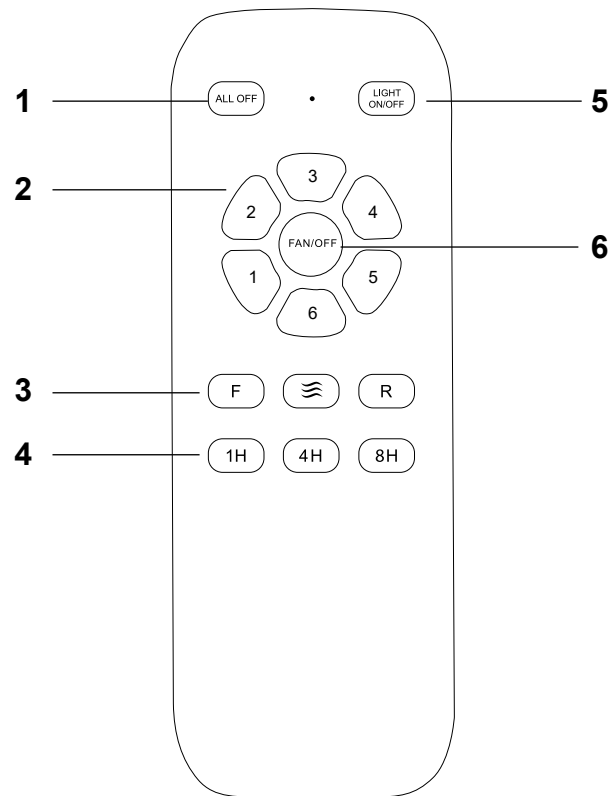
**LED MODEL**

11 Lastly, install the spring before put on the cover as shown in anti-clockwise direction to tighten.



**NON LED MODEL**

# REMOTE CONTROL



## 1. All OFF Button

Turn off the ceiling fan completely

## 2. Fan Speed Button


Turn the fan on at speed 1 to 6.

NOTE: Ceiling fan will memory the operation the last operated fan speed when turn on again.

## 3. Forward (F), Breezelogic Function and Reverse (R) Button

Press “F” button to activate ceiling fan to forward direction.

Press “R” button to activate ceiling fan to turn in reverse direction.

Press  button to activate the Breezelogic function. This function will automatically increase the speed from speed 1 to speed 6 every 10 seconds and reverse from speed 6 to speed 1 with same sequence. Press this button to deactivate the function.

## 4. Timer Button

Set ceiling fan with timer and up to maximum 8 hours.

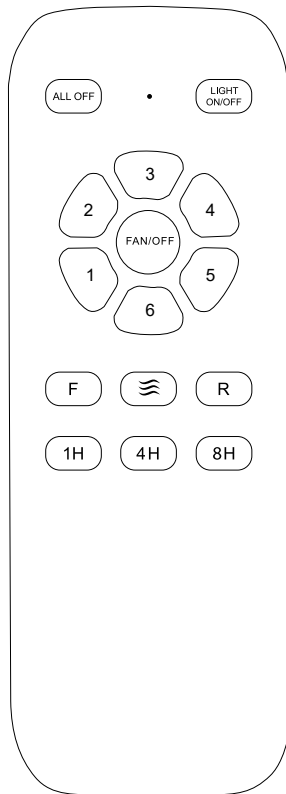
## 5. Light ON/OFF Button

Turn the light ON and change the colour of light, or OFF (only on LED can activate this function).

## 6. Fan OFF Button


In order to stop the ceiling fan, press this button to stop ceiling fan (LED will not affected).

## MATCHING CODE FOR NEW REMOTE CONTROL



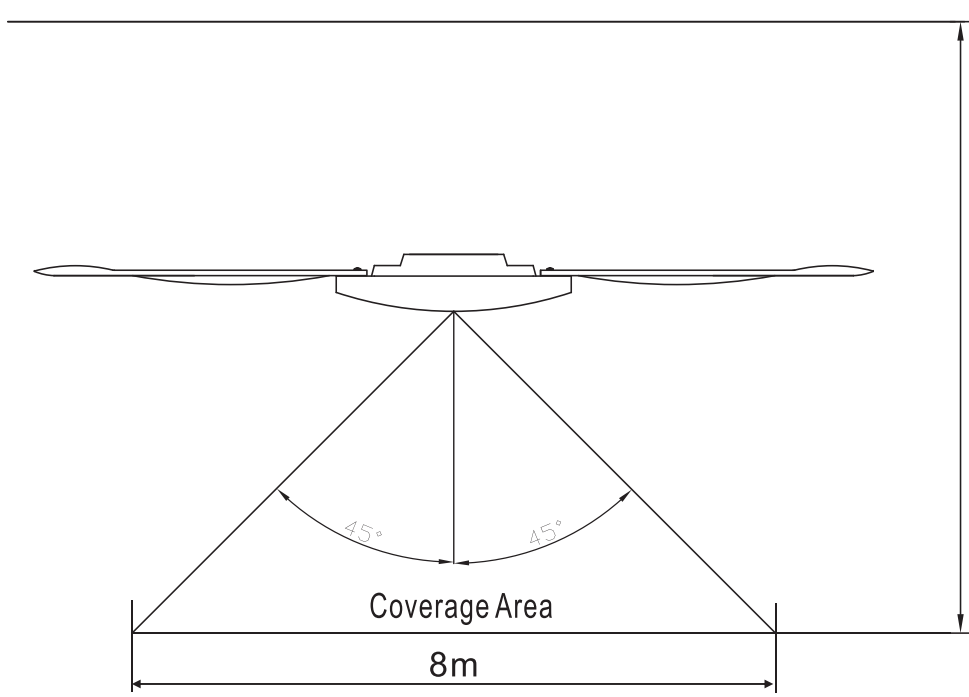
**NOTE: When the existing remote control not functioning anymore, you require to purchase a new remote control and conduct the matching code before new remote can function.**

### **Step to match code on new remote control:**

Press remote control  button for 3 seconds, after that the ceiling fan will alert “Di” sound for 2 times. This process show the matching code for new remote control is complete. If the matching code is not successful, please turn off the ceiling fan for 1 min and repeat the above operation.

**If the matching code is not successful after above operation, please check the battery to ensure in workable condition.**

# REMOTE CONTROL COVERAGE



The figure shows the best coverage area. The ideal ceiling height is 3~4m.

## CLEANING AND MAINTENANCE

Conduct checking on the fan condition at least once per year.

If any problem occurs, stop using the fan immediately and refer to the nearest authorized dealer or after-sales service center for examinations, repairs, electrical or mechanical adjustments.

Keep the fan clean regularly.

Wipe away dirt with a clean soft cloth, mild soap and water. Ensure it is dry by wiping again. Do not use solvents (gasoline or petrol)

Do not paint the blades.

If damaged, order a brand new set of Blades from the nearest authorized dealer or after-sales service center.

## MAIN SPECIFICATION

Model : ECF-N5610(BK)  
Voltage : 220-240V~, 50-60Hz  
Rated Power : 40W  
Fan Size : 56-Inch

Model : ECF-N5612L(BK)  
Voltage : 220-240V~, 50-60Hz  
Rated Power : 58W  
Fan Size : 56-Inch

Model : ECF-N5650(BK) / ECF-N5650(GR)  
Voltage : 220-240V~, 50-60Hz  
Rated Power : 40W  
Fan Size : 56-Inch

Model : ECF-N5652L(BK)  
Voltage : 220-240V~, 50-60Hz  
Rated Power : 62W  
Fan Size : 56-Inch

Model : ECF-N6030(BK) / ECF-N6030(GR)  
Voltage : 220-240V~, 50-60Hz  
Rated Power : 50W  
Fan Size : 60-Inch

Model : ECF-N6032L(BK)  
Voltage : 220-240V , 50-60Hz  
Rated Power : 72W  
Fan Size : 60-Inch

### NOTICE

This product must not be disposed together with domestic waste. It has to be disposed at an authorized place for recycling of electrical and electronic appliances. By collecting and recycling waste, you help to save natural resources and make sure the product is disposed in an environmentally friendly and healthy way.



**ELBA**