



ELBA

**GLASS MOUNTED
VENTILATION FAN
MODEL: EGVF-E0615(WH)
EGVF-E0815(WH)**

Owner's Manual

Please read this manual carefully before operating your set.

Retain it for future reference.

Record model number and serial number of the set.

See the label attached on the set and quote this information to your dealer when you require service.

For The Warranty Terms & Conditions, Please Refer To Warranty Certificate.

REMOVE ALL PACKING MATERIALS FROM THIS PRODUCT BEFORE USING IT. THIS APPLIANCE MUST BE INSTALLED ON A FLAT SURFACE. PLEASE ENSURE THE ELECTRIC SUPPLY TO THIS APPLIANCE IS DISCONNECTED BEFORE INSTALLING.

Please read this instruction carefully. It is advisable to keep this instruction manual in a safe place for future reference.

GENERAL SAFETY INFORMATION

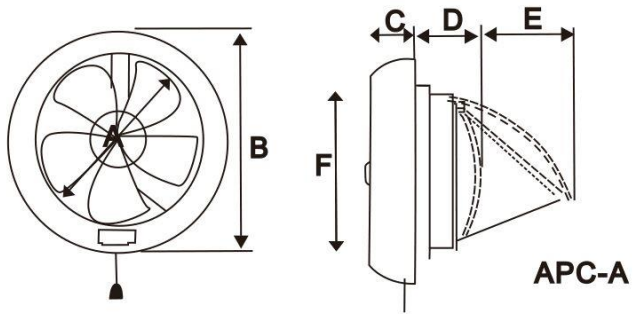
When using electrical appliances, basic precautions should always be followed to reduce the risk of fire, electric shock and injury to persons, including the following:

Read all instructions before using Fan:-

1. Read the instructions carefully since they give important indications concerning installation, use and maintenance.
2. Be sure to choose appropriate voltage (220-240V/50Hz) before connecting with power source.
3. Power plug is not included in the appliance and comes separately. It is recommended to install the appliance directly to a wall socket with individual wall switch.
4. Check the condition of the fan after removing from the packaging. Ensure that all component parts of the fan are within the packaging and have not been damaged.
5. Never leave any parts of the packaging within reach of children.
6. This fan must only be used for the purpose for which it is designed i.e. for exhaust purpose.
7. Never insert objects into the blade of the fan.
8. Before carrying out any cleaning or servicing operation, always switch off the power supply to the fan.
9. In the event of the fan failing to operate, all repairs must be undertaken by a company service center.
10. Do not install the fan where it could be exposed to excess vapor or direct water splash.
11. To avoid the air flow which is vented out from the ventilating fans circumsfluence again, when the fan is working the windows or the door which face the same direction of the air being vented out should be closed.
12. The appliance is not intended for use by any persons (including children) either reduced physical, sensory or mental capabilities, or lack of experience and knowledge, unless they have been given supervision or instruction. Children should be supervised to ensure that they do not play with the appliance.
13. To install this unit over 2.3M high from floor.
14. Contact gap must be at least 3MM all-pole disconnection device.

WARNING

DO NOT CONNECT TO MAINS SUPPLY BEFORE ASSEMBLY IS COMPLETED.THE IMPORTANT SAFEGUARDS AND INSTRUCTION APPEARING IN THIS MANUAL ARE NOT MEANT TO COVER ALL POSSIBLE CONDITIONS AND SITUATIONS THAT MAY OCCUR.IT MUST BE UNDERSTOOD THAT COMMON SENSE, CAUTION AND CARE ARE FACTORS WHICH CANNOT BE BUILT INTO ANY PRODUCT.THESE FACTORS MUST BE SUPPLIED BY THE PERSON(S) USING AND OPERATING THE UNIT.



Size	A	B	C	D	E
150(6")	150	208	44	41	89
200(8")	200	272	50	54	126

INSTALLATION METHOD

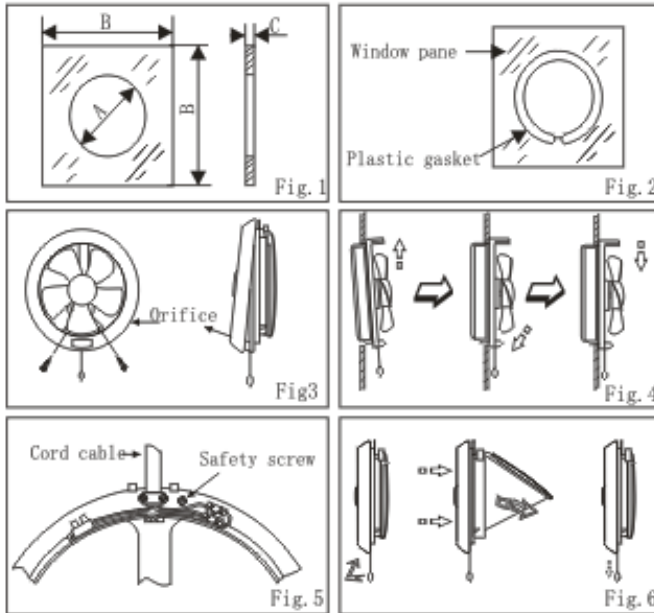


Fig.1 Assembling dimensions.

Fig.2 Place the plastic gasket at the inner diameter of the assembling hole.

Fig.3 Disassemble the 2 screw at the orifice and then take out the orifice from the fan body.

Fig.4 Place the fan body (without orifice) onto the assembling hole.

Fig.5 Fasten the safety screws on the fan body.

Fig.6 operating procedures.

On: Pull the string a little bit forward and then release.

Off: Pull the string downward.

CLEANING AND MAINTENANCE

1. Before carry out any cleaning or servicing operation, ensure that the fan is switched off and blade is stationary.
2. Never use petrol, benzene, thinner or any other such chemicals for cleaning the exhaust fan.
3. Do not allow water to contact electrical parts such as motor or switches.
4. Do not immerse blades and/ or other plastic parts in hot water over 60°C.
5. Wear plastic gloves during cleaning may avoid accidents.
6. Wooden or abrasive cleaners to clean the appliance.

WARNING: DO NOT IMMERSE THE APPLIANCE INTO WATER. ENSURE THAT THE FAN IS UNPLUGGED FROM THE POWER SUPPLY BEFORE REMOVING THE GUARD.

NOTICE

This product must not be disposed together with domestic waste. It has to be disposed at an authorized place for recycling of electrical and electronic appliances. By collecting and recycling waste, you help to save natural resources and make sure the product is disposed in an environmental friendly and healthy way.



ELBA