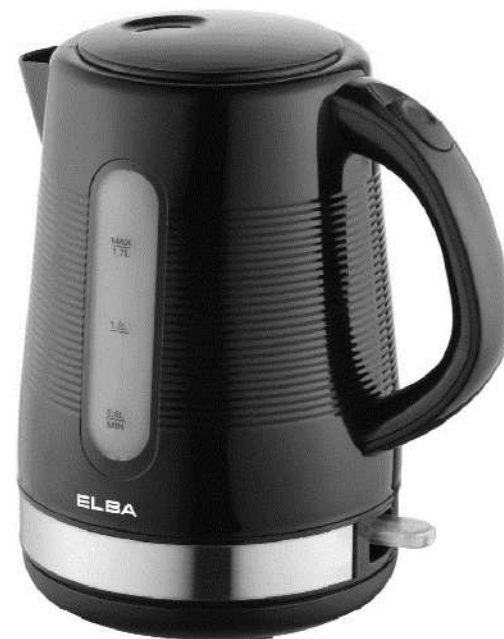


ELBA



ELBA

JUG KETTLE

MODEL: EJK-J1734(BK)

Owner's Manual

Please read this manual carefully before operating your set.

Retain it for future reference.

Record model number and serial number of the set.

See the label attached on the set and quote this information to your dealer when you require service.

For The Warranty Terms & Conditions, Please Refer To Warranty Certificate.

IMPORTANT SAFEGUARDS

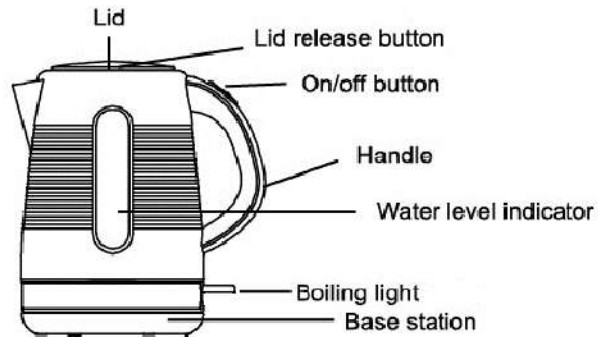
When using this appliance, basic precautions should always be followed, including the following:

1. Read all instructions before using.
2. Do not operate the appliance with a damaged power cord or plug or after the appliance malfunctions, or it is dropped or damaged in any manner. Return the appliance to the nearest authorized dealer or after-sales service centre for examination, repair or mechanical adjustment.
3. Do not let the power cord hang over edge of table or hot surface.
4. To protect against electric shock, do not immerse power cord, plug, or the product body of the appliance in water or any other liquids.
5. Unplug the plug from wall outlet when not in use.
6. Do not place the appliance on or near the gas or electric burner, or in a heated oven.
7. Never use any accessories or parts that ELBA does not specifically recommend.
8. Should the base station become moist or wet, remove the plug from the wall outlet immediately.
9. **Never immerse the jug kettle and base station in water or any other liquids not rinse it under the tap. Use only a moist cloth to clean the exterior health pot and dry cloth to wipe the base station.**
10. This appliance is only be used with the base station provided.
11. Warning: if the jug kettle is overfilled, boiling water may be ejected.
12. Children should be supervised to ensure that they do not play with the appliance.
13. Close supervision is necessary when your appliance is being used near children or infirm persons.
14. Do not operate the appliance for other than its intended use.
15. Do not use this jug kettle outdoors.
16. This appliance is for domestic use only.
17. This appliance is not intended for used by person (including children) with reduced physical, sensory or mental capabilities, or lack of experience and knowledge, unless they have been given supervision or instruction concerning use of appliances by a person responsible for their safety.
18. Save these instructions for future reference.

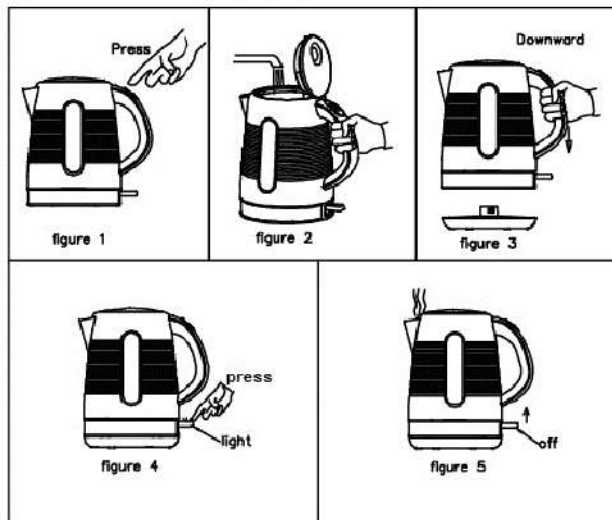
SPECIAL SAFETY INSTRUSTION FOR USING THIS JUG KETTLE

1. Use only cold plain water to boil with the appliance. It is recommended to use filtered water to prolong the lifespan of the product.
2. Water level must be filled above the MIN line and below the MAX line. Do not add additives, food or other ingredients into the jug kettle.
3. Always power off the jug kettle before removing from the base station.
4. Always ensure that the lid is tightly closed.
5. Never immerse the base station in water or any other liquids.
6. The base station must not become wet.
7. The jug kettle used must be match with the jug kettle base station.

PRODUCT DESCRIPTION



OPERATING THE APPLIANCE



Before using the appliance for the first time, water should be boiled in 2 times without any additives.

1. Figure 1: Pull the lid handle to open.
2. Figure 2: Fill water into the jug kettle and close the lid.
Warning: Do not overfill water into the jug kettle. Refer to the water level indicator for MAX and MIN water level indication.
3. Figure 3: Place the jug kettle on the base station. Connect the plug to wall outlet and power on the jug kettle.
4. Figure 4: Press down the on/off button below the handle. The control lamp on the on/off button shows that the water is beginning to boil.
5. Figure 5: After water boils, the on/off button will automatically turn up and switch off. Power off the appliance and disconnect the plug from wall outlet.

CLEANING AND MAINTENANCE

1. Always remove the plug from wall outlet when not in used.
Note: Do not rinse the jug kettle and base station under the tap water or any other liquids. Do not use abrasive cleaning agents, sources, etc. to clean the jug kettle.
2. It is recommended to wash and clean the jug kettle after each use.

NOTICE

This product must not be disposed together with domestic waste. It has to be disposed at an authorized place for recycling of electrical and electronic appliances. By collecting and recycling waste, you help to save natural resources and make sure the product is disposed in an environmental friendly and healthy way.

