

ELBA



EUROMONITOR INTERNATIONAL
*Official International Household Goods Consumer
Awards 2024. Retail Volume Sales 2023 data



YOUR LIFESTYLE EVOLUTION

Professional Home Cooking
Series 2024



FIAMMA SDN. BHD. (47268-M)
Wisma Fiamma, No.20, Jalan 7A/62A,
Bandar Manjalara, 52200 Kuala Lumpur.
Tel: 03-6279 8888 Fax: 03-6279 8846
www.elba.com.my ELBAMalaysia

*Product images are for illustration purposes only.
Actual colours and specifications may vary from images shown in this catalogue.

Euromonitor International Limited, founded in the UK in 1972, is the world's leading independent global market research provider of business intelligence on industries, countries and consumers.



*Source Euromonitor International Limited; Consumer Appliances 2024ed. Retail Volume Sales, 2023 data

Evolution Begins in the Kitchen

We look towards the new frontier of living. As the No. 1 Cooker Hoods Brand in Malaysia, our products combine cutting-edge with classic, and technology with tradition. ELBA brings you the best of both worlds in a kitchen whose intelligent features are matched by truly timeless appeal. This is the kitchen you will want, now and always.

CONTENT

01 MASTRO COLLECTION

- Designer Hood 05
- Built-in Multi Function Oven 09
- Built-in Steam Oven / Built-in Microwave Oven / Built-in Warming Drawer 10

02 GAS COOKER

- Professional Range Cooker 11
- Gas Cooker with Gas Oven / Gas Cooker with Electric Oven 15

03 BUILT-IN OVEN

- Built-in Oven 17
- Built-in Steam Oven 19
- Built-in Microwave Oven 20

04 APHANITE SERIES

- Designer Hood 21

05 DESIGNER HOOD

- Designer Hood 23

06 DUO SERIES

- Induction Hob with Integrated Hood 27

07 BUILT-IN HOB

- Built-in Hob 29
- Built-in Induction Cooker 31
- Built-in Induction Ceramic Cooker 32
- Built-in Ceramic Hob 33
- Built-in Domino Induction Hob 34
- Built-in Stainless Steel Hob 35
- Built-in Glass Hob 36



A Culinary Cosmos

A universe of convenience, all in one space. In our latest series, ELBA is redefining the kitchen - innovating brand new ways to marry form and function. Every feature here is engineered for a culinary voyage that is out of this world.



Designer Hood

NEW



HOB-LINK TECHNOLOGY
Smart detecting hob-link technology allows you to have a wonderful cooking experience. Thanks to the connection between cooker hood and hob, the hood automatically activates when the hob is switched on. The cooker hood will also schedule a delayed switch-off when it detects the hob is no longer in use.

GESTURE MOTION SENSOR (GMS) 2.0 TECHNOLOGY
Get a taste of technologically-advanced, convenient kitchen appliances with ELBA Gesture Motion Sensor Technology. Without physically touching your control panel, you are able to turn your cooker hood on/off with a wave off your hand.

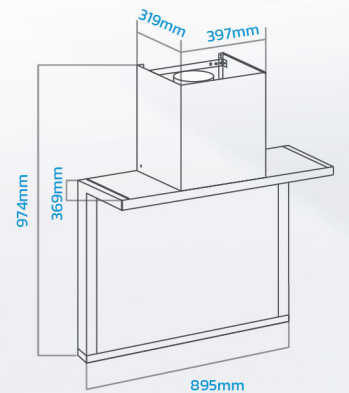
BLDC MOTOR
More powerful and the most energy efficient BLDC Motor allows maximum air flow of up to 2200m³/h suction power, while keeping noise levels as low as 48 dB*
*Results obtained from the ELBA test lab



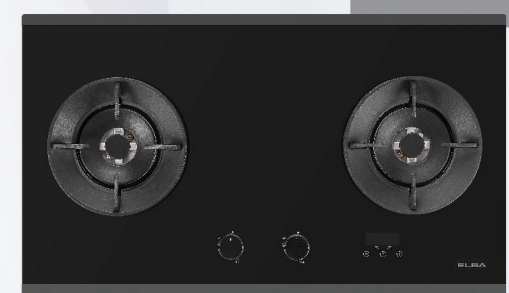
EH-Q9359TFT(GR)

- Suction Power: 2,200m³/hr
- Thin-Film-Transistor Liquid-Crystal Display (TFT LCD)
- 5-speed Sensor Touch Control
- Turbo Boost + Function
- With Charcoal Filter
- Delay Timer
- Built-in Food Recipe

Product Dimension (mm):
895 (W) x 974 (H) x 369 (D)



<p>BLDC Motor</p>	<p>Recirculating</p>	<p>Hob-Link Technology</p>	<p>Matt Graphite</p>
<p>Heat Cleaning</p>	<p>Turbo Boost +</p>	<p>Gesture Motion Sensor 2.0</p>	<p>Ducting 7 Inches</p>

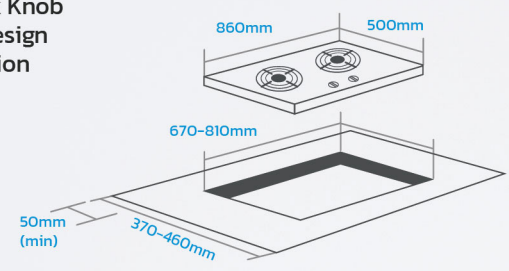


EGH-Q9572D(GR)

- Original Italian SABAF Burners Including:
- 2-Triple Ring Burners (5.0kW)
- Digital Timer
- Safety Valve (Flame Failure Device)
- Cast Iron Pan Support
- Crystal Black Knob
- Flexi Base Design
- Electric Ignition

Product Dimension (mm):
860 (W) x 500 (D)

Built-in Dimension (mm):
670-810 (W) x 370-460 (D)



<p>Hob-Link Technology</p>	<p>Digital Timer</p>	<p>Matt Graphite</p>	<p>FFD Protection</p>	<p>Flexi Base Design</p>
----------------------------	----------------------	----------------------	-----------------------	--------------------------

Digital Timer
Users can set the desired cooking time using the digital controls. Hob automatically turns off when time is up.

Italian SABAF Burners (5.0kW)
Powerful Italian-made burner with intense heat and steady flame, for fast cooking and efficient gas consumption.

Windproof & Heat Constant Trivet
To protect the flame from wind, ensuring that the heat is directed to the cookware and not dispersed by the wind.

Designer Hood

NEW

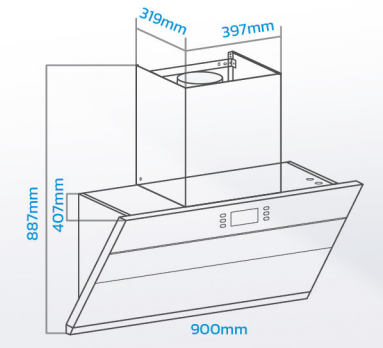


135 Litres

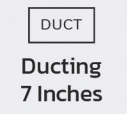
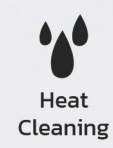


EH-Q9159TFT(GR)

- Suction Power : 2,200 m³/hr
- Thin-Film-Transistor Liquid-Crystal Display (TFT LCD)
- 5-speed Sensor Touch Control
- Turbo Boost+ Function
- With Charcoal Filter
- Delay Timer
- Built-in Food Recipe

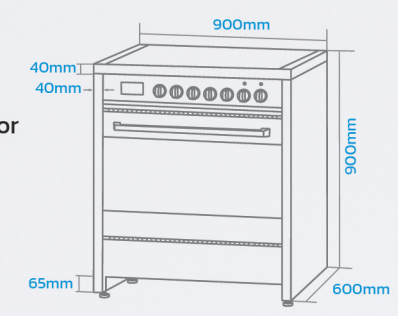


Product Dimension (mm):
900 (W) x 407 (D) x 887 (H)



EPRC-Q9889TFT(GR)

- Oven Capacity: 135 Litres
- 17 Functions Oven
- Thin-Film-Transistor Liquid-Crystal Display (TFT LCD)
- Original Italian SABAF Burner with Safety Valve Including:
 - 3 Triple Ring Burners (3.7kW)
 - 2 Semi-rapid Ring Burners (1.75kW)
- With Air Fry Features
- Cavity Cooling System
- Double Circulation Fans
- Double Glazed Glass Door
- Easy Clean Removable Inner Glass Door
- Slide out Drawer
- Built-in Food Recipe



Product Dimension (mm):
900(W) x 600(D) x 900(H)



TFT LCD Panel



Elegant design with slide control and smart timer for sensor touch control with Thin-Film-Transistor Liquid-Crystal (TFT LCD) Display.

Italian SABAF Burners (3.7kW)



Powerful Italian made burner with intense heat and steady flame to perform fast cooking and efficient gas consumption.

Dynamic Blue Enamel Oven Interior



ELBA's dynamic blue enamel interior helps retain more heat compared to darker coloured interiors.

Conventional (Top + Bottom Elements)	Grill + Fan	Double Grill	Top Grilling	Bake	Multi Cooking	Pizza	AirFry	Fast
Delicate Cooking	ECO	Defrost	Warm Dish	Drying	Keep Warm	Disinfection	Fermentation	

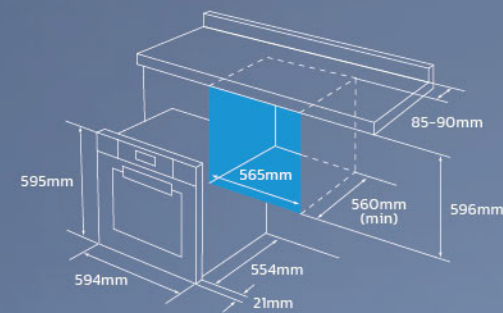
Built-in Multi Function Oven

Built-in Steam Oven



EBO-Q9029TFT(GR)

- Oven Capacity: 85 Litres
- 27-function Oven
- TFT Colourful LCD Sensor Touch Control
- Triple Glazed Removable Glass Door
- With Air Fry Features
- With Steam Function
- With Rotisserie
- Steam Assist Cleaning Technology
- Dynamic Blue Enamel Oven Interior
- Telescopic Pull Out



Product Dimension (mm):
594 (W) x 595 (H) x 554 (D)

Built-in Dimension (mm):
565 (W) x 596 (H) x 560 (D)

Top Element Only	Double Grill	Bake	Grill + Fan	Pizza Function	Conventional (Top + Bottom Elements) + Fan	Delicate Cooking	Top Grilling	Multi Cooking	AirFry
ECO	Convection Mode + Steam	Baking Mode + Steam	Maxi Grill Mode + Steam	Grill + Fan + Steam	Steaming	Steam Assisted Heating	Steam + Vacuum Baking with Low Temperature	Defrost	Yogurt
Fermentation	Warm Dish	Disinfection	Keep Warm	Dry	Steam Assisted Cleaning Function	Descaling			

TFT LCD Display



Colourful LCD sensor touch screen with multi function.

Dynamic Blue Enamel Oven Interior



Dynamic blue enamel technology to help rapid heating.

Telescopic Pull Out

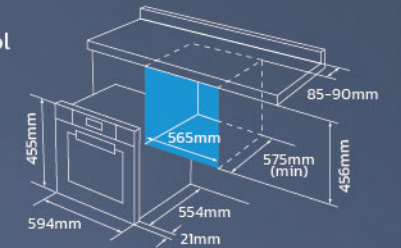


Smoothly glides the rack out, ensuring the dish are effortlessly within reach.



ESGO-Q6059TFT(GR)

- Oven Capacity: 55 Litres
- 26-function Oven
- TFT Colourful LCD Sensor Touch Control
- Triple Glazed Removable Glass Door
- Steam Assist Cleaning Technology
- Dynamic Blue Enamel Oven Interior
- Cavity Cooling System
- Cool Touch Glass under 50°C
- 1 Steam Tray, 1 Drip Tray, 1 Grilling Rack
- Built-in Steamer Recipe



Product Dimension (mm):
594 (W) x 455 (H) x 554 (D)

Built-in Dimension (mm):
565 (W) x 456 (H) x 575 (D)

Conventional (Top + Bottom Elements) + Fan	Top Grilling	Grill + Fan	Pizza Function	Bake
Express Cook	Delicate Cooking	Top Element only	Multi Cooking	Defrost

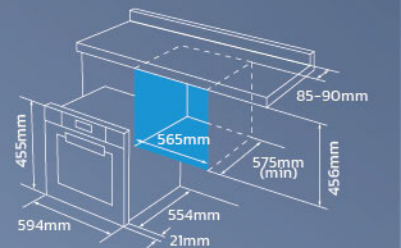
*Refer to EBO-Q9029TFT(GR) function except Airfry

Built-in Microwave Oven



EMO-Q6089TFT(GR)

- Oven Capacity: 55 Litres
- 8-function Oven
- TFT Colourful LCD Sensor Touch Control
- Triple Glazed Removable Glass Door
- Cavity Cooling System
- Cool Touch Glass under 50°C
- 1 Roller Ring, 1 Glass Tray, 1 Grilling Rack, 1 Baking Tray
- Built-in Microwave Recipe



Product Dimension (mm):
594 (W) x 455 (H) x 554 (D)

Built-in Dimension (mm):
565 (W) x 456 (H) x 575 (D)

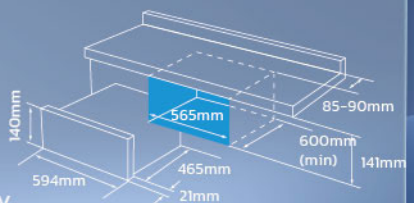
Microwave	Top Grilling	Convection	Microwave + Top Grilling
Microwave + Convection	Top Grilling + Convection	Microwave + Top Grilling + Convection	Defrost

Built-in Warming Drawer



EWMD-Q6069TS(GR)

- Temperature: 30°C - 80°C
- 6-place Settings
- Cool Touch Glass Front Panel
- Telescopic Pull Out Drawer
- Push Button Door
- Hot Air Fan System for Heating Crockery



Product Dimension (mm):
594 (W) x 140 (H) x 465 (D)

Built-in Dimension (mm):
565-568 (W) x 141 (H) x min 600 (D)



Simply Practical and Multi-purpose Use
The multifunction ELBA Warming Drawer keep cups and plates warm before serving. It can even be used to preheat food, and cook at low temperatures.

Professional Range Cooker

SABAF

115 Litres



Stratospheric Style Meets Substance

You could search across all the galaxies, but nothing comes close to the ELBA Professional Cooking Range. An all-in-one cooking revolution, this sleek silver genius comes equipped with advanced fittings, large oven space and top-tier technology. With this as your control panel, you'll go where no home cook has gone before.

Elegant Large Knob Design with Automatic Ignition



With just a push and turn, the gas ignites quickly and automatically without the need of a lighter.

Italian SABAF Burners (3.7kW)



Powerful flame for fast cooking and efficient gas consumption.

Sensor Touch with LED Display

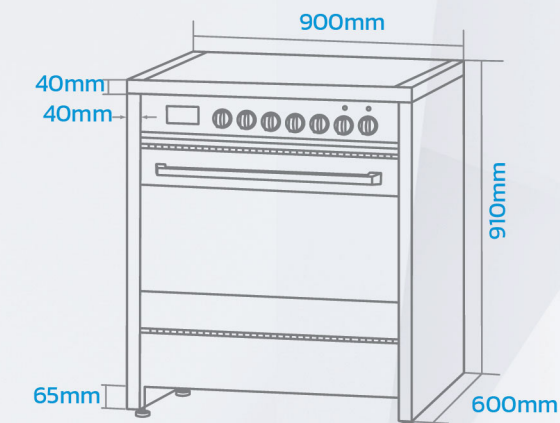


Digital display panel to display countdown, turns off automatically after countdown ends.

EPRC-H9880ST(SS)

- Oven Capacity: 115 Litres
- 8-function Oven
- Sensor Touch Control with LED Display
- Original Italian SABAF Burner with Safety Valve including:
 - 3 Triple Ring Burners (3.7kW)
 - 2 Semi-rapid Burners (1.75kW)
- Cavity Cooling System
- Double Circulation Fans
- Double Glazed Glass Door
- Easy Clean Removable Inner Glass Door
- Slide-out Drawer

Product Dimension (mm):
900 (W) x 910 (H) x 600 (D)





Italian SABAF Burners (4.0kW)



Powerful flame for fast cooking and efficient gas consumption.

Digital Timer with Automatic Cut Off



Digital display panel to display countdown. Turns off automatically after countdown ends.

XXL Extra Large Oven Capacity

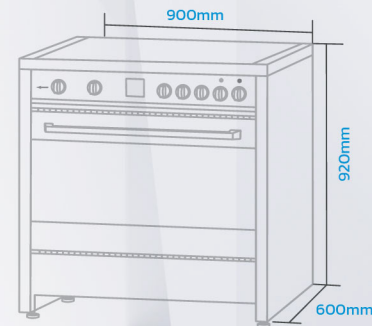


Cooks more in less time.

EPRC-N9560D(SS)

- Oven Capacity: 110 Litres
- 8-function Electric Oven
- Original Italian SABAF Burners with Safety Valve Including:
 - 1 Triple Ring Burner (4.0kW)
 - 1 Rapid Burner (2.9kW)
 - 2 Semi-rapid Ring Burners (1.65kW)
 - 1 Auxiliary Burner (0.9kW)
- Stainless Steel Hob with Cast Iron Pan Support
- Electronic Controls & Digital Clock with Automatic Cut-off Timer
- Cavity Cooling System
- Double Oven Lamps
- Double Circulation Fans
- Double Glazed Glass Door
- Easy Clean Removable Inner Glass Door
- Flap Drawer
- Large Viewing Window with Aluminium Handle
- Electric Ignition
- 2 Grilling Racks, 1 Baking Tray

Product Dimension (mm):
900 (W) x 920 (H) x 600 (D)



Top View



Italian SABAF Burners (3.7kW)



Powerful flame for fast cooking and efficient gas consumption.

Digital Timer with Automatic Cut Off



Digital display panel to display countdown. Turns off automatically after countdown ends.

Large Viewing Window

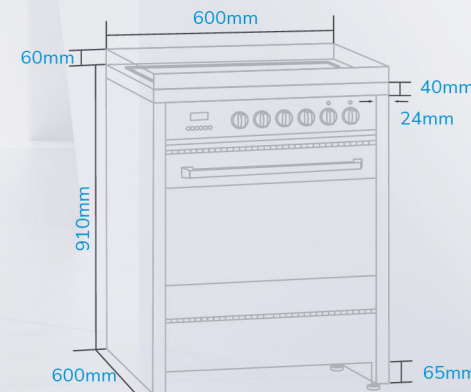


Easy visibility that allows you to observe the full view of your food while it cooks.

EPRC-A6456GE(SS)

- Oven Capacity: 56 Litres
- 8-function Oven
- Original Italian SABAF Burners with Safety Valve including:
 - 1 Triple Ring Burner (3.7kW)
 - 2 Semi-rapid Burners (1.75kW)
 - 1 Auxiliary Burner (1.0kW)
- Cavity Cooling System
- Tempered Glass Top Cover
- Interior Oven Lamp
- Double Glazed Glass Door
- Easy Clean Removable Inner Glass Door
- Slide-out Drawer
- Electronic Controls & Digital Clock with Automatic Cut-off Timer
- Stainless Steel Hob with Cast Iron Pan Support
- Large Viewing Window with Aluminium Handle
- 2 Grilling Racks, 1 Baking Tray

Product Dimension (mm):
600 (W) x 910 (H) x 600 (D)



Gas Cooker with Gas Oven



EGC-C9703G(BK)

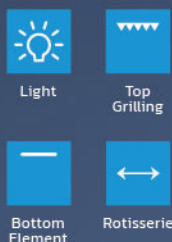
- Original Italian SABAF Burners including:
 - 2 Triple Ring Burners (3.8kW)
 - 1 Semi-rapid Burner (1.75kW)

Product Dimension (mm):
900 (W) x 850 (H) x 600 (D)

EGC-C9704G(BK)

- Original Italian SABAF Burners including:
 - 1 Triple Ring Burner (3.8kW)
 - 1 Rapid Burner (3.0kW)
 - 1 Semi-rapid Burner (1.75kW)
 - 1 Auxiliary Burner (1.0kW)
- Oven Capacity: 70 Litres
- Full Gas Oven with Rotisserie
- Gas Cylinder Compartment
- Colour: Black

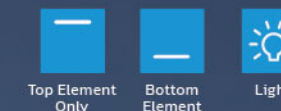
Product Dimension (mm):
900 (W) x 850 (H) x 600 (D)



EGC-N6704G(BK)

- Original Italian SABAF Burners Including:
 - 1 Triple Ring Burner (3.8kW)
 - 2 Semi-rapid Burners (1.75kW)
 - 1 Auxiliary Burner (1.0kW)
- Oven Capacity: 70 Litres
- Full Gas Oven
- Mechanical Timer on Oven
- SABAF Safety Valve for Gas Oven
- Color: Black

Product Dimension (mm):
600 (W) x 890 (H) x 600 (D)



Gas Cooker with Electric Oven



EGC-C9783E(SS)

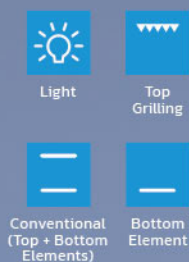
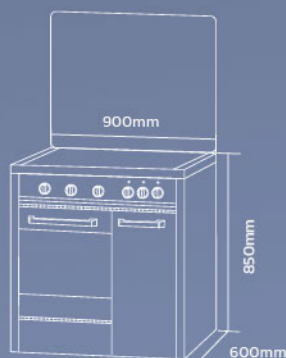
- Original Italian SABAF Burners including:
 - 2 Triple Ring Burners (3.8kW)
 - 1 Semi-rapid Burner (1.75kW)

Product Dimension (mm):
900 (W) x 850 (H) x 600 (D)

EGC-C9784E(SS)

- Original Italian SABAF Burners including:
 - 1 Triple Ring Burner (3.8kW)
 - 1 Rapid Burner (3.0kW)
 - 1 Semi-rapid Burner (1.75kW)
 - 1 Auxiliary Burner (1.0kW)
- Oven Capacity: 70 Litres
- Full Electric Oven with Grill
- Gas Cylinder Compartment
- Colour: Stainless Steel

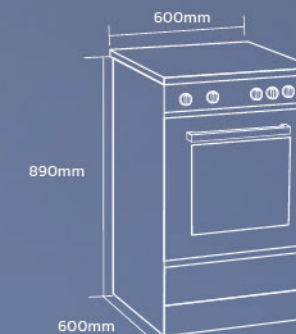
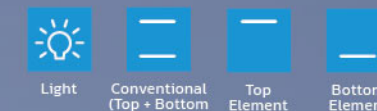
Product Dimension (mm):
900 (W) x 850 (H) x 600 (D)



EGC-N6784E(SS)

- Original Italian SABAF Burners Including:
 - 1 Triple Ring Burner (3.8kW)
 - 2 Semi-rapid Burners (1.75kW)
 - 1 Auxiliary Burner (1.0kW)
- Oven Capacity: 70 Litres
- Full Electric Oven with Grill
- Mechanical Timer on Oven
- Color: Stainless Steel

Product Dimension (mm):
600 (W) x 890 (H) x 600 (D)

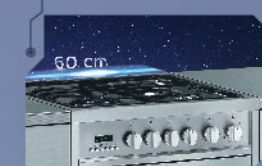


Italian SABAF Burners (3.8kW)



Powerful flame for fast cooking and efficient gas consumption.

60cm Body Width



A compact size to fit in with your kitchen.

Large Oven Capacity



Cooks more in less time.

COMMON POINTS

- Enamel Pan Support
- With Tempered Glass Top Cover
- Interior Oven Lamp
- Automatic Electric Ignition
- Large Viewing Window with Aluminium Handle
- Double Glazed Glass Door
- 1 Grilling Rack, 1 Baking Tray

COMMON POINTS

- Enamel Pan Support
- With Tempered Glass Top Cover
- Interior Oven Lamp
- Automatic Electric Ignition
- Large Viewing Window with Aluminium Handle
- Double Glazed Glass Door
- 1 Grilling Rack, 1 Baking Tray

Built-in Oven

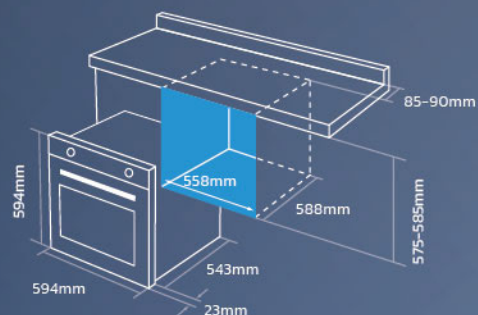


EBO-E7081D(SS)

- Oven Capacity: 70 Litres
- 8-function Oven
- Digital Clock with Automatic Cut-off Timer
- Triple Glazed Removable Glass Door
- Removable Side Rack Support
- 2 Grilling Racks, 2 Pans

Product Dimension (mm):
594 (W) x 594 (H) x 543 (D)

Built-in Dimension (mm):
558 (W) x 575-585 (H) x 588 (D)



- | | | | |
|--------------|--------------------------------------|----------------------|------------------|
| | | | |
| Light | Conventional (Top + Bottom Elements) | Bottom Element + Fan | Top Element Only |
| | | | |
| Top Grilling | Grill + Fan | Fan Only | Defrost |

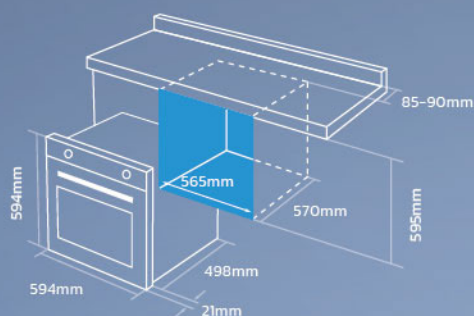


DIVO EBO-M7388(BK)

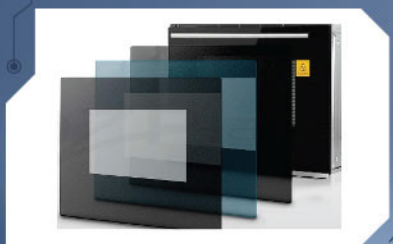
- Oven Capacity: 73 Litres
- 8-function Oven
- Mechanical Control
- Double Glazed Glass Door
- 1 Pan, 2 Grilling Racks

Product Dimension (mm):
594 (W) x 594 (H) x 498 (D)

Built-in Dimension (mm):
565 (W) x 595 (H) x 570 (D)



Triple Glazed Removable Glass Door



Triple glazed glass uses heat reflective glass which helps insulate your oven and make it much more energy efficient and cool touch under 50°C on glass surface. It can easily remove the oven glass for complete cleaning. (Except Model: DIVO EBO-M7388(BK) & DIVO EBO-Q6788(BK))

Large Oven Capacity



Cooks more in less time.

- | | | | |
|-------------------|--------------------------------------|----------------------|----------------------|
| | | | |
| Light | Conventional (Top + Bottom Elements) | Bottom Element + Fan | Top Grilling |
| | | | |
| Top Full Grilling | Grill + Fan | Defrost | Bottom Element + Fan |

NEW

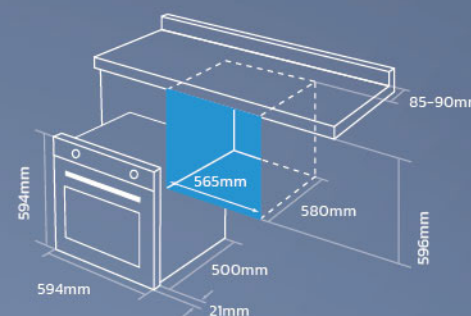


DIVO EBO-Q6788(BK)

- Oven Capacity: 75 Litres
- 8-function Oven
- Mechanical Control
- Double Glazed Glass Door
- 4D Heat Circulation Technology
- Steam Assist Cleaning Technology
- 1 Pan, 1 Grilling Racks

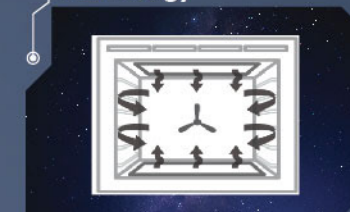
Product Dimension (mm):
594 (W) x 594 (H) x 500 (D)

Built-in Dimension (mm):
565 (W) x 596 (H) x 580 (D)



- | | | | |
|-----------------------|--------------------------------------|--|--------------|
| | | | |
| Light | Conventional (Top + Bottom Elements) | Conventional (Top + Bottom Elements) + Fan | Top Grilling |
| | | | |
| Steam Assist Cleaning | Top Element + Fan | Bottom Element + Fan | Defrost |

4D Heat Circulation Technology



Evenly heat distributes design from four directions by providing consistent temperature throughout the oven space.

Steam Assist Cleaning



Pour water into the cavity and set temperature to 130°C to conduct the steam assist cleaning to remove light soiling.

NEW

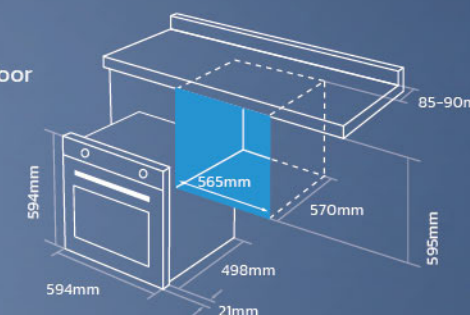


DIVO EBO-N6770(BK)

- Oven Capacity: 67 Litres
- 8-function Oven
- Mechanical Control
- Triple Glazed Removable Glass Door
- 1 Pan, 1 Grilling Racks

Product Dimension (mm):
594 (W) x 594 (H) x 498 (D)

Built-in Dimension (mm):
565 (W) x 595 (H) x 570 (D)



COMMON POINTS

- Max Temperature 250°C
- Interior Oven Lamp
- Concealed Bottom Heating Element
- Enamelled Oven Interior
- Cool Touch Glass Under 50°C
- Cavity Cooling System
- With Rotisserie

Built-in Steam Oven

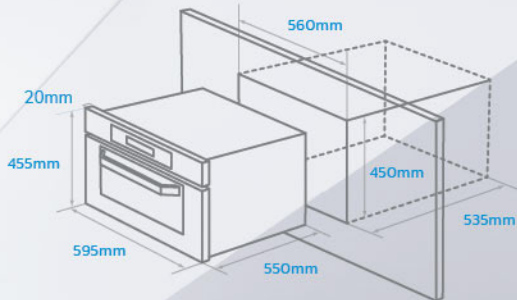


ESGO-N6088D(BK)

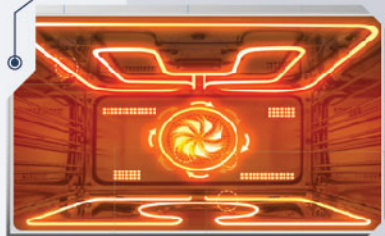
- Power : 3,000W
- Capacity: 60L
- Removable Water Tank: 1.0L
- Combines Steam, Convection and Grill in One
- 16-function Oven
- Sensor Touch Control with LED Display
- Temperature Range: 50°C - 250°C
- Combo Function by Combination of 2 Cooking Programs in Succession
- SUS304 Stainless Steel Cavity with Side Rack
- NTC Temperature Control
- 2 Steam Generating Chambers and 2-level Steam Selection
- 50 Preset Menu for Variety Cooking Programs
- Triple Layer Glass Door, Providing High Heat-resistant and Heat-insulation
- Pre-set up to 24 Hours
- Water Shortage Indicator
- External Water Tank for Easy Refilling Water
- 1 Grilling Tray, 1 Steam Rack, 1 Grilling Rack, 1 Baking Glove

Product Dimension (mm):
595 (W) x 455 (H) x 550 (D)

Built-in Dimension (mm):
560 (W) x 450 (H) x 535 (D)



Multi-Functional Steam Grill Oven



All-in-one multi-functional oven with the combination of steam, grill and convection function with consistent heat for easy cooking.

Large Oven Capacity



Cooks more in less time.

2 Steam Generating Chambers



To make the steam more even and heat up rapidly.

Sensor Touch Control with Electronic Digital Display



Easy accessibility and more precise control of all the oven's functions at the touch of a finger.

- | | | | |
|--------------------------------------|--|--------------------------|---------------|
| | | | |
| Conventional (Top + Bottom Elements) | Conventional (Top + Bottom Elements) + Fan | Bottom Element + Hot Air | Top Grilling |
| | | | |
| Top Full Grilling | Grill + Fan | Hot Air | Steam |
| | | | |
| Superheat Steam | Baking Bread | Keep Warm | Defrost |
| | | | |
| Fermentation | Descaling | Child Lock | Sterilization |

Built-in Microwave Oven

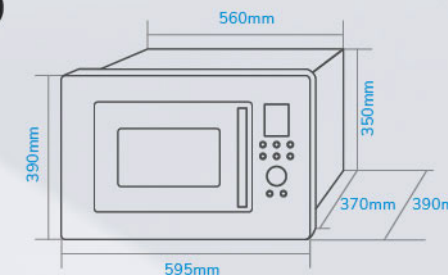


EMO-B2361BI(SS)

- Oven Capacity: 23 Litres
- Rated Power: 1,400W (Microwave), 1,000W (Grill)

Product Dimension (mm):
595 (W) x 390 (H) x 390 (D)

Built-in Dimension (mm):
560 (W) x 350 (H) x 370 (D)



Integrated Frame
Integrated Stainless Steel Frame adds to seamless kitchen interior

NEW

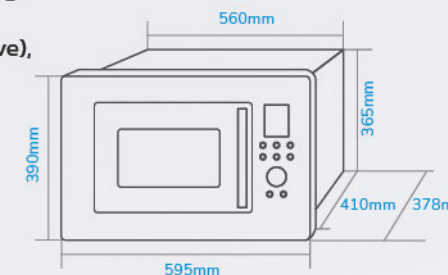


EMO-Q2881BI(BK)

- Oven Capacity: 28 Litres
- Rated Power: 1,400W (Microwave), 1,000W (Grill)

Product Dimension (mm):
595 (W) x 390 (H) x 378 (D)

Built-in Dimension (mm):
560 (W) x 365 (H) x 410 (D)



DID YOU KNOW?

Do much more than reheat your leftovers! Microwaves are equipped with a wide range of settings for multifunctional cooking. Did you know you can make all these in the microwave?



COMMON POINTS

- Microwave Frequency: 2,450MHz
- 6 Power Levels: 100%, 80%, 60%, 40%, 20%, 0%
- With Jet Defrost Function and Weight Defrost Settings
- 8 Manual Cooking Options
- 4 Timer Preset Levels: 15s, 30s, 1min, 2mins
- Max Timer: 99min 99sec
- Cooking Uniformity: Turntable System
- Cooking End Signal
- Key Lock Function

Designer Hood

NEW



NO. 1
COOKER HOODS
BRAND IN MALAYSIA*

EUROMONITOR INTERNATIONAL

HOB-LINK TECHNOLOGY
Smart detect - Hob Link Technology allow you to have a wonderful cooking experience. There is linkage between cooker hood and hob. The cooker hood will automatically activated when hob is switch ON. Cooker hood will schedule delay turn off when hob is detected not longer used.

GESTURE MOTION SENSOR (GMS) 2.0 TECHNOLOGY
Get a taste of technologically-advanced, convenient kitchen appliances with ELBA Gesture Motion Sensor Technology. Without physically touching your control panel, you are able to turn on/off your cooker hood with a wave of your hand.

BLDC MOTOR
More powerful, best energy efficiency - BLDC Motor allow up to max air flow of 2,200 m³/h suction power, while keeping noise level as low as 48 dB*
*The results obtained from the ELBA test lab.

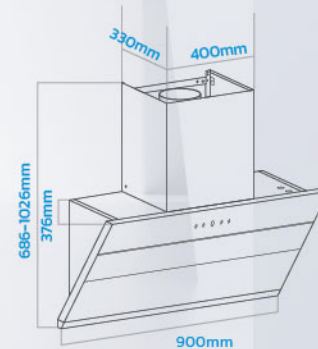


EH-Q9695DC(GR)

- Suction Power : 2,200 m³/hr
- 3-Speed Sensor Touch Control
- Turbo Boost + Function
- With Hydraulic Hinge Opening
- With Charcoal Filter
- Delay Timer

Product Dimension (mm):
900 (W) x 376 (D) x 686-1026 (H)

 BLDC Motor	 Recirculating	 Hob-Link Technology	 Aphanite Aphanite Finishing
 Heat Cleaning	 Turbo Boost +	 Gesture Motion Sensor 2.0	 Ducting 7 Inches



Digital Timer



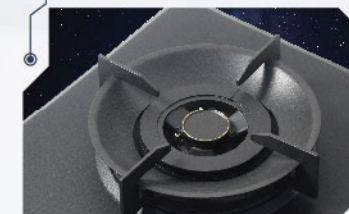
Users can set the desire cooking time using the digital controls. Hob automatically turn off when the timer reached.

Triple Ring Burners (5.5kW)



Powerful 5.5kW burner with intense heat and steady flame to perform fast cooking and efficient gas consumption.

Windproof & Heat Constant Trivet



To protect the flame from wind, ensuring that the heat is directed to the cookware and not dispersed by the wind.



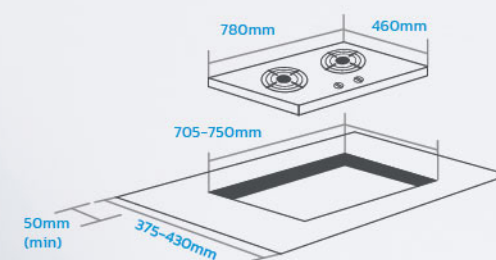
EGH-Q8622D(GR)

- 2 Triple Ring Burners (5.5kW)
- Digital Timer
- Safety Valve (Flame Failure Device)
- Cast Iron Pan Support
- Titanium Grey Knob
- Flexi Base Design
- Automatic Battery Ignition

Product Dimension (mm):
780(W) x 460(D)

Built-in Dimension (mm):
705-750(W) x 375-430(D)

 Hob-Link Technology	 Digital Timer	 Aphanite Aphanite Finishing	 FFD Protection	 Flexi Base Design
--	--	--	---	--



Designer Hood



VENTA EH-Q9693DC(BK)

- Suction Power: 2,200m³/hr
- 3-speed Sensor Touch Control
- Air Diverter
- Turbo Boost + Function
- With Charcoal Filter
- Delay Timer
- Large LED Light

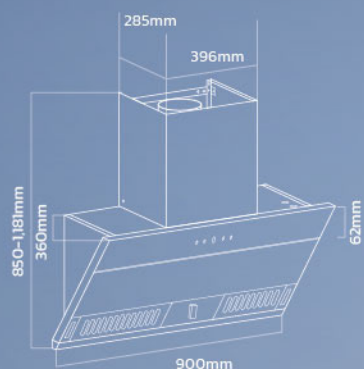
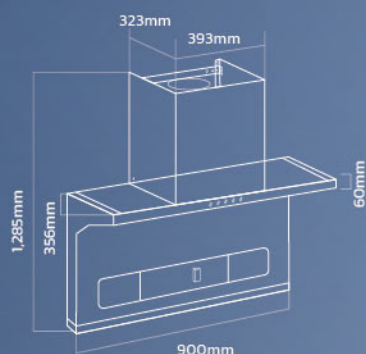
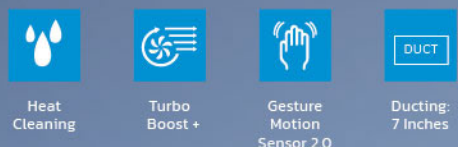
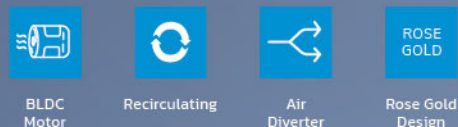
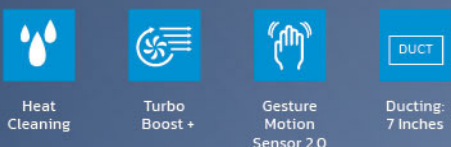
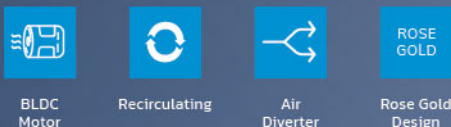
Product Dimension (mm):
900 (W) x 955-1,285 (H) x 356 (D)



VENTA EH-Q9690DC(BK)

- Suction Power: 2,200m³/hr
- 3-speed Sensor Touch Control
- Air Diverter
- Turbo Boost + Function
- With Charcoal Filter
- Delay Timer

Product Dimension (mm):
900 (W) x 850-1,181 (H) x 360 (D)



Without Activate Air Diverter



When both gas burner is occupied, just slide air diverter to middle to have left & right extraction.

Activate Air Diverter



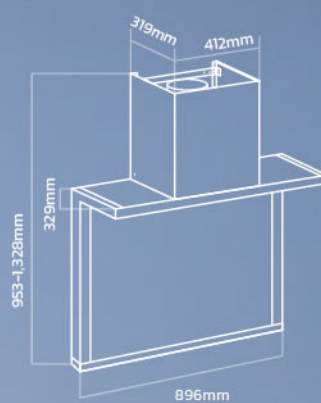
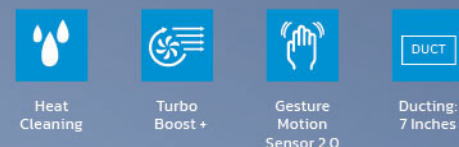
With a slide of the air diverter, cooker hood can focus extraction power to the cooking smoke area. This air diverter function can boost up to additional 50% suction power.



VICINO EH-Q9390DC(BK)

- Suction Power: 2,200m³/hr
- 9-speed Sensor Touch Control
- Turbo Boost + Function
- With Hydraulic Hinge Opening
- With Charcoal Filter
- Delay Timer
- Large LED Light

Product Dimension (mm):
896 (W) x 953-1328 (H) x 329 (D)



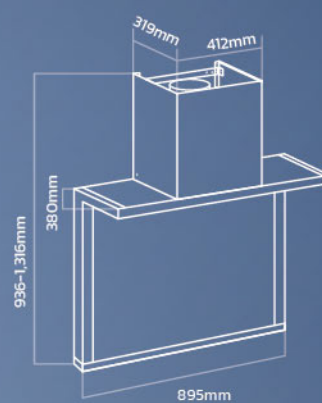
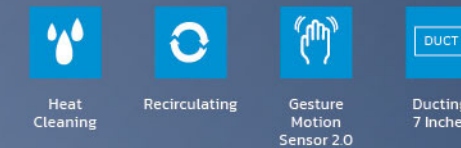
Close Extraction- 280mm



MONZA EH-Q9327ST(BK)

- Suction Power: 2,000m³/hr
- 3-speed Sensor Touch Control
- Multi Way Flow Suction
- With Charcoal Filter
- Delay Timer

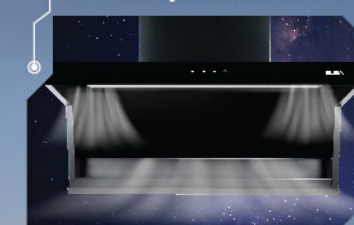
Product Dimension (mm):
895 (W) x 936-1316 (H) x 380 (D)



Hydraulic Hinge Opening



Multi Way Flow Suction



Designer Hood

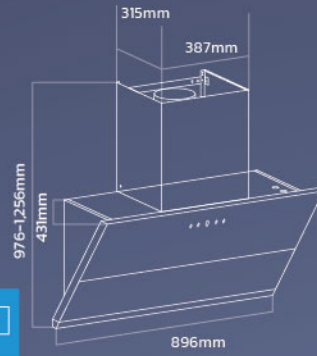


ETERNO EH-N9125ST(BK)

- Suction Power: 1,600m³/hr
- 3-speed Sensor Touch Control (Turbo Boost + Function)
- With Hydraulic Hinge Opening
- With Charcoal Filter
- Delay Timer

Product Dimension (mm):
896 (W) x 976-1256 (H) x 431 (D)

- Recirculating
- Turbo Boost +
- Gesture Motion Sensor 2.0
- Ducting 7 Inches



40° Hydraulic Powermatic Hinge Opening
Offers optimal fume absorption, proven by ELBA test lab research, preventing escape better than an ordinary slanting hood.

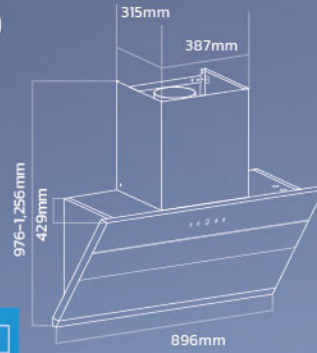


ETERNO EH-N9128ST(BK)

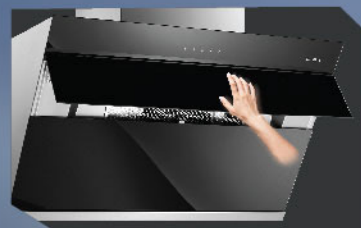
- Suction Power: 1,600m³/hr
- 3-speed Sensor Touch Control (Turbo Boost + Function)
- With Hydraulic Hinge Opening
- With Charcoal Filter
- Delay Timer

Product Dimension (mm):
896 (W) x 976-1256 (H) x 429 (D)

- Recirculating
- Turbo Boost +
- Gesture Motion Sensor 2.0
- Ducting 7 Inches



60° Hydraulic Powermatic Hinge Opening
Ensures rapid fume absorption, preventing kitchen escape better than an ordinary slanting hood.



GESTURE MOTION SENSOR (GMS) 2.0 TECHNOLOGY
Able to control your cooker hood with a wave motion.



TurboMAX Motor with 1,600 m³/hr
Efficiently refreshes your kitchen with a powerful airflow

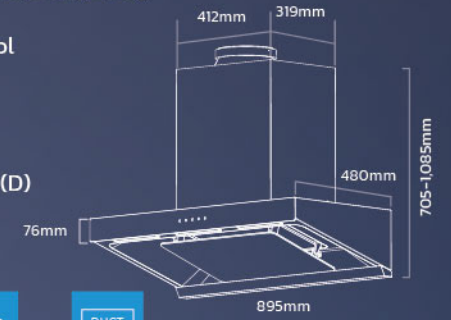


SENSO EH-N9638ST(SS)

- Suction Power: 1,600m³/hr
- 3-speed Sensor Touch Control
- With Charcoal Filter
- Delay Timer

Product Dimension (mm):
895 (W) x 705-1,085 (H) x 480 (D)

- Recirculating
- Gesture Motion Sensor 2.0
- Easy Cleaning Design
- Ducting 7 Inches

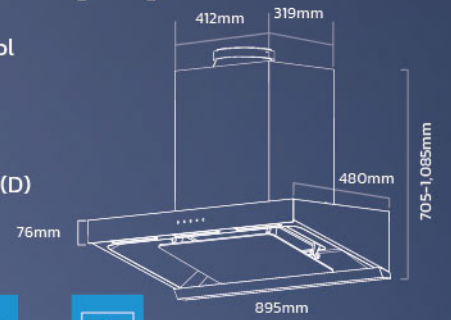


SENSO EH-N9639ST(BK)

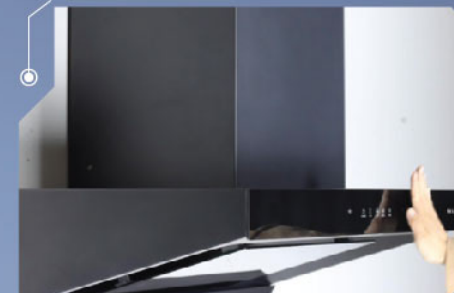
- Suction Power: 1,600m³/hr
- 3-speed Sensor Touch Control
- With Charcoal Filter
- Delay Timer

Product Dimension (mm):
895 (W) x 705-1,085 (H) x 480 (D)

- Recirculating
- Gesture Motion Sensor 2.0
- Easy Cleaning Design
- Ducting 7 Inches



GESTURE MOTION SENSOR [GMS] 2.0 Technology



Able to control your cooker hood with a wave motion.



Wave Right to Power ON



Wave Right to Increase Speed



Wave Left to Reduce Speed/ Turn Off

TurboMAX Motor with 1,600 m³/hr



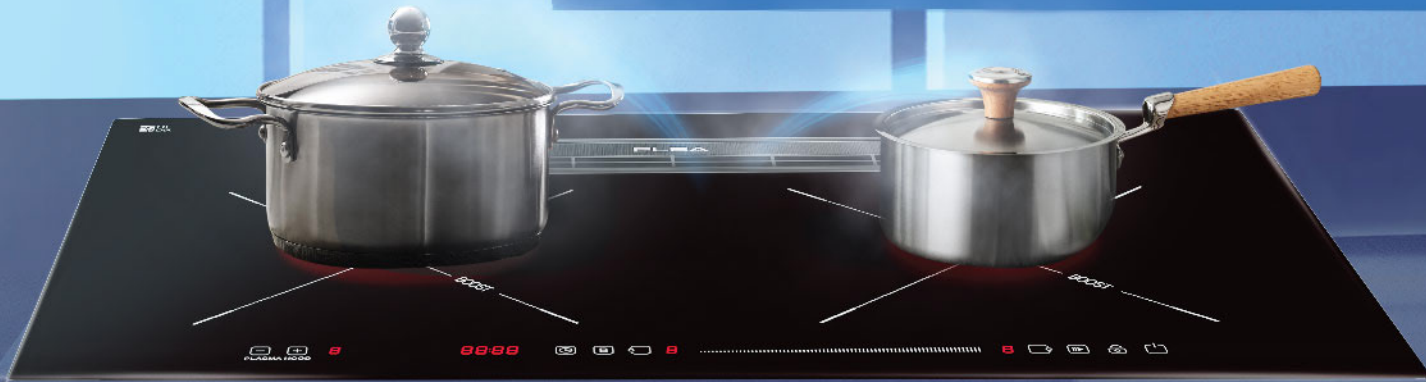
Efficiently refreshes your kitchen with a powerful airflow

One Touch Easy Cleaning Design



Induction Hob with Integrated Hood

NEW



Plasma Filter

How Plasma+ Pro Technology Works

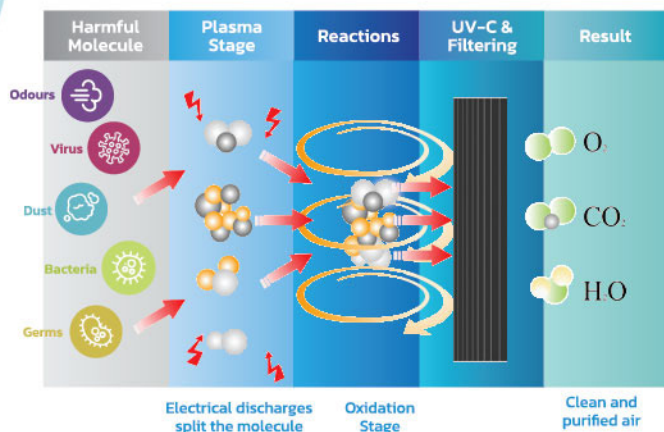
The plasma purification process is electrode harmful molecule such as odours, virus, dust and bacteria and split on those molecules. This also acts as a catalyst and ends the oxidation process. At the end outlet of the UV-C & ultra filter carbon, the purified air will back into kitchen as clean and purified air.

Eliminate up to 99% Odours

Plasma+ Pro Technology can eliminate up to 99% of odours, fumes, pollutants, and 98%* harmful bacteria and other allergenic substances (PM2.5).

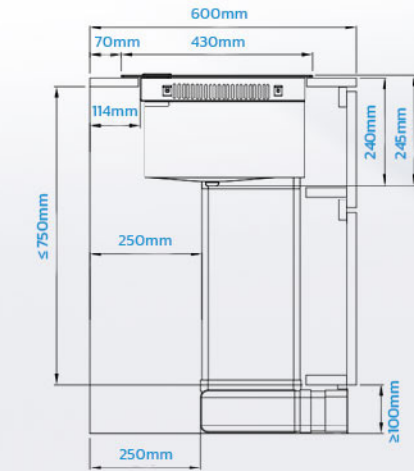
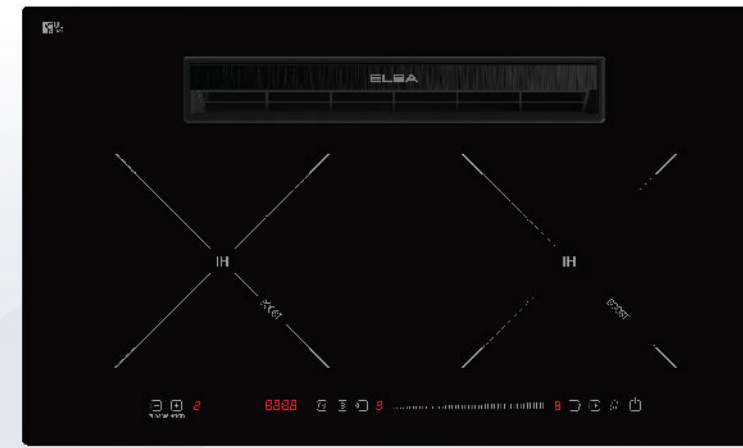
Maintenance Free System

It different with the traditional way of charcoal filtering system, Plasma+ Pro is maintenance free as no filters change is require.



Plasma+ Pro Technology

The Plasma+ Pro Technology is a revolutionary innovation in household kitchen appliances, which is a leading technology in the industry. It is way more different than traditional charcoal filtering system, Plasma+ Pro technology have better purification effect on PM2.5 to eliminate odours and harmful bacteria while cooking.

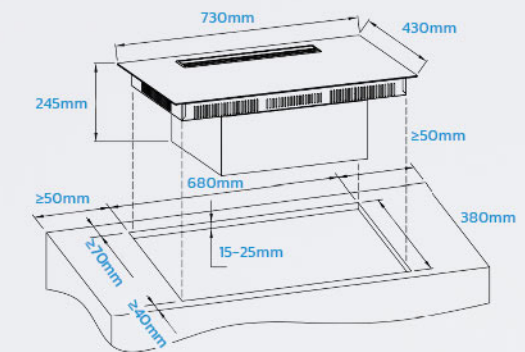


EIH-Q7728PS(BK)

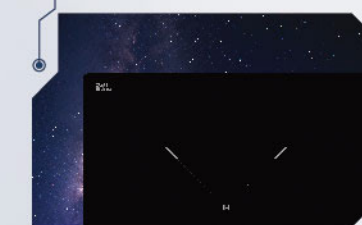
- Suction Power : 800 m³/hr
- Plasma + Pro System
- BLDC Motor
- 5-Fan Speed Sensor Touch Control
- Turbo Boost Function
- Dual Cooking Zones
- Power Output: 2,000W + 2,000W
- 9 Power Level
- Vulkera Glass
- Front Control with LED Sliding Touch
- 1-99 Minutes Cooking Timer
- With Booster Function
- Smart Detect (Auto Pan Sensor Technology)
- Safety Child Lock
- Residual Heat Indicator
- Overheating Protector
- Automatic Safety Switch Off After 120 Minutes
- Automatic Timer Control (Hob)
- Time Delay Function (Hood)

Product Dimension (mm):
730 (W) x 430 (D) x 245 (H)

Built-in Dimension (mm):
680 (W) x 380 (D) X ≤ 750 (H)



Vulkera Glass



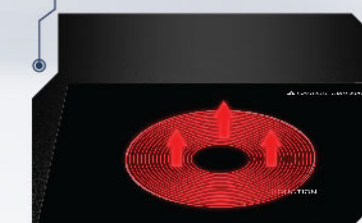
Vulkera glass-ceramic cooktop is more durable, heat permeable and transfers the heating energy directly to the cookware

Smart Detect Auto Sensor Technology

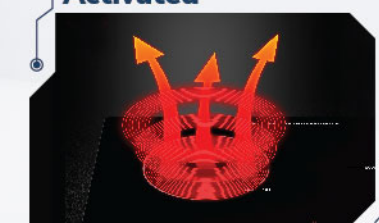


It will detect the base of cooking utensils, allowing food to cook evenly. It can also automatically detect once the utensil is removed and will switch off.

Normal Heating



Booster Function Activated



Maximise power by activating the dual zones to perform strong cooking output in reduced cooking time.

Built-in Hob

Flexi Slide

SCHOTT CERAN®



Your Trusted Companion

Every cook needs convenience, but an ELBA home cook also enjoys state-of-the-art solutions. The Built-In Hob thinks of everything, thanks to its smart sensors and intuitive design. With its highly customisable functions, you have everything at your fingertips for a meal to send your tastebuds to the moon and back.

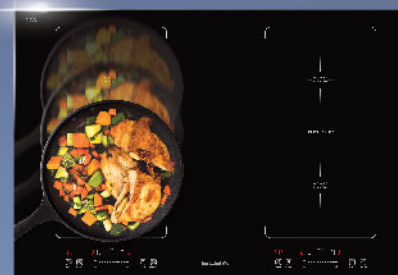
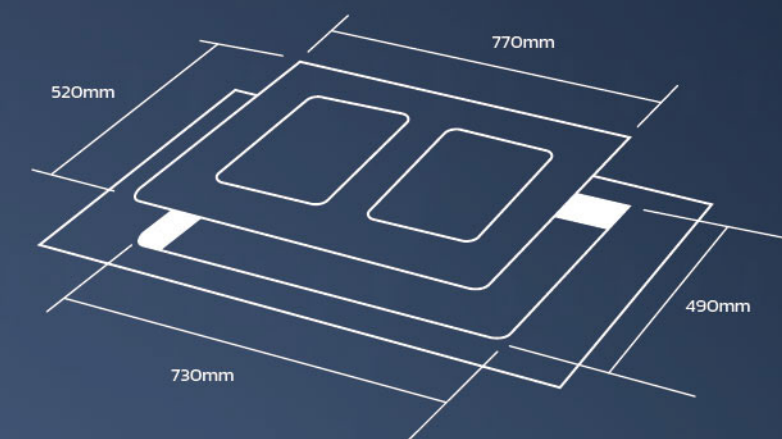
Built-in Flexi Induction Cooker

EIC-K7094FZ(BK)

- 4 Cooking Zones:
 - Four Zones with 220mm x 200mm Dimension (2,100W)
 - Flexi Slide Zone with 400mm x 200mm Dimension (3,600W)
- 9-power Level Control
- Schott Ceran Glass
- Flexi Slide Function
- Front Control with Sliding Touch
- With Booster Function
- Automatic Safety Switch Off after 120 Minutes
- 1 - 99 Minutes Cooking Timer
- Safety Child Lock
- Residual Heat Indicator
- Overheating Protector

Product Dimension (mm):
770 (W) x 520 (D)

Built-in Dimension (mm):
730 (W) x 490 (D)



Flexi Slide

Slide your pan freely, to any position of your liking with the activation of Flexi Slide function. The auto sensing feature will recognize how large your cookware is and the selected zone will be automatically activated for convenience.



Combi Mode

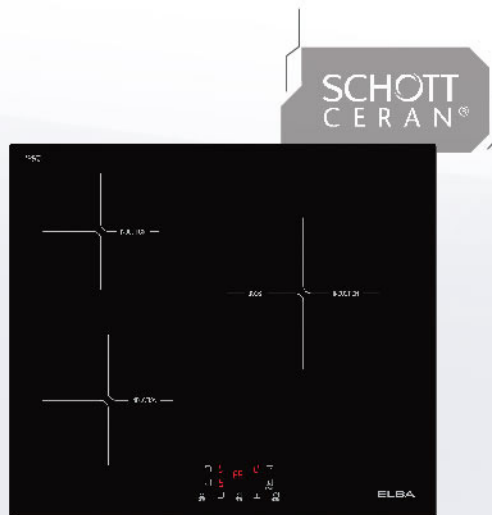
The convenience of separating your cooking zones, made possible with Combi Mode. Adjust the cooking zone accordingly to your needs and liking. Activate the selected zone to cook and manage two dishes at the same time or choose to only cook one dish.



Power Bridge

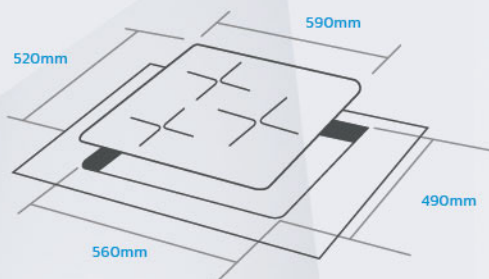
Whip up your favourite dishes with the integrated Power Bridge function. The connection between two separate cooking zones can be done to form one large cooking zone. The perfectly even heat distribution on the entire base of the pan makes it great for grilling and cooking fish with a bigger pan.

Built-in Induction Cooker



Product Dimension (mm):
590 (W) x 520 (D)

Built-in Dimension (mm):
560 (W) x 490 (D)



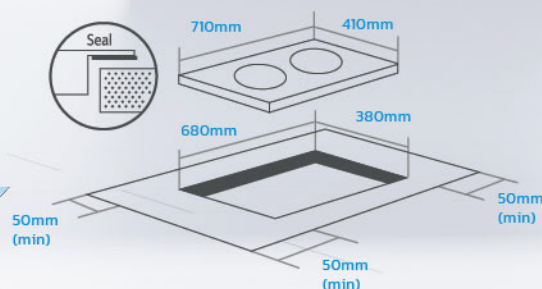
EIC-K6083ST(BK)

- 3 Cooking Zones
- Power Output: 2,200W + 1,800W + 1,400W
- 9-power Level Control
- Schott Ceran Glass
- Front Control with Sensor Touch
- With Booster Function
- Automatic Safety Switch Off after 120 Minutes
- 1 - 99 Minutes Cooking Timer
- Safety Child Lock
- Residual Heat Indicator
- Overheating Protector



Product Dimension (mm):
710 (W) x 410 (D)

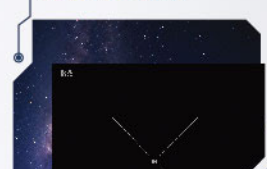
Built-in Dimension (mm):
680 (W) x 380 (D)



EIC-Q7092ST(BK)

- Dual Cooking Zones
- Power Output: 2,100W + 2,100W
- 9-power Level Control
- Vulкера Glass
- Front Control with LED Sliding Touch
- With Booster Function
- Automatic Safety Switch Off After 120 Minutes
- 1 - 99 Minutes Cooking Timer
- Safety Child Lock
- Residual Heat Indicator
- Overheating Protector
- Automatic Safety Switch Off After 120 Minutes

Vulкера Glass



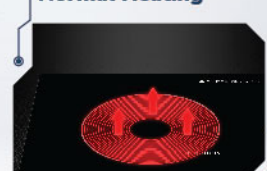
Vulкера glass-ceramic cooktop is more durable, heat permeable and transfers the heating energy directly to the cookware

Smart Detect Auto Sensor Technology



It will detect the base of cooking utensils, allowing food to cook evenly. It can also automatically detect once the utensil is removed and will switch off.

Normal Heating

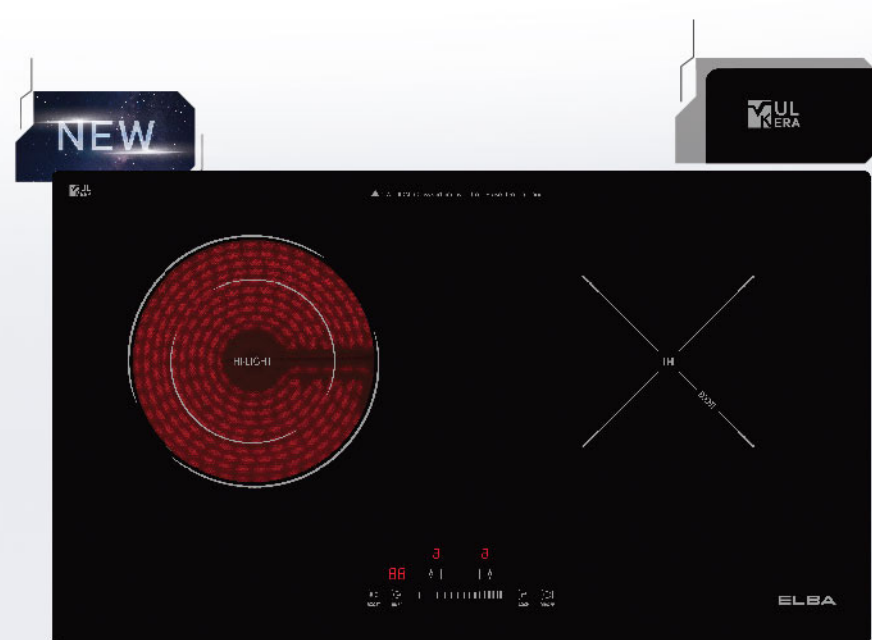


Booster Function Activated



Maximise power by activating the dual zones to perform strong cooking output in reduced cooking time.

Built-in Induction Ceramic Hob

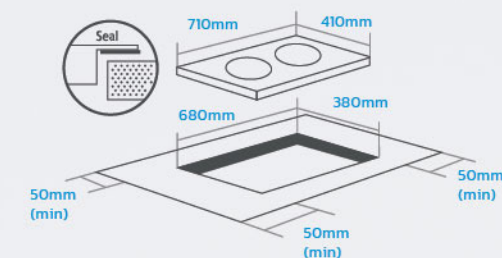


EICH-Q7052ST(BK)

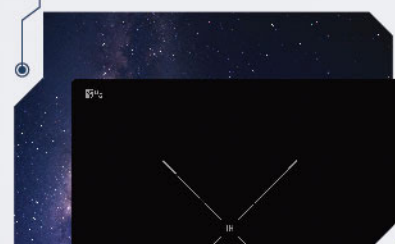
- Dual Cooking Zones
- Power Output: 2200W (Ceramic) + 2100W (Induction)
- 9-power Level Control
- Vulquera Glass
- Front Control with Sliding Touch
- With Booster Function
- With Dual Heat Technology
- Automatic Safety Switch Off After 120 Minutes
- 1 - 99 Minutes Cooking Timer
- Safety Child Lock
- Residual Heat Indicator
- Overheating Protector

Product Dimension (mm):
710 (W) x 410 (D)

Built-in Dimension (mm):
680 (W) x 380 (D)



Vulquera Glass



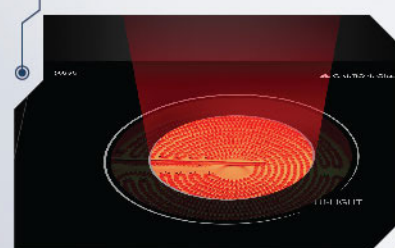
Vulquera glass-ceramic cooktop is more durable, heat permeable and transfers the heating energy directly to the cookware

EGO Heating Plate (German)

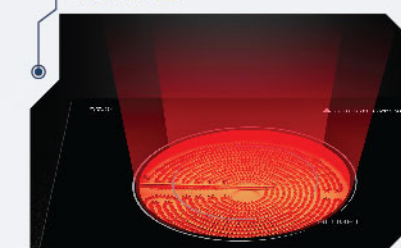


EGO Radiant Heating Elements maintain a consistent, steady level of heat at all times-including circuit breaker protection.
*Only apply to selected models.

Normal Heating



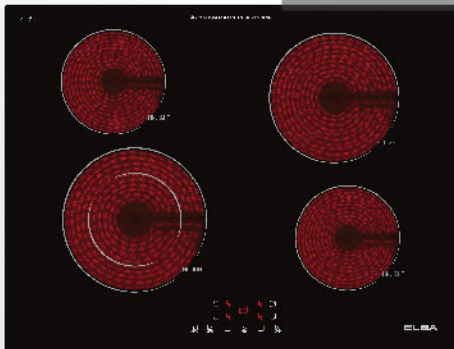
DUAL HEAT Technology Activated



Maximise power by activating the dual zones to perform strong cooking output in reduced cooking time

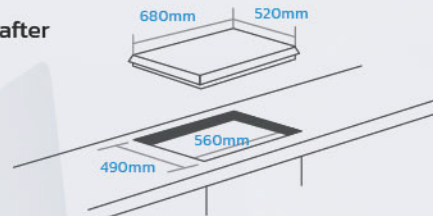
Built-in Ceramic Hob

SCHOTT CERAN®



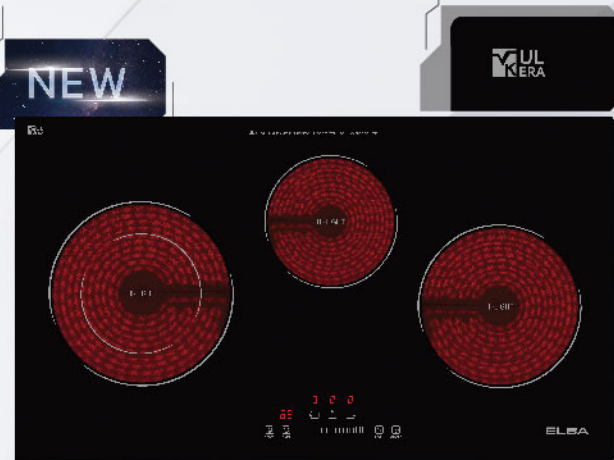
ECH-K6014ST(BK)

- 4 Cooking Zones
 - Two Zones with 165mm Diameter (1,200W)
 - One Dual Zone with 140mm Diameter (1,000W to 230mm Diameter (2,200W))
 - One Zone with 200mm Diameter (1,800W)
- 9-power Level Control
- High Durability EGO Heating Plate (German)
- Schott Ceran Glass
- Front Control with Sensor Touch
- With DUAL HEAT Technology
- Automatic Safety Switch Off after 120 Minutes
- 1 - 99 Minutes Cooking Timer
- Safety Child Lock
- Residual Heat Indicator
- Overheating Protector



Product Dimension (mm):
680 (W) x 520 (D)

Built-in Dimension (mm):
560 (W) x 490 (D)

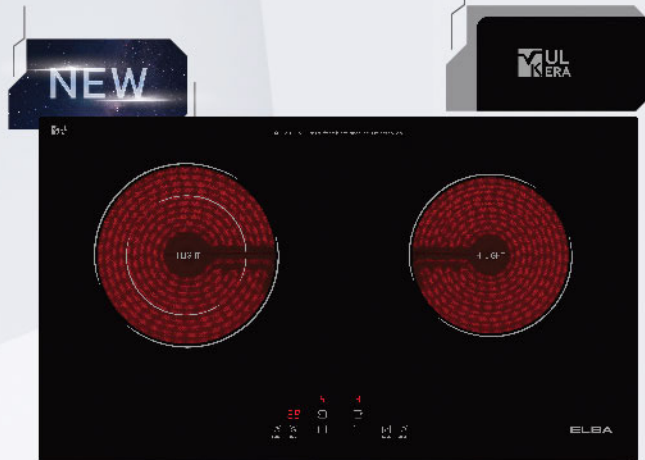
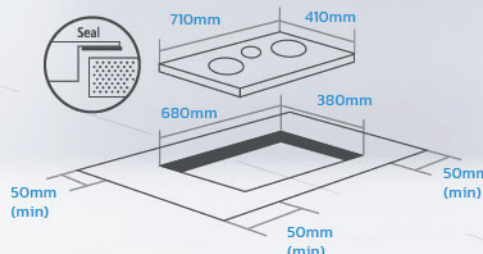


ECH-Q7033ST(BK)

- Three Cooking Zones
- Power Output: 2,200W + 1,800W + 1,200W
- 9-power Level Control
- Vulkera Glass
- Front Control with Sensor Touch
- With Dual Heat Tehnology
- Automatic Safety Switch Off After 120 Minutes
- 1 - 99 Minutes Cooking Timer
- Safety Child Lock
- Residual Heat Indicator
- Overheating Protector

Product Dimension (mm):
710 (W) x 410 (D)

Built-in Dimension (mm):
680 (W) x 380 (D)



ECH-Q7032ST(BK)

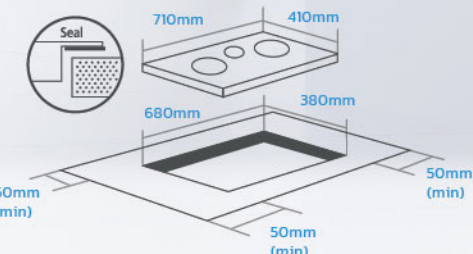
- Dual Cooking Zones
- Power Output: 2,200W + 1,800W
- 9-power Level Control
- Vulkera Glass
- Front Control with Sensor Touch
- With Dual Heat Technology
- Automatic Safety Switch Off After 120 Minutes
- 1 - 99 Minutes Cooking Timer
- Safety Child Lock
- Residual Heat Indicator
- Overheating Protector

Product Dimension (mm):
710 (W) x 410 (D)

Built-in Dimension (mm):
680 (W) x 380 (D)

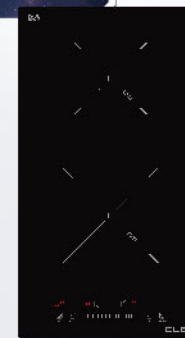


With 13Amp Plug



Built-in Domino Induction Hob

NEW

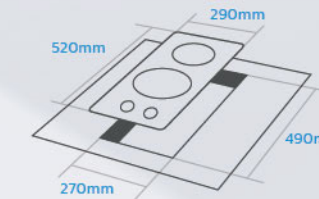


EDIC-Q3092ST(BK)

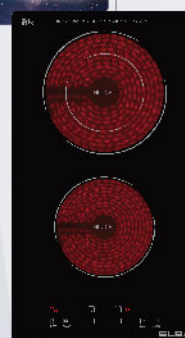
- Dual Cooking Zones
- Power Output: 2,100W + 1,500W
- 9-power Level Control
- Vulkera Glass
- Front Control with Sliding Touch
- With Booster Function
- Automatic Safety Switch Off After 120 Minutes
- 1 - 99 Minutes Cooking Timer
- Safety Child Lock
- Residual Heat Indicator
- Overheating Protector

Product Dimension (mm):
290 (W) x 520 (D)

Built-in Dimension (mm):
270 (W) x 490 (D)



NEW

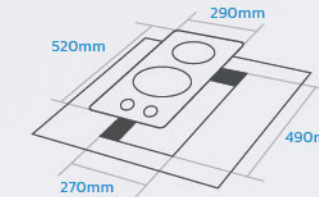


EDCH-Q3022ST(BK)

- Dual Cooking Zones
- Power Output: 2,000W + 1,200W
- 9-power Level Control
- Vulkera Glass
- Front Control with Sensor Touch
- With Booster Function
- Automatic Safety Switch Off After 120 Minutes
- 1 - 99 Minutes Cooking Timer
- Safety Child Lock
- Residual Heat Indicator
- Overheating Protector

Product Dimension (mm):
290 (W) x 520 (D)

Built-in Dimension (mm):
270 (W) x 490 (D)

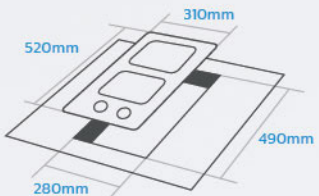


EDH-F3302G(BK)

- 300mm Built-in Hob
- Original Italian SABAF Burners including:
 - 1 Rapid Burner (3.0kW)
 - 1 Auxiliary Burner (1.0kW)
- Safety Valve (Flame Failure Device)
- Battery Auto Ignition System
- Cast Iron Pan Support
- Cast Iron Wok Support
- High Quality Tempered Glass
- Embraced Aluminium Frame

Product Dimension (mm):
310 (W) x 520 (D)

Built-in Dimension (mm):
280 (W) x 490 (D)

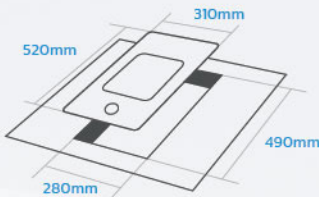


EDH-F3401G(BK)

- 300mm Built-in Hob
- 1 Triple Ring Original Italian SABAF Burner (3.8kW)
- Safety Valve (Flame Failure Device)
- Battery Auto Ignition System
- Cast Iron Pan Support
- Cast Iron Wok Support
- High Quality Tempered Glass
- Embraced Aluminium Frame

Product Dimension (mm):
310 (W) x 520 (D)

Built-in Dimension (mm):
280 (W) x 490 (D)



Built-in Stainless Steel Hob

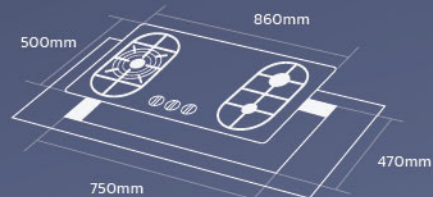


EBH-9930

- Original Italian SABAF Burners Including:
 - 1 Triple Ring Burner (3.5kW)
 - 1 Semi-rapid Burner (1.75kW)
 - 1 Auxiliary Burner (1.0kW)

Product Dimension (mm):
860 (W) x 500 (D)

Built-in Dimension (mm):
750 (W) x 470 (D)

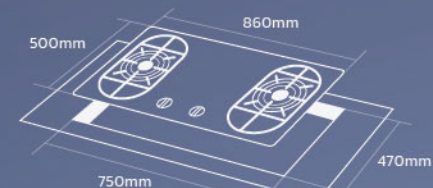


EBH-9920

- Original Italian SABAF Burners Including:
 - 2 Triple Ring Burner (3.5kW)

Product Dimension (mm):
860 (W) x 500 (D)

Built-in Dimension (mm):
750 (W) x 470 (D)

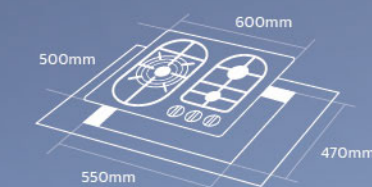


EBH-6630

- Original Italian SABAF Burners Including:
 - 1 Triple Ring Burner (3.5kW)
 - 1 Semi-rapid Burner (1.75kW)
 - 1 Auxiliary Burner (1.0kW)

Product Dimension (mm):
600 (W) x 500 (D)

Built-in Dimension (mm):
550 (W) x 470 (D)

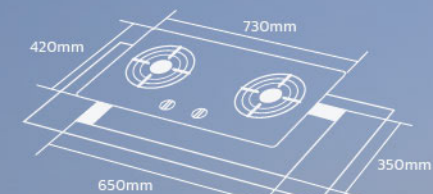


EBH-M8962(SS)

- 2 Triple Ring Burner (5.0kW)

Product Dimension (mm):
730 (W) x 420 (D)

Built-in Dimension (mm):
650 (W) x 350 (D)



COMMON POINTS

- Safety Value (Flame Failure Device)
 - Cast Iron Wok Support*
 - Cast Iron Pan Support
 - Battery Auto Ignition System
- *Except EBH-M8962(SS)

Built-in Glass Hob

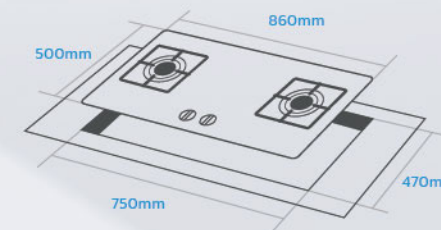


EGH-F9542G(GR)

- Original Italian SABAF Burners Including:
 - 2 Triple Ring Burner (5.0kW)
- Grey Tempered Glass

Product Dimension (mm):
860 (W) x 500 (D)

Built-in Dimension (mm):
750 (W) x 470 (D)

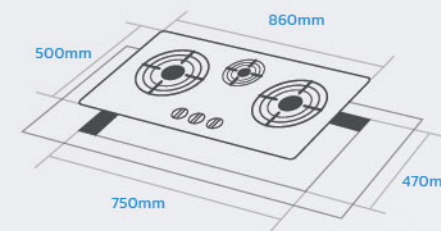


EGH-E9523G(GR)

- Original Italian SABAF Burners Including:
 - 2 Triple Ring Burner (5.0kW)
 - 1 Semi-rapid Burner (1.75kW)
- Grey Tempered Glass
- Aesthetic Round Knob

Product Dimension (mm):
860 (W) x 500 (D)

Built-in Dimension (mm):
750 (W) x 470 (D)

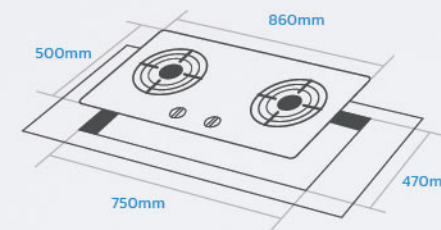


EGH-E9522G(GR)

- Original Italian SABAF Burners Including:
 - 2 Triple Ring Burner (5.0kW)
- Grey Tempered Glass
- Aesthetic Round Knob

Product Dimension (mm):
860 (W) x 500 (D)

Built-in Dimension (mm):
750 (W) x 470 (D)



Italian SABAF Burners (5.0kW)



Powerful Italian made burner with intense heat and steady flame to perform fast cooking and efficient gas consumption.

Aluminium Edge



COMMON POINTS

- Safety Value (Flame Failure Device)
- Battery Auto Ignition System
- Cast Iron Pan Support
- Cast Iron Wok Stand
- Embraced Aluminium Frame



EGH-K9582G(BK)

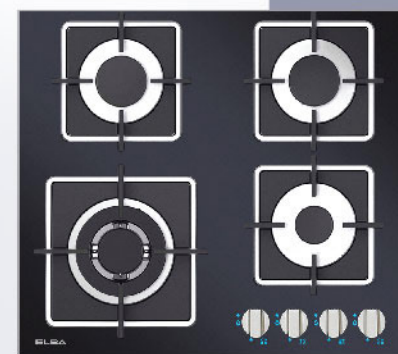
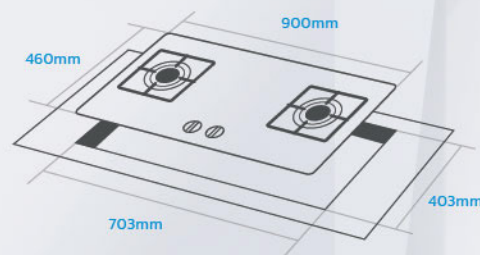
- 2 Triple Ring Burners (5.0kW)
- High Quality Tempered Glass With Bevelled Edges
- Automatic Battery Ignition
- Safety Valve (Flame Failure Device)
- Cast Iron Pan Support
- Cast Iron Wok Support

Product Dimension (mm):

900 (W) x 460 (D)

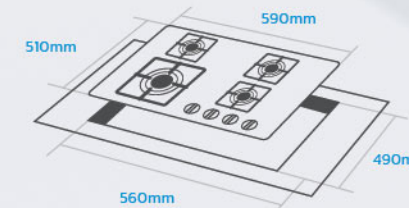
Built-in Dimension (mm):

703 (W) x 403 (D)



EGH-G6404G(BK)

- 4 Original Italian SABAF Burners including:
 - 1 Triple Ring Burner (4.2kW)
 - 2 Semi-rapid Burners (1.75kW)
 - 1 Auxiliary Burner (1.0kW)
- Full Black Tempered Glass
- Embraced Aluminium Frame

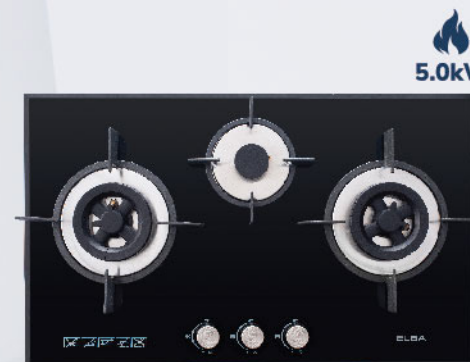


Product Dimension (mm):

590 (W) x 510 (D)

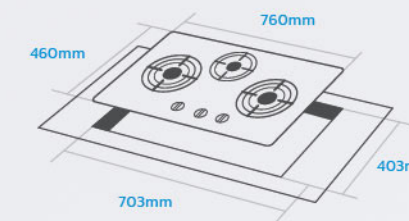
Built-in Dimension (mm):

560 (W) x 490 (D)



EGH-K8943G(BK)

- 2 Triple Ring Burners (5.0kW)
- 1 Auxiliary Ring Burner (1.8kW)
- High Quality Tempered Glass With Bevelled Edges



Product Dimension (mm):

760 (W) x 460 (D)

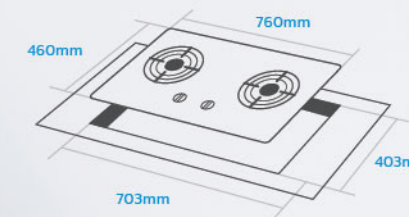
Built-in Dimension (mm):

703 (W) x 403 (D)



EGH-K8942G(BK)

- 2 Triple Ring Burners (5.0kW)
- High Quality Tempered Glass With Bevelled Edges



Product Dimension (mm):

760 (W) x 460 (D)

Built-in Dimension (mm):

703 (W) x 403 (D)

COMMON POINTS

- Safety Value (Flame Failure Device)
- Battery Auto Ignition System
- Cast Iron Pan Support
- Cast Iron Wok Stand