



# ELBA

**WATER PURIFIER**  
**MODEL: EWP-F3612U(WH)**

## **Owner's Manual**

Please read this manual carefully before operating your set.

Retain it for future reference.

Record model number and serial number of the set.

See the label attached on the set and quote this information to your dealer when you require service.

**For The Warranty Terms & Conditions, Please Refer To Warranty Certificate.**

Remove all packing materials from this product before using it.  
This appliance must be installed on a flat surface.  
Please ensure the electric supply to this appliance is disconnected before installing.

Please read this instruction carefully. It is advisable to keep this instruction manual in a safe place for future reference.

## SAFETY PRECAUTIONS

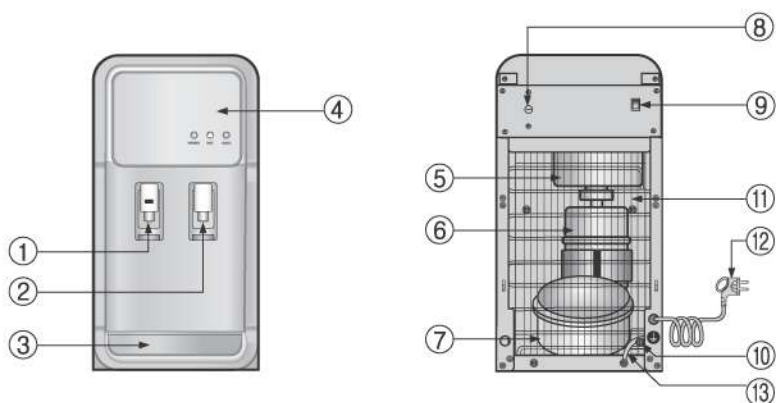
1. Keep electrical appliances out of reach from children.  
Do not let them operate the appliances without supervision.
2. To protect against the risk of electrical shock, do not immerse the product, cord or plug into water or any other liquids.
3. This product is not intended for use by person(including children) with reduced physical, sensory or mental capabilities unless they have been given supervision or instruction concerning use of the appliance by a person responsible for their safety.
4. If the power cord or plug is damaged, it must be replaced by the service centre or a qualified service technician to avoid hazard.
5. Do not operate the appliance for purposes other than its intended use.

## WARNING

to reduce the risk of fire, electrical shock or injury to persons or property, please read and follow below instructions carefully.

- Always operate the product from a power source of the same voltage, frequency and rating as indicated on the product identification marking.
- Do not operate this product if it has malfunctioned, damaged cord or plug or appears damaged in any way. Return the complete product to the place of purchase for inspection, repair or replacement.
- This product should not be used in the immediate vicinity of water, such as bathtub, washbowls, swimming pool etc. where the likelihood of immersion or splashing could occur.
- Always switch off and unplug the plug from outlet when not in use, before assembling or disassembling parts and before cleaning. Fully assemble the set before operating.
- Avoid contacting with moving parts. Do not insert any object through the guard when the set is operating.
- Always disconnect the appliance when moving it from one location to another.
- Never use any accessories or parts from other manufacturers or that ELBA does not specifically recommend.

## PRODUCT DESCRIPTION



No.	Part Name	No.	Part Name
1	Hot water safety tap	2	Cold water tap
3	Drip tray	4	Operation panel
5	Cold water tank	6	Hot water tank
7	Compressor	8	Cold water thermostat
9	Hot switch	10	Drain cap
11	Wire condenser	12	Power cord
13	Earth wire		

## PRODUCT FEATURE

### 1. Fashionable Design:

- Stylish design.
- Space saver-Sleek, modern shape, takes less space.
- Safety HOT cock for children is standard whereas COLD cock is optional

### 2. Excellent cooling efficiency:

- High efficiency compressor for efficient recovery of water temperature.
- You can enjoy cold water after 60 minutes of supplying tap water into the water purifier for the first time
- You can get 3°C-7°C cold water from the cold water tank within one hour.  
The cold water tank is made from stainless steel for maximum efficiency.

### 3. Excellent heating efficiency:

- You can enjoy hot water after 30 minutes of supplying tap water into the water purifier for the first time.
- You can get 77°C-87°C hot water within 30 minutes.
- The hot water tank is made from stainless steel for maximum heating efficiency.

### 4. Structural Design:

- Using high quality materials and designed from Korea, the structural design of the water purifier is strong enough to withstand fairly strong weight burden with ease due to effective weight allocation.

## CHARACTERISTICS OF FILTER

Stage	Filter Name	Characteristics
1st	Sediment filter	This filter removes sediment particles such as dirt, grit, dust and sand as well as protects the pre-carbon filter from being clogged.
2nd	Pre-carbon filter	This filter removes residual chlorine, organic residues, decolouring in the water, absorbs heavy metals and assists the U/F membrane as well as extends the lifespan of U/F membrane.
3rd	U/F membrane filter	This Ultra Filtration Membrane removes a variety of bacteria, other microscopic impurities and harmful organic chemicals to form pure water which contains only minerals desired by the human body.
4th	Post-carbon block filter	This high absorption and high turbidity reduction filter removes chlorine, bad taste and odour, and organic chemicals that contribute to taste and odour.

- ※ Filter lifespan varies according to the area's water quality, temperature and pressure.
- ※ These filters should be used with tap water only, not underground water.

## INSTALLATION

- Turn off main water valve before installation.
- Connect adaptor to the cold water pipe(only).
- Connect inlet tube to the adaptor.
- Open main water valve and drain water from hot/cold water faucet of the unit.
- Connect power plug to the socket and turn on the hot water switch in the rear.
- After electricity is applied, it takes about 30 minutes for hot water and 60 minutes for cold water to serve.
- Please drain all water in the unit if you will not use for long period.

## TROUBLESHOOTING

Problem	Causes	Troubleshoot
Hot and Cold water neither available	Power disconnected from the socket.	Check if power plug is connected to the socket.
	Fuse burnt.	Replace fuse.
Cold water not available	Cold water thermostat is in the range of low.	Adjust cold water thermostat.
	Excessive use of cold water.	Wait until the cold water has chilled enough.
	The ventilation around unit is insufficient.	Keep unit apart from the wall by at least 15cm.
	The cold water baffle inside the water tank has been separated.	Connect and ensure the cold water baffle is connected tightly
Hot water not available	Excessive use of hot water.	Wait until the hot water has heated enough.
	The hot water switch is in the "OFF" position.	Turn the hot water switch on.
Noise	Unit is not level.	Install the unit on a flat and levelled.
Water leakage	Connecting hose has loosen.	Check if hoses and fittings are connected correctly.

## MAIN SPECIFICATION

Model No.	EWP-F3612U(WH)	
Filter System	U/F System	
Dimension(Net) (mm)	260(W) x 485(D) x 510(H)	
Weight(Net)	15.5Kgs	
Voltage / Hz	AC 220-240V ~ , 50Hz	
Cooling	0.55A	
Hot	430W	
Power Consumption	515W	
Climate Class	T	
Water Tank Material	Stainless Steel	
Tank Capacity	Cold	3.6L
	Hot	1.2L
Refrigerant	R-134a	
Max. Inlet Water Pressure	7kgf/cm <sup>2</sup>	
Country of Origin	The Republic of KOREA	

## MAINTENANCE

- Always unplug the power plug before cleaning unit.
- Do not use any detergent, chemical, steel, wooden or abrasive cleaners to clean.
- Clean the appliance using a damp cloth with mild cleaner.
- After cleaning the unit, please ensure that it is completely dry before connecting to the electrical mains.

## ELECTRICAL USAGE

Always operate the product from a power source of the same voltage, frequency and rating as indicated on the product identification marking.

## NOTICE

This product must not be disposed together with domestic waste. It has to be disposed at an authorized place for recycling of electrical and electronic appliances. By collecting and recycling waste, you help to save natural resources and make sure the product is disposed in an environmental friendly and healthy way.

**ELBA**