



ELBA

WATER DISPENSER

MODEL: EWD-B7068(GR)

Owner's Manual

Please read this manual carefully before operating your set.

Retain it for future reference.

Record model number and serial number of the set.

See the label attached on the set and quote this information to your dealer when you require service.

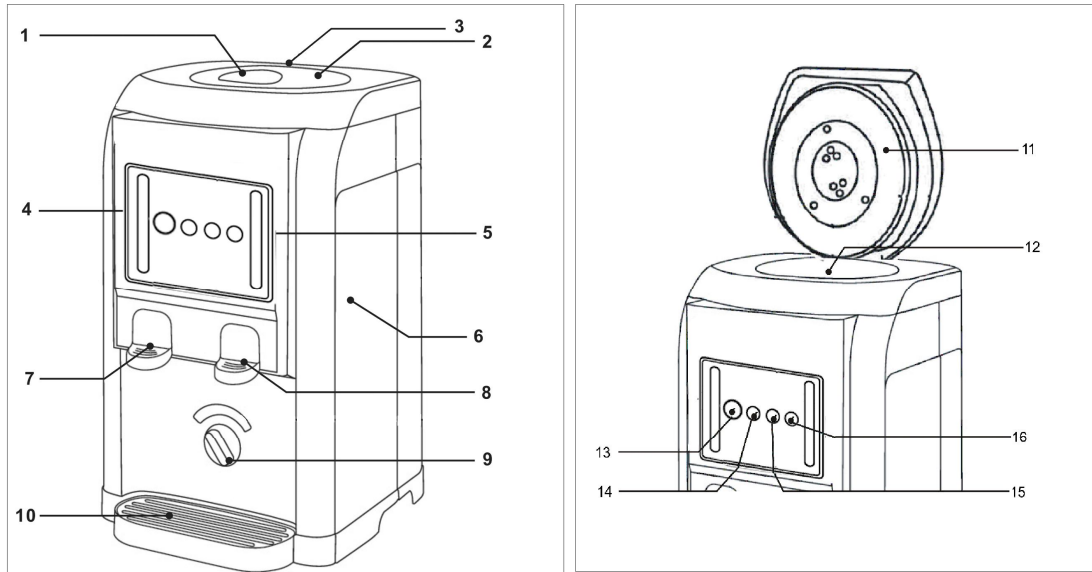
For The Warranty Terms & Conditions, Please Refer To Warranty Certificate.

IMPORTANT SAFEGUARDS

When using this appliance, basic precautions should always be followed, including the following:

1. Read all instructions before using.
2. Never immerse the appliance in water or any other liquids, nor rinse it under the tap.
3. Do not operate the appliance with a damaged power cord or plug or after the appliance malfunctions, or it is dropped or damaged in any manner. Return the appliance to the nearest authorized dealer or after-sales service centre for examination, repair or mechanical adjustment.
4. Keep the main cord out of children. Do not let the main plug hang over the edge or the table or worktop on which the appliance stands.
5. Do not place the appliance near to wall, glass window, gas or electric burner.
6. Wait until the appliance has cooled down before cleaning and removing or replacing the water tank cover.
7. Take extreme care when removing the appliance if it contains hot water.
8. Always use the dispenser on a flat and stable surface to prevent the mains cord from coming into contact with hot surfaces.
9. Unplug the appliance if problems occur during boiling and before you clean it.
10. Beware of hot steam coming out from the steam vent and when you open the water tank cover.
11. Never over filling water into the water tank as it may cause splash out! Refer to "full" water level mark in the inner water tank.
12. Keep hands or any parts of your body away from the water outlet for a second or two after pressing the dispense button as hot water emitted from the water outlet will cause splashing.
13. This appliance is intended to be used in household only.
14. Do not use this appliance outdoors.
15. Do not use the appliance while it is boiling.
16. Make sure the function selection knob is turned to "Boiling" before adding water into the water tank.
17. This appliance is for domestic use only.
18. This appliance is not intended for used by persons (including children) with reduced physical, sensory or mental capabilities, or lack of experience and knowledge, unless they have been given supervision or instruction concerning use of the appliances by a person responsible for their safety.
19. Children should be supervised to ensure that they do not play with the appliance.

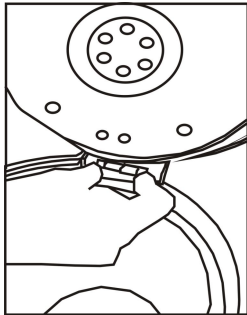
PRODUCT DESCRIPTION



1. Water tank latch
2. Water tank cover
3. Steam vent
4. Water level indicator
5. Control panel
6. Product body
7. Hot water dispensing lever
8. Warm water dispensing lever
9. Function selection knob (To boil or to dispense)
10. Water collector
11. Stainless steel plate
12. Water tank
13. Re-boil button
14. Boiling indicator
15. Power indicator
16. Keep warm indicator

REMOVE AND ATTACH THE WATER TANK COVER

(Detach the water tank cover)



1. Open the hood, and hold the switch in joint. Clamp the switch and take out the hood.
Caution: Be careful of the hot steam coming out from the steam vent.
Note: Never remove the lid while the water is boiling.

(Attach the water tank cover)

1. Clamp the switch and insert hood into joint, and hood will be fixed. Ensure that the water tank cover is attached properly and close the lid until it clicks.
Note: Never remove the lid while the water is boiling.

HOW TO BOIL WATER

Note: This water dispenser comes with 2 tanks which are hot and warm tank. The hot tank will boil water and transfer the hot water to warm tank subsequently. Please note that no boiling function at warm tank. To boil water, always turn the function selection knob to left side (Boiling) in order to segregate and prevent the non-boil water from entering into the warm tank. After the water boils, turn the function selection knob to right (Use) to allow water transfer from hot tank to warm tank.

1. Turn the function selection knob to left side- "Boiling".
2. Add water into the water tank. Refer to the water level mark inside the water tank and do not fill water above the "Full" mark. Connect the plug the wall outlet and power on the water dispenser.
3. At this stage, the boiling and power indicators will light up. This indicates that the water dispenser is operating. It takes about 50 minutes for cold water to boil.
4. After boiling, the boiling indicator will turn off, and the power and keep warm indicators will light up. Turn the function selection knob to right- "Use" (this is to allow boiled water to be transferred from hot tank to warm tank). If you do not turn the function selection knob to the right, no warm water can be dispensed as the boiled water is not transferred into the keep warm tank.

Note: There is no keep warm function in the warm tank. The temperature of hot water stored in this tank will drop as time passes.

Note: Do not add water into the water tank while the water dispenser is boiling.

HOW TO REFILL WATER

1. Before water is added or re-filled into the water tank, turn the function selection knob to left- "Boiling". This step will segregate and prevent the non-boil water being transferred to warm tank directly.
2. If there is not enough water inside the hot tank (below the min water level), the water dispenser will not re-boil water.

TO RE-BOILING WATER

1. Before water is added or re-filled into the water tank, refer to the water level mark inside the water tank and do not fill water exceeding the "Full" mark. After re-fill water, the water dispenser will automatically boil the water.
2. At this stage, the boiling and power indicators will light up. This indicates that the water dispenser is operating. It will takes up 2 to 3 minutes to boil the full tank of water.
3. After boiling, the boiling indicator will turn off, and the power and keep warm indicators will light up.

TO DISPENSE WARM WATER

1. After the boiling process, turn the function selection knob to right- "Use" and boiled water from hot tank will be transferred to warm tank.

Note: For first time usage, it may take a few minutes to enable warm water to be dispensed from the warm tank.

Caution: When water level drop below the min water level mark, please refill water immediately. Refer to water level indicators at the control panel.

CLEANING AND MAINTENANCE

1. Always allow appliance to cool down before cleaning.
2. Remember to unplug the plug from wall outlet.
3. Dispense the remaining water inside the water tank.
4. Wipe the product body with a damp cloth.
5. Due to impurities of water, the container may change color or has some spots after several usages. Clean the water tank with soapy water by using sponge, cut 2 to 4 slices of lemon and squeeze juice into the inner tank. Fill up water into the water tank till it reaches the max line. Power on the water dispenser and let the lemon mixture store inside the container for at least 2 hours. Pour out the water and clean the water tank with sponge and rinse it thoroughly.
6. Do not use abrasive cleaners or scouring pad to clean the inner tank as well as the product body.

ELBA