

ELBA

UPRIGHT FREEZER **MODEL: EUF-Q2750FF(GR)**

Owner's Manual

Please read this manual carefully before operating your set.

Retain it for future reference.

Record model number and serial number of the set.

See the label attached on the set and quote this information to your dealer when you require service.

For The Warranty Terms & Conditions, Please Refer To Warranty Certificate

CONTENTS

1. SAFETY PRECAUTIONS.....	1
2. INSTALLATION.....	2-3
3. PRODUCT DESCRIPTION.....	4
3.1 OVERVIEW.....	4
3.2 CONTROL PANEL.....	5
3.2.1 TEMPERATURE SETTING.....	5
3.2.2 SUPER FREEZING MODE.....	5
3.2.3 ALARM BUZZER.....	5
3.2.4 HIGH TEMPERATURE ALARM.....	5
4. DAILY TIPS.....	6
4.1 FREEZING FRESH FOOD.....	6
4.2 RECOMMENDATIONS FOR PRESERVATION OF FROZEN FOOD.....	6
5. CLEANING AND MAINTENANCE.....	7
6. TROUBLESHOOTING.....	8
7. MAIN SPECIFICATION.....	9

REMOVE ALL PACKING MATERIALS FROM THIS APPLIANCE BEFORE USING IT. THIS APPLIANCE MUST BE INSTALLED ON A FLAT SURFACE. PLEASE ENSURE THE ELECTRICITY SUPPLY TO THIS APPLIANCE IS DISCONNECTED BEFORE INSTALLING. Please read this instruction carefully. It is advisable to keep this instruction manual in a safe place for future reference.

1. SAFETY PRECAUTIONS

- Keep this appliance out of reach from children. Do not let them to operate the appliance without supervision.
- Check the current rating on the rating plate and make sure the current supplied is matched with the appliance before using.
- This appliance must be stationed at least 10cm away from the surrounding objects. There should not be anything to be placed on top of the appliance.
- This appliance is for household and indoor use only.
- This appliance is not intended for use by person (including children) with reduced physical, sensory or mental capabilities unless they have been given supervision or instruction concerning use of the appliance by a person responsible for their safety.
- If the power cord or plug is damaged, it must be replaced by the service centre or a qualified service technician to avoid hazard.
- This appliance should not be placed near possible heating resources or under direct sunlight to avoid decreasing the efficiency of refrigeration.
- This appliance should be placed in a cool dry place where there is no vicinity of water splashing or high humidity.

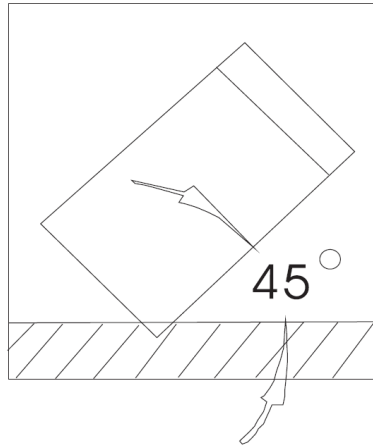
WARNING - to reduce the risk of fire, electrical shock or injury to persons or property, please read and follow below instructions carefully:

- Always operate the appliance from a power source of the same voltage, frequency and rating as indicated on the appliance identification marking.
- Do not operate this appliance if it has malfunctioned, damaged cord or plug or appears damaged in any way. Return the complete product to the place of purchase for inspection, repair or replacement.
- This appliance should not be used in the immediate vicinity of water, such as bathtub, washbowls, swimming pool etc. where the likelihood of splashing could occur.
- Always switch off and unplug the plug from outlet when not in use and before cleaning.
- When the appliance is operating, the condenser and compressor will be hot.
- This appliance must be grounded and the ground wire should not be connected to any heating pipe and gas pipe.
- Do not place carbonated or fizzy drinks into the freezer.
- Do not attempt to touch the freezer when your hand is damp or wet as this could cause skin abrasions or frost burns.
- This appliance is designed to operate in ambient temperatures (surrounding air temperature) between 16°C and 32°C.
- This appliance will create frost in the door seal if the appliance door seal is not in good condition or door is opened frequently.

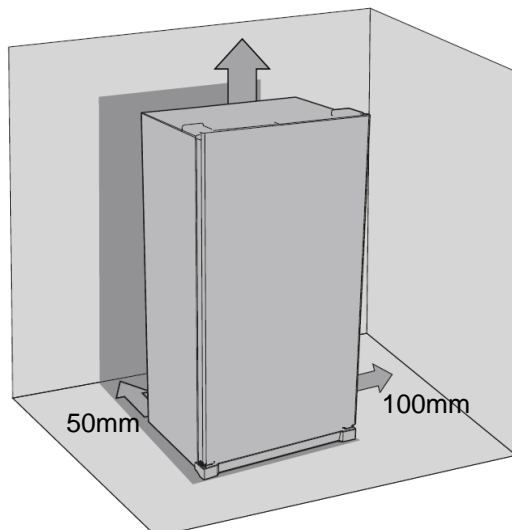
2. INSTALLATION

1. This appliance is heavy. Care should be taken when moving it.
2. When you transport the appliance, the angle between the compartment body and the ground should not be less than 45°.

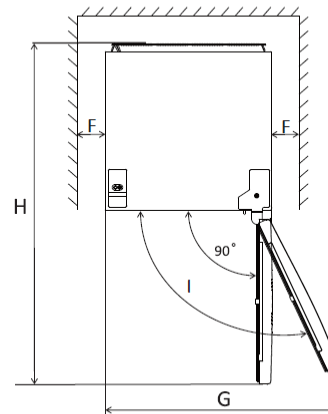
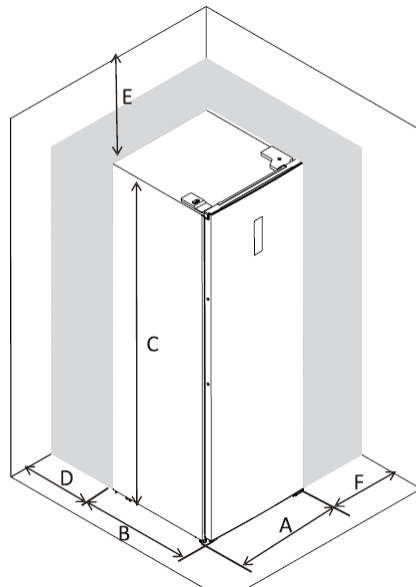
WARNING: *Never put the appliance upside down.*



3. Once the appliance has landed properly on a flat and stable surface, remove all the packing material including any plastic packaging material in the appliance.
4. There must be appropriate air ventilation around your freezer in order to achieve an efficient operation. The back of the appliance should be kept at least 50mm distance to a wall for ventilation purpose. Do not place your product on the materials such as rug or carpet.

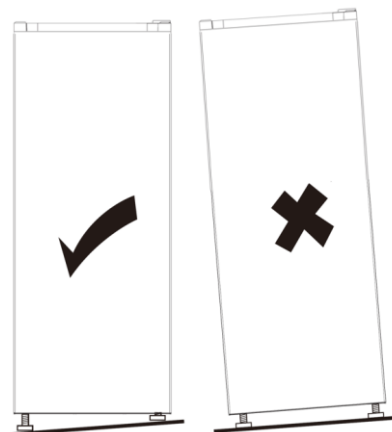


5. Allow the side of the appliance to be kept at least 100mm distance when installing and allow the door to be open 115°.



A	B	C	D	E	F	G	H	I
550mm	594mm	1,683mm	Min 50mm	Min 50mm	Min 50mm	840mm	1,150mm	115°

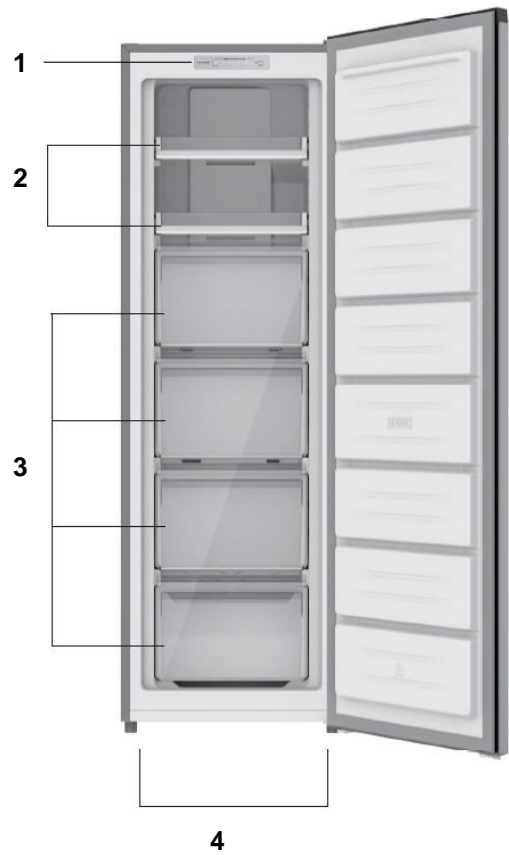
6. Please make sure the appliance levelling feet according to the installation condition, please adjust the feet to the suitable level. If the appliance not level, the doors and magnetic seal alignments will not be covered properly.



7. Wash the inside of the appliance with lukewarm water with a little bicarbonate of soda added (5ml to 0.5 litre of water). Do not use soap, detergent or any abrasive cleaner to wash. Dry the appliance thoroughly after cleaning.
8. Idle for 2 hours before connecting the electrical mains to ensure the refrigerant in the compressor has settled well.
9. Make sure the ground is solid and will not vibrate when the appliance is operating.
10. Connect the electrical mains and switch on the power for 4 hours initially without adding any goods.
11. If these temperatures are exceeded i.e., colder or warmer, the appliance will not operate correctly. Should the ambient temperatures be exceeded for long periods, the temperature in the freezer section will rise above -18°C and food spoilage may occur.

3. PRODUCT DESCRIPTION

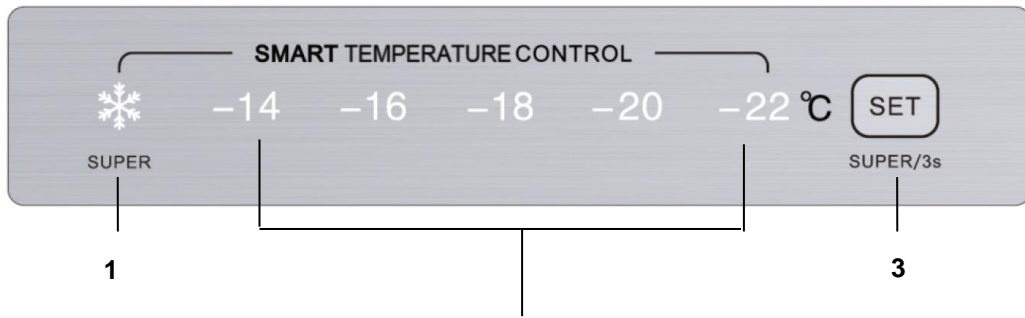
3.1 Overview



- 1. Control Panel
- 2. Tray Compartment
- 3. Drawer Compartment
- 4. Level feet

* The above image is for reference purpose only. The actual appliance maybe slightly different.

3.2 Control Panel



1. Super Freezing Mode
2. Temperature Indicator
3. Function/Temperature Selection

3.2.1 Temperature Setting

Temperature can be adjusted by press the “SET” button. When the “SET” button is select, the indicator lights will light up according to temperature setting.

The freezer thermostat control situated in the appliance regulates the temperature setting. The internal temperature is controlled by a sensor. There are 5 settings which is “-14°C, -16 °C, -18°C, -20°C, -22°C” and Super Freezing mode. The warmest setting is -14°C and -22°C is the coldest setting. It’s advisable to use the optimal setting which is -18°C to avoid the freezer in coldest temperature and it will reduce the life span of the compressor.

3.2.2 Super Freezing Mode

Press and hold “SET” button for 3 seconds, the freezer will automatically activate the super freezing mode. When the super freezing mode is activated, the temperature will be cooled down continuously to prevent the food nutrition against lost and the preservation of freshness. Press and hold “SET” button for 3 seconds to exit super freezing mode.

After a continuously cooling for 50 hours, the super freezing mode will off automatically. The temperature setting will be restored to last operating temperature.

3.2.3 Alarm Buzzer

When the freezer door open for more than 90 seconds, the buzzer starts alarm. Keep the door closed in order to turn off alarm.

3.2.4 High Temperature Alarm

When the internal has the high temperature is detected, a high temperature alarm will be triggered. All indicator light keeps flashing. Press “SET” button to cancel the alarm.

4. DAILY TIPS

4.1 Freezing fresh food

- It is recommended to wrap or cover the food before placing them in the freezer.
- The food that you want to freeze must be fresh and in good quality.
- Food must be divided into portions according to the family's daily or meal based consumption needs.
- The food must be packaged in an airtight manner to prevent them from drying even if they are going to be kept for a short time.
- Please observe the following instructions to obtain the best results.
 - I. Do not freeze too large quantities of food at one time. The quality of the food is best preserved when it is frozen right through to the core as quickly as possible.
 - II. Placing warm food into the freezer compartment causes the cooling system to operate continuously until the food is frozen solid.
 - III. Do not block the outlet and inlet of the cool air circulating, otherwise the foods will not be evenly cooled throughout the freezer.
 - IV. Keep the door securely closed.

4.2 Recommendations for preservation of frozen food

- Frozen food must be used immediately after they are thawed and they should never be re-frozen.
- To ensure that the high quality achieved by the frozen food manufacturer and the food retailer is maintained, the following should be remembered:
 1. Put packages in the freezer as quickly as possible after purchase.
 2. Ensure that contents are labelled and dated.
 3. Do not exceed "Best Before", "Use By" dates on the product packaging date.

5. CLEANING AND MAINTENANCE

1. Always ensure that the electrical mains is turned off and unplug before cleaning the appliance.
2. Do not open the door frequently and too long to save energy. Opening the door for prolonged period may cause the freezer unable to perform optimum cooling.
3. Do not use chemical, steel, wooden or abrasive cleaners to clean the appliance.
4. Never use sharp instruments to scrape off frost or ice.
5. After cleaning, wipe the appliance until it is completely dry.
6. Use warm water to clean the oil and stains on the magnetic gasket in order to keep its elasticity.
7. This product should be serviced by an authorized service technician. Please contact the service centre if you required service on the appliance.
8. Under no circumstances should you attempt to repair the appliance by yourself.
9. Repairs carried out by inexperienced persons may cause injury or serious malfunctioning.

6. TROUBLESHOOTING

Failure	Failure Reason	Possible Solution
Appliance does not cool	The power is off	Turn on the power
	The plug is not plugged in	Plug in and turn on the power
	The fuse on the plug has broken	Change the fuse
Appliance is too warm	The thermostat is set to minimum	Check the thermostat and regulate to normal position
	The door has not closed properly	Make sure the door is closed properly
	The door has opened too frequently	Take all necessary food at once. Do not open too frequently
Loud noise	The base supporting the appliance is too soft	Mount wood at the bottom
	The appliance is inclining, surface not flat	Make sure the product is positioned in a flat surface
	The wheel does not touch the floor well	Adjust the wheel screw
The compressor does not stop	The food is warm and too much food stored	Store the food after cooling or reduce the quantity
	Door is opening too regular	Reduce the frequency to open the door
	Door has not closed properly	Make sure the door is closed properly
	Directly under sunlight or too close to heat resources	Do not install the product under direct sunlight
	The air ventilation is not good	Keep certain space for ventilation

7. MAIN SPECIFICATION

Model No	: EUF-Q2750FF(GR)
Gross Capacity	: 270 Litres
Net Capacity	: 204 Litres
Climatic Type	: T
Insulation Class	: CLASS I
Rated Voltage	: 220-240V / 50Hz
Rated Current	: 1.3 A
Refrigerant	: R600a (38g)

NOTICE

This appliance must not be disposed together with domestic waste. It has to be disposed at an authorized place for recycling of electrical and electronic appliances. By collecting and recycling waste, you help to save natural resources and make sure the appliance is disposed in an environmental friendly and healthy way.



ELBA