

**ELBA**

**UPRIGHT FREEZER**  
MODEL: EUF-J2217(SV)

**Owner's Manual**

Please read this manual carefully before operating your set.

Retain it for future reference.

Record model number and serial number of the set.

See the label attached on the set and quote this information to your dealer when you require service.

For The Warranty Terms & Conditions, Please Refer To Warranty Certificate

REMOVE ALL PACKING MATERIALS FROM THIS PRODUCT BEFORE USING IT. THIS APPLIANCE MUST BE INSTALLED ON A FLAT SURFACE. PLEASE ENSURE THE ELECTRICITY SUPPLY TO THIS APPLIANCE IS DISCONNECTED BEFORE INSTALLING.

Please read this instruction carefully. It is advisable to keep this instruction manual in a safe place for future reference.

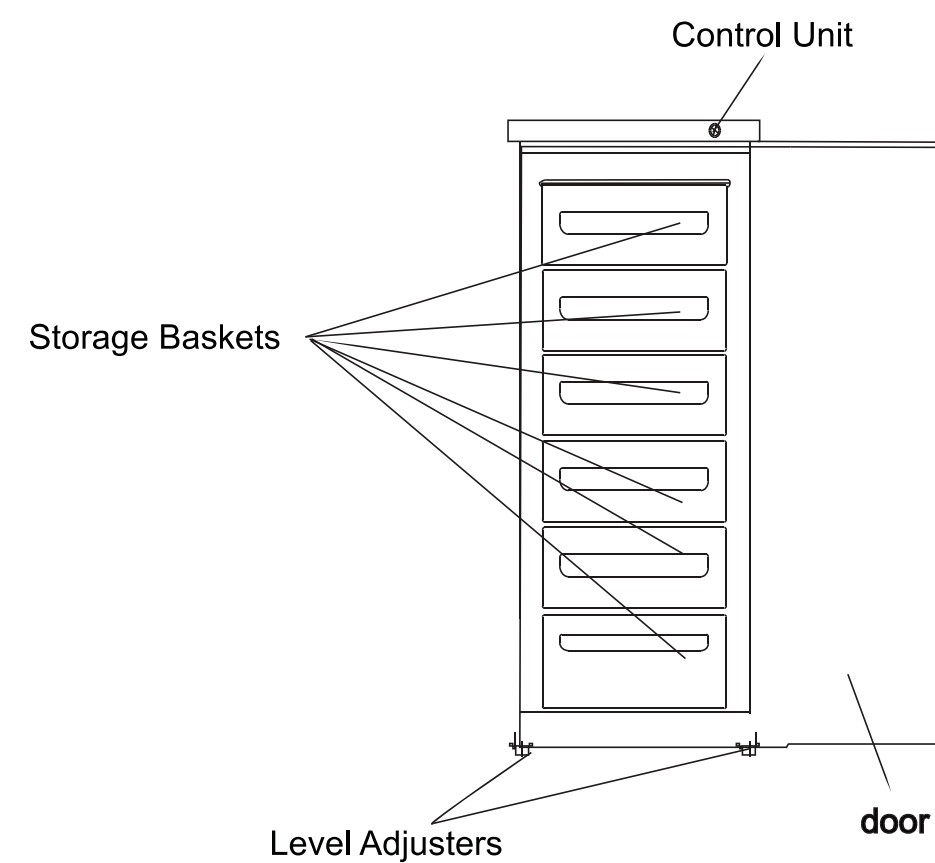
**SAFETY PRECAUTIONS**

1. Keep this appliance out of reach from children. Do not let them to operate the appliance without supervision.
2. Check the current rating on the rating plate and make sure the current supplied is matched with the appliance before using.
3. This product must be stationed at least 10cm away from the surrounding objects. There should not be anything to be placed on top of the appliance.
4. This product is for household and indoor use only.
5. This product is not intended for use by person (including children) with reduced physical, sensory or mental capabilities unless they have been given supervision or instruction concerning use of the appliance by a person responsible for their safety.
6. If the power cord or plug is damaged, it must be replaced by the service centre or a qualified service technician to avoid hazard.
7. This product should not be placed near possible heating resources or under direct sunlight to avoid decreasing the efficiency of refrigeration.
8. This product should be placed in a cool dry place where there is no vicinity of water splashing or high humidity.

**WARNING** - to reduce the risk of fire, electrical shock or injury to persons or property, please read and follow below instructions carefully:

- Always operate the product from a power source of the same voltage, frequency and rating as indicated on the product identification marking.
- Do not operate this product if it has malfunctioned, damaged cord or plug or appears damaged in any way. Return the complete product to the place of purchase for inspection, repair or replacement.
- This product should not be used in the immediate vicinity of water, such as bathtub, washbowls, swimming pool etc. where the likelihood of splashing could occur.
- Always switch off and unplug the plug from outlet when not in use and before cleaning.
- When the appliance is operating, the condenser and compressor will be hot.
- This appliance must be grounded and the ground wire should not be connected to any heating pipe and gas pipe.
- Do not place carbonated or fizzy drinks into the freezer.
- Do not attempt to touch the freezer when your hand is damp or wet as this could cause skin abrasions or frost burns.
- This appliance is designed to operate in ambient temperatures (surrounding air temperature) between 16°C and 32°C.
- This appliance will create frost in the freezer compartment if the environment has high humidity or the freezer door is opened frequently.

**PRODUCT DESCRIPTION**



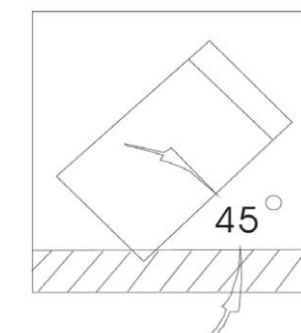
**ENERGY SAVING TIPS**

1. Do not place warm food into the appliance. Allow warm food to cool down first.
2. Do not install the appliance near cookers, radiators, or other sources of warmth.
3. High ambient temperature will cause the compressor to operate more frequent.
4. Make sure the side plates and back plates are with certain distance from the wall. It is strongly recommended that the back of the appliance is at least 10cm away from the wall.
5. When the compressor is operating please do not open the door too often or leave the door open any longer than necessary.
6. Do not set the temperature to any colder than necessary.
7. Store the food logically, do not try to overload or exceed the loading limit.

**INSTALLATION**

1. This appliance is heavy. Care should be taken when moving it.
2. When you transport the appliance, the angle between the compartment body and the ground should not be less than 45°.

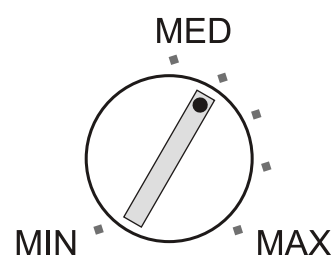
**WARNING: Never put the appliance upside down.**



3. Once the appliance has landed properly on a flat and stable surface, remove all the packing material including any plastic packaging material in the appliance.
4. The back of the appliance should be close to a wall but leaving the required distance for ventilation.
5. Wash the inside of the appliance with lukewarm water with a little bicarbonate of soda added (5ml to 0.5 litre of water). Do not use soap, detergent or any abrasive cleaner to wash. Dry the appliance thoroughly after cleaning.
6. Idle for 2 hours before connecting the electrical mains to ensure the refrigerant in the compressor has settled well.
7. Make sure the ground is solid and will not vibrate when the appliance is operating.
8. Connect the electrical mains and switch on the power for 4 hours initially without adding any goods.
9. If these temperatures are exceeded i.e., colder or warmer, the appliance will not operate correctly. Should the ambient temperatures be exceeded for long periods, the temperature in the freezer section will rise above -18°C and food spoilage may occur.
10. This appliance has to manually defrost and frosting will occur as normal. It is advisable to defrost the appliance when the ice is at 10mm thick.

## OPERATING THE APPLIANCE

1. The thermostat control situated in the control panel regulates the temperature of the freezer compartment.



Position "Min" - Cold

Position "Med" - Use this setting for normal every day use

Position "Max" - Coldest

**NOTE: Do not leave the appliance to run at position "MAX" for prolonged period as this will damage the compressor or the food inside the freezer.**

2. Regulate the thermostat to "MED" to check on the operation before switching to higher cooling level.  
**NOTE: The optimum cooling level is "MED" (to avoid over cooling and damaged to the compressor).**
3. Check the temperature after 4 hours. If the cooling has reached to acceptable level, you may start using the appliance.
4. The temperature will be affected by:
  - Room temperature
  - How often the door is opened
  - How much food is stored
  - Position of the appliance
5. In determining the correct temperature control setting, all the above factors have to be considered and some experimentation may be required.
6. Always store the hot food after it is completely cold. Never store hot items into the appliance.
7. Always pack the food completely before putting into the freezer to avoid taste mixing and frosting together.
8. If there is an electricity cut-off, please wait 10 minutes before operating the appliance again to avoid damage to the compressor.

## CLEANING AND MAINTENANCE

1. Always ensure that the electrical mains is turned off and unplug before cleaning the appliance.
2. Do not open the door frequently and too long to save energy. Opening the door for prolonged period may cause the freezer unable to perform optimum cooling.
3. Do not use chemical, steel, wooden or abrasive cleaners to clean the appliance.
4. Never use sharp instruments to scrape off frost or ice.
5. After cleaning, wipe the appliance until it is completely dry.
6. Use warm water to clean the oil and stains on the magnetic gasket in order to keep its elasticity.
7. This product should be serviced by an authorised service technician. Please contact the service centre if you required service on the appliance.
8. Under no circumstances should you attempt to repair the appliance by yourself.
9. Repairs carried out by inexperienced persons may cause injury or serious malfunctioning.

## DEFROSTING THE APPLIANCE

1. Getting the air into the freezer may form a layer of frost inside. It will weaken the refrigeration when the frost is thick. When it is more than 10mm thick, you should defrost the freezer.  
**Note: Always defrost in the food storage compartment.**
2. Wrap the food in blankets and keep them in a cool place.
3. Switch the appliance off from the electrical mains and remove the plug.
4. Speed up the defrosting process by putting bowls of hot (not boiling) water in the freezer.
5. The fridge should be defrosted at least once every one month.
6. If the freezer door was opened frequently or using the appliance in high humidity area, we advise the user to defrost once every two weeks.
7. This appliance should not be left unused for a long period. To stop using the appliance, disconnect the main power. Clean the interior and dry it completely. Open the door for 2-3 days to ensure it is dry completely.

## TROUBLESHOOTING

Failure	Failure Reason	Possible Solution
Appliance does not cool	The power is off	Turn on the power
	The plug is not plugged in	Plug in and turn on the power
	The fuse on the plug has broken	Change the fuse
Appliance is too warm	The thermostat is set to minimum	Check the thermostat and regulate to normal position
	The door has not closed properly	Make sure the door is closed properly
	The door has opened too frequently	Take all necessary food at once. Do not open too frequently
Loud noise	The base supporting the appliance is too soft	Mount wood at the bottom
	The appliance is inclining, surface not flat	Make sure the product is positioned in a flat surface
	The wheel does not touch the floor well	Adjust the wheel screw
The compressor does not stop	The food is warm and too much food stored	Store the food after cooling or reduce the quantity
	Door is opening too regular	Reduce the frequency to open the door
	Door has not closed properly	Make sure the door is closed properly
	Directly under sunlight or too close to heat resources	Do not install the product under direct sunlight
	The air ventilation is not good	Keep certain space for ventilation

## MAIN SPECIFICATION

Model No	: EUF-J2217(SV)
Net Capacity	: 163L
Gross Capacity	: 220L
Climatic Type	: T
Insulation Class	: CLASS I
Rated Voltage	: 220-240V / 50Hz
Rated Current	: 0.95A
Refrigerant	: R600a (65g)

### NOTICE

This product must not be disposed together with domestic waste. It has to be disposed at an authorized place for recycling of electrical and electronic appliances. By collecting and recycling waste, you help to save natural resources and make sure the product is disposed in an environmental friendly and healthy way.



# ELBA