

# ELBA

## FRENCH DOOR REFRIGERATOR MODEL: ER-M5342FD(SV)

### **Owner's Manual**

Please read this manual carefully before operating your set.

Retain it for future reference.

Record model number and serial number of the set.

See the label attached on the set and quote this information to your dealer when you require service.

**For The Warranty Terms & Conditions, Please Refer To Warranty Certificate**

# CONTENTS

<b>1. SAFETY PRECAUTIONS.....</b>	<b>2-3</b>
<b>2. INSTALLATION.....</b>	<b>4-5</b>
<b>3. PRODUCT DESCRIPTION.....</b>	<b>6</b>
3.1 OVERVIEW.....	6
3.2 CONTROL PANEL.....	7-9
3.2 OPERATING.....	7-9
3.4 COMPARTMENT.....	9
3.5 DOOR ALARM.....	10
<b>4. DAILY TIPS.....</b>	<b>10</b>
4.1 FREEZING FRESH FOOD.....	10
4.2 RECOMMENDATIONS FOR PRESERVATION OF FROZEN FOOD.....	10
4.3 DEFROSTING.....	11
<b>5. CLEANING AND MAINTENANCE.....</b>	<b>11</b>
<b>6. TROUBLESHOOTING.....</b>	<b>12</b>
<b>7. ENERGY SAVING TIPS.....</b>	<b>13</b>
<b>8. MAIN SPECIFICATION.....</b>	<b>13</b>

REMOVE ALL PACKING MATERIALS FROM THIS APPLIANCE BEFORE USING IT. THIS APPLIANCE MUST BE INSTALLED ON A FLAT SURFACE. PLEASE ENSURE THE ELECTRICITY SUPPLY TO THIS APPLIANCE IS DISCONNECTED BEFORE INSTALLING.

Please read this instruction carefully. It is advisable to keep this instruction manual in a safe place for future reference.

## 1. SAFETY PRECAUTIONS

1. Keep this appliance out of reach from children. Do not let them to operate the appliance without supervision.
2. Check the current rating on the rating plate and make sure the current supplied is matched with the appliance before using.
3. This appliance must be stationed at least 10cm away from the surrounding objects. There should not be anything to be placed on top of the appliance.
4. This appliance is for household and indoor use only.
5. This appliance is not intended for use by person (including children) with reduced physical, sensory or mental capabilities unless they have been given supervision or instruction concerning use of the appliance by a person responsible for their safety.
6. If the power cord or plug is damaged, it must be replaced by the service centre or a qualified service technician to avoid hazard.
7. This appliance should not be placed near possible heating resources or under direct sunlight to avoid decreasing the efficiency of refrigeration.
8. This appliance should be placed in a cool dry place where there is no vicinity of water splashing or high humidity.

**WARNING** - to reduce the risk of fire, electrical shock or injury to persons or property, please read and follow below instructions carefully:

- Always operate the appliance from a power source of the same voltage, frequency and rating as indicated on the appliance identification marking.
- Do not operate this appliance if it has malfunctioned, damaged cord or plug or appears damaged in any way. Return the complete product to the place of purchase for inspection, repair or replacement.
- This appliance should not be used in the immediate vicinity of water, such as bathtub, washbowls, swimming pool etc. where the likelihood of splashing could occur.
- Always switch off and unplug the plug from outlet when not in use and before cleaning.
- When the appliance is operating, the condenser and compressor will be hot.
- This appliance must be grounded and the ground wire should not be connected to any heating pipe and gas pipe.
- Do not place carbonated or fizzy drinks into the freezer.
- Do not attempt to touch the freezer when your hand is damp or wet as this could cause skin abrasions or frost burns.
- This appliance is designed to operate in ambient temperatures (surrounding air temperature) between 16°C and 32°C.
- This appliance will create frost in the freezer compartment if the environment has high humidity or the appliance door is opened frequently.

## Safety Warning Symbols



Prohibition symbol

### Prohibition Symbol

Any in compliance with instructions marked with this symbol may result in damage to the product or endanger the personal safety of the user.



Warning symbol

### Warning Symbol

It is required to operate in strict observance of instructions marked with this symbol; or otherwise, damage to the product or personal injury may be caused.



Note symbol

### Caution Symbol

Instructions marked with this symbol require special caution. Insufficient caution may result in slight or moderate injury, or damage to the product.

Note: This manual contains lots of important safety information which shall be observed by the users.

## Warnings For Disposal



Refrigerant and cyclopentane foaming material used for the refrigerator are flammable. Therefore, when the refrigerator is scrapped, it shall be kept away from any fire source and be recovered by a special recovering company with corresponding qualification other than be disposed by combustion, so as to prevent damage to the environment or any other harm.



When the refrigerator is scrapped, disassemble the doors, and remove gasket of door and shelves; put the doors and shelves in a proper place, so as to prevent trapping of any child.



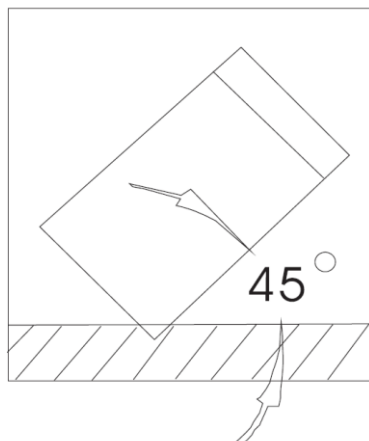
Correct Disposal of this product:

This marking indicates that this product should not be disposed with other household wastes. To prevent possible harm to the environment or human health from uncontrolled waste disposal, recycle it responsibly to promote the sustainable reuse of material resources. To return your used device, please use the return and collection systems or contact the retailer where the product was purchased. They can take this product for environmentally safe recycling.

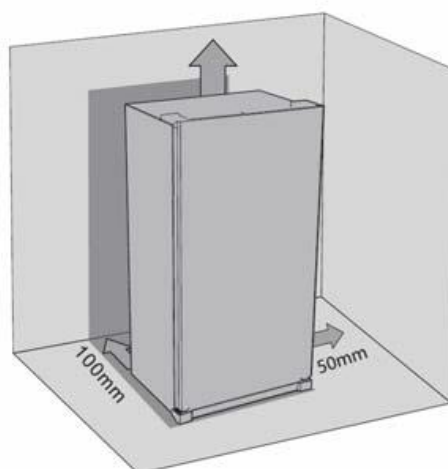
## 2. INSTALLATION

1. This appliance is heavy. Care should be taken when moving it.
2. When you transport the appliance, the angle between the compartment body and the ground should not be less than 45°.

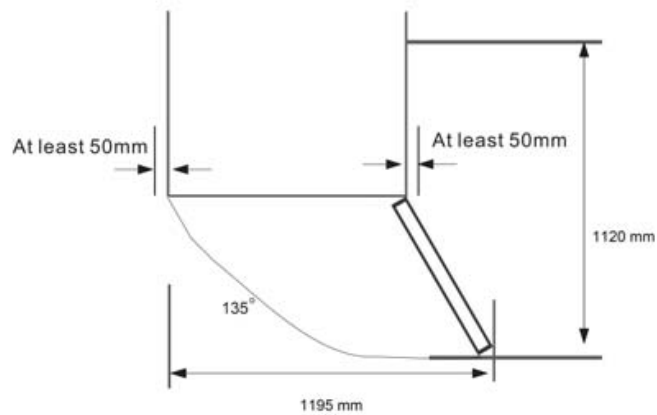
**WARNING: *Never put the appliance upside down.***



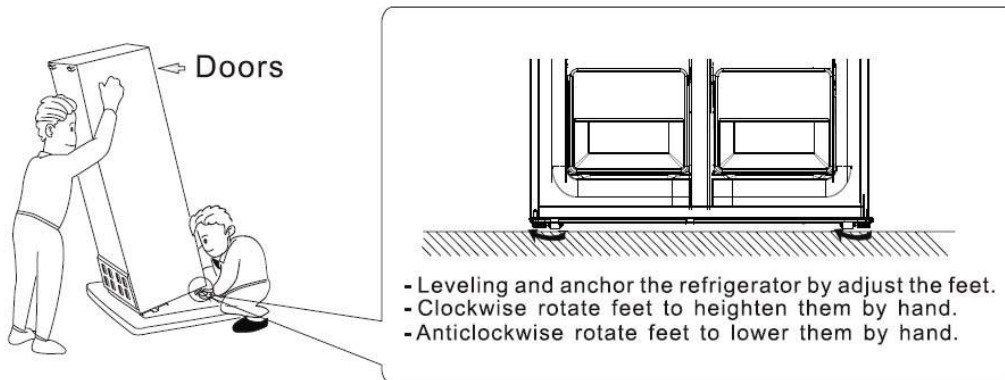
3. Once the appliance has landed properly on a flat and stable surface, remove all the packing material including any plastic packaging material in the appliance.
4. Keep your refrigerator away from heat sources, humid places and direct sunlight. Please avoid your refrigerator away from heat sources such as hobs, ovens, central heater and stoves.
5. There must be appropriate air ventilation around your refrigerator in order to achieve an efficient operation. The back of the appliance should be keep at least 100mm distance to a wall for ventilation purpose. Do not place your product on the materials such as rug or carpet.



6. Allow the side of the appliance keep at least 50mm distance when installing and allow the door be open 130°.



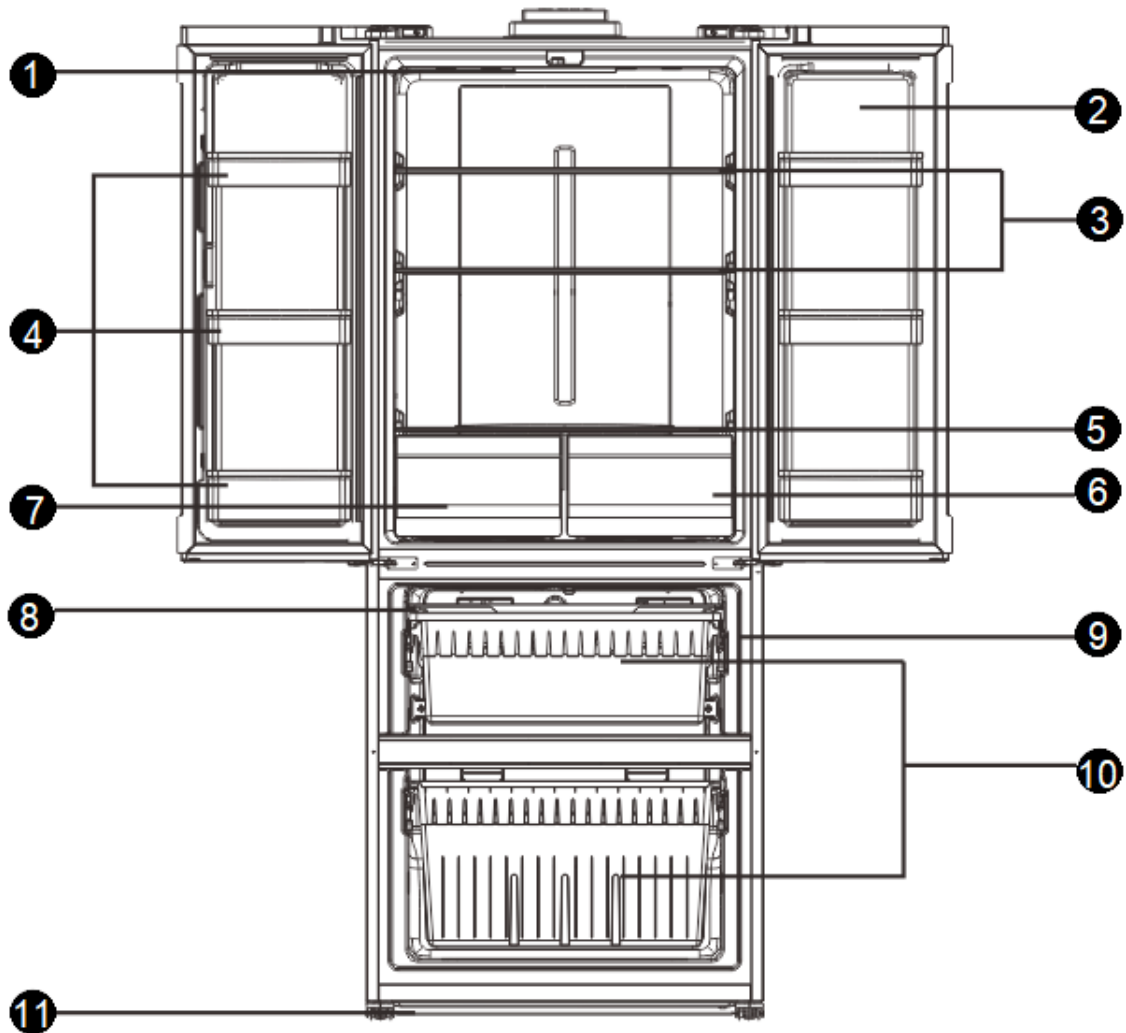
7. Please make sure the appliance levelling feet according to the installation condition, please adjust the feet to the suitable level. If the appliance not level, the doors and magnetic seal alignments will not be covered properly.



8. Wash the inside of the appliance with lukewarm water with a little bicarbonate of soda added (5ml to 0.5 litre of water). Do not use soap, detergent or any abrasive cleaner to wash. Dry the appliance thoroughly after cleaning.
9. Open the fridge door for ventilation of internal compartments. Idle for 4 hours before connecting the electrical mains to ensure the refrigerant in the compressor has settled well.
10. Connect the electrical mains and switch on the power for 4 hours initially before adding any goods. Make sure the ground is solid and will not vibrate when the appliance is operating.
11. If these temperatures are exceeded i.e., colder or warmer, the appliance will not operate correctly. Should the ambient temperatures be exceeded for long periods, the temperature in the freezer section will rise above  $\leq -18^{\circ}\text{C}$  and food spoilage may occur.

### 3. PRODUCT DESCRIPTION

#### 3.1 Overview



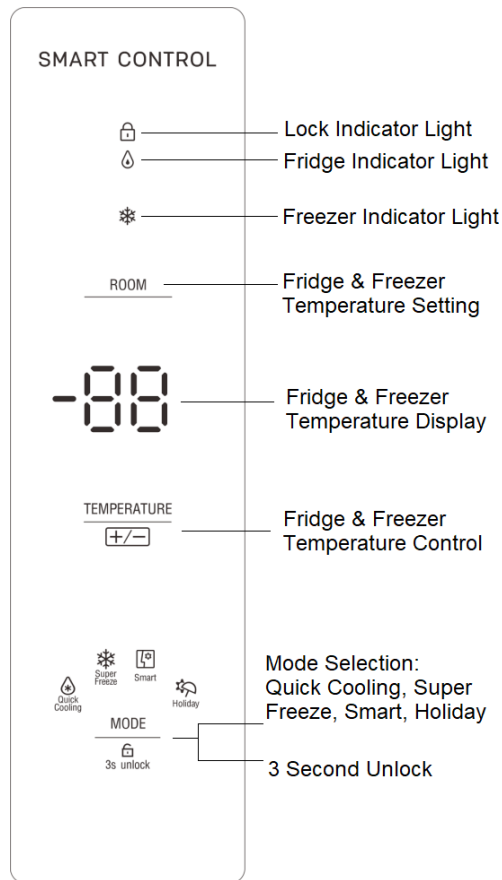
- 1. LED Light
- 2. Fridge Door
- 3. Tempered glass shelves
- 4. Fridge Balcony/Rack
- 5. Crisper Cover
- 6. Crisper
- 7. Electronic Humidity Control & Fresh Room
- 8. Multi-functional Pallet
- 9. Metal Drawer Slides
- 10. Freezer Compartment Drawer
- 11. Level feet

\* The above image is for reference purpose only. The actual appliance maybe slightly different.

## 3.2 Control Panel

### 3.2.1 Button & Display

Use your appliance according to the following control regulations, your appliance has the corresponding functions as the control panels showed in the pictures below.



## 3.3 Operating the Control Panel

### 3.3.1 Unlock Control Panel

Touch and hold "Mode" button for 3 seconds to unlock control panel for setting.

\* The system will automatically lock after 20 seconds from the last key operation. The lock indicator light will be out at 15 seconds after the fridge door is closed.

- Touch the "ROOM" button to select between Fridge or Freezer compartment for temperature setting. The Fridge and Freezer indicator light will flash for your selection.
- Touch the "TEMPERATURE +/- " button to set the temperature for Fridge or Freezer compartment, the temperature display will increase and cycle by touching the panel. If there is no operation for more than 5 seconds, the default will be confirmed, then the settings take effect.

### 3.3.2 Temperature Control of Fridge Compartment

The Fridge control panel situated in the appliance regulates the temperature setting. The internal temperature is controlled by a control panel. Temperature setting can choose from 2°C, 3°C, 4°C, 5°C, 6°C, 7°C, 8°C and "OFF" according to each temperature setting by touching the panel. The appliance will be turn off completely if select to "OFF". The selected temperature will be set once the display temperature flash for 5 seconds.



### 3.3.3 Temperature Control of Freezer Compartment

The Freezer control panel situated in the appliance regulates the temperature setting. The internal temperature is controlled by a control panel. Temperature setting can choose from -15°C to -25°C according to each temperature setting by touching the panel. The selected temperature will be set once the display temperature flash for 5 seconds.

### 3.3.4 Turn Off the Fridge Compartment

Select the temperature control of fridge compartment by select the "OFF" setting. The display temperature flash for 5 seconds and the appliance will completely turn off.

### 3.3.5 Mode

Touch "Mode" button one time to enter the specific mode program. The "Mode" indicator light will flash. Then the sequence of the mode is start from "Quick Cooling Mode", "Super Freeze Mode", "Smart Mode" to "Holiday Mode". The selected mode will be set once the selected mode flash for 5 seconds.

#### - QUICK COOLING

Touch "MODE" to select Quick Cooling mode program. When the mode is selected, the Quick Cooling mode icon will flash for 5 seconds and the selected mode has been set. System will automatically turn the fridge temperature to 2°C and freezer temperature to -18°C.

Touch "MODE" button again or change any temperature to exit Quick Cooling mode.

#### - SUPER FREEZE

Touch "MODE" to select Super Freeze mode program. When the mode is selected, the Super Freeze mode icon will flash for 5 seconds and the selected mode has been set. System will automatically turn the freezer temperature to -25°C and fridge temperature remain unchanged. The compressor will keep on working so that the temperate will achieve the desire temperate. The freezing duration is more than 48 hours.

Touch "MODE" button again or change any temperature to exit Super Freezing mode.

\* To ensure the lifespan of the compressor, it is necessary to exit the super freezing mode after 48 hours.

#### - SMART

Touch "MODE" to select Smart mode program. When the mode is selected, the Smart mode icon will flash for 5 seconds and the selected mode has been set. System will automatically turn the fridge temperature to 5°C and freezer temperature to -18°C. Then the refrigerator will adjust the fridge and freezer temperature automatically according to the ambient temperature.

Touch "MODE" button again or change any temperature to exit Smart mode.

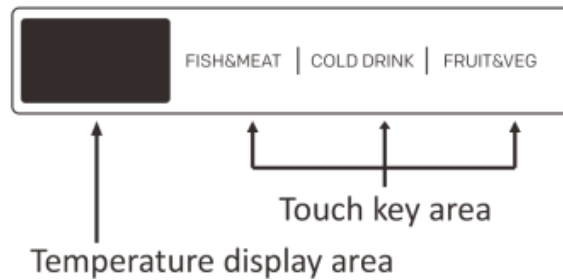
#### - Holiday Mode

Touch "MODE" to select Holiday mode program. When the mode is selected, the Holiday mode icon will flash for 5 seconds and the selected mode has been set. System will automatically turn the fridge temperature to 8°C and freezer temperature to -18°C. This is an ideal mode for selection during your holiday, the fridge and freezer compartment will automatically match the appropriate temperature in this mode.

Touch "Mode" button again or change any temperature to exit Holiday mode.

### 3.3.6 Electronic Humidity Control of Fridge Fresh Room

(This function specifies a specific model, the specific object prevail.)



#### - FISH & MEAT

Touch “Fish & Meat” to select humidity program. When the program is selected, system will automatically turn the fresh room temperature to -4°C. Then you can place various frozen food such as fish, meat, prawn, ice cream and etc.

#### - COLD DRINK

Touch “COLD DRINK” to select humidity program. When the program is selected, system will automatically turn the fresh room temperature to 0°C.

#### - FRUIT & VEG

Touch “Fruit & Veg” to select humidity program. When the program is selected, system will automatically turn the fresh room temperature to 4°C. This is a moist fresh zone designed specially to keep the vegetables fresh without losing their humidity and maintain the freshness. For this purpose, cool air circulation is intensified around the moist fresh zone in general. This compartment is the coolest place in the fridge to store the fruits and vegetables.

### 3.4 Other Compartment

The below chart is the suggested foods to be stored in each compartment.

Compartment	Suggested Foods to place
Freezer Drawer	Various frozen food such as fish, meat, prawn, ice cream and etc.
Fridge Balcony / Rack	Small and packaged food or drinks (Such as milk, fruit juice, jam and etc.)
Fridge Compartment Shelves	Food in pans, covered plates and closed containers
Egg Tray	Egg
Fresh Zone	Dairy products (cheese, butter and etc.) Meat / Vegetables and Fruits

### **3.5 Door Open Alarm Detector**

- When the refrigerator door is open or not closed completely for 120 seconds, the door alarm detector will be arisen with alarm sound and the temperature display panel will flash with “DR” until the door is closed.
- If the refrigerator is open for more than 10 minutes without closing, the internal LED light would be turned off automatically.

## **4. DAILY TIPS**

### **4.1 Freezing fresh food**

- It is recommended to wrap or cover the food before placing them in the refrigerator.
- Hot food must cool down to the room temperature before putting them in the refrigerator.
- The food that you want to freeze must be fresh and in good quality.
- Food must be divided into portions according to the family’ s daily or meal based consumption needs.
- The food must be packaged in an airtight manner to prevent them from drying even if they are going to be kept for a short time.
- To minimize moisture loss, fruit and vegetables should be loosely enclosed in a plastic material. Example: wrap or bags without sealing and place in the moist fresh zone.
- Please observe the following instructions to obtain the best results:
  1. Do not freeze too large quantities of food at one time. The quality of the food is best preserved when it is frozen right through to the core as quickly as possible.
  2. Placing warm food into the freezer compartment causes the cooling system to operate continuously until the food is frozen solid.
  3. Do not block the outlet and inlet of the cool air circulating, otherwise the foods will not be evenly cooled throughout the refrigerator.
  4. Take special care not to mix already frozen food and fresh food.
  5. Keep the door securely closed.

### **4.2 Recommendations for preservation of frozen food**

- Frozen food must be used immediately after they are thawed and they should never be re-frozen.
- To ensure that the high quality achieved by the frozen food manufacturer and the food retailer is maintained, the following should be remembered:
  1. Put packages in the freezer as quickly as possible after purchase.
  2. Ensure that contents are labelled and dated.
  3. Do not exceed "Best Before", "Use By" dates on the product packaging date.

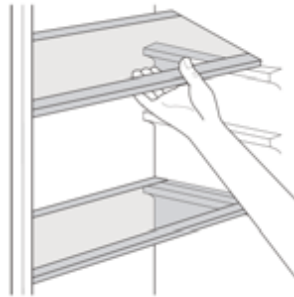
### 4.3 Defrosting

- The freezer compartment defrosts automatically

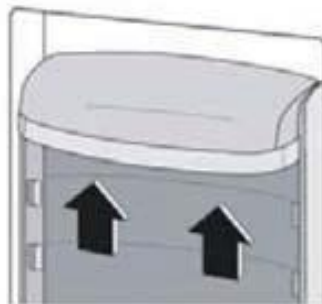
**NOTE:** If there is an electricity cut-off, please wait 10 minutes before operating the appliance again to avoid damage to the compressor.

## 5. CLEANING AND MAINTENANCE

1. Always ensure that the electrical main is turned off and unplugged before cleaning the appliance.
2. Remove the tempered glass shelf by lifting up and pull out slowly.



3. Remove each balcony / rack by lifting up and pull out slowly.



4. Wrap the food and keep them in a cool place.
5. Do not use chemical, steel, wooden or abrasive cleaners to clean the appliance.
6. Never use sharp instruments to scrape off frost or ice.
7. After cleaning, wipe the appliance until it is completely dry.
8. Use warm water to clean the oil and stains on the gasket in order to keep its elasticity.
9. This appliance should be serviced by an authorised service technician. Please contact the service centre if you required service on the appliance.
10. Under no circumstances should you attempt to repair the appliance by yourself.
11. Repairs carried out by inexperienced persons may cause injury or serious malfunctioning.

## 6. TROUBLESHOOTING

### 6.1 Failure & Solution

Failure	Failure Reason	Possible Solution
Appliance Does Not Work	The plug is not plugged or is loose.	Plug in and turn on the power.
	The fuse on the plug has blown.	Change the fuse.
Appliance Freezes or Too Cold	Temperature is set too cold.	Turn the temperature regulator to a warmer setting.
The Food Is Not Frozen Enough	Temperature is not properly set.	Please refer to control panel page to set the correct temperature.
	Door is opening too regular.	Reduce the frequency to open the door.
	Large quantity of warm food was placed in the fridge within last 4 hours.	Turn the temperature to a colder setting for a temporary cool down.
	Directly under sunlight or too close to heat resources.	Do not install the appliance under direct sunlight.
Heavy Build-up of Frost on The Door Seal	Door seal is not tight.	Please contact technician to replace a new door seal if necessary.
Unusual Noises	Appliance is not level.	Readjust the feet.

### 6.2 Error Code Display

Fault display shows as following under Fault mode:

ERROR CODE	ERROR TYPE
UC	Communication failure or model mismatch
RS	Sensor failure (refrigerating chamber)
CS	Sensor failure (Drinks box)
FS	Sensor failure (freezing chamber)
FD	Defrosting sensor failure
FF	Fan failure
ES	Failure of ambient temperature sensor
FH	Defrosting failure

## 7. ENERGY SAVING TIPS

1. Do not place warm food into the appliance. Allow warm food to cool down first.
2. Do not install the appliance near cookers, radiators, or other sources of warmth.
3. High ambient temperature will cause the compressor to operate more frequent.
4. Make sure the side plates and back plates are with certain distance from the wall. It is strongly recommended that the back of the appliance is at least 10cm away from the wall.
5. When the compressor is operating, please do not open the door too often or leave the door open any longer than necessary.
6. Do not set the temperature to any colder than necessary.
7. Store the food logically, do not try to overload or exceed the loading limit.

## 8. MAIN SPECIFICATION

Model No	: ER-M5342FD(SV)
Gross Capacity	: 530L
Climatic Type	: T
Insulation Class	: CLASS I
Total Input Power	: 240W
Rated Power of Lamp	: 1.5W
Rated Voltage	: 220-240V / 50Hz
Rated Current	: 1.8A
Refrigerant	: R600a (72g)
Product Dimension (mm):	753 (W) x 678 (D) x 1846 (H)

### NOTICE

This appliance must not be disposed together with domestic waste. It has to be disposed at an authorized place for recycling of electrical and electronic appliances. By collecting and recycling waste, you help to save natural resources and make sure the appliance is disposed in an environmental friendly and healthy way.



**ELBA**