



ELBA

SINGLE DOOR REFRIGERATOR
MODEL: ER-C1815(SV)

Owner's Manual

Please read this manual carefully before operating your set.

Retain it for future reference.

Record model number and serial number of the set.

See the label attached on the set and quote this information to your dealer when you require service.

For The Warranty Terms & Conditions, Please Refer To Warranty Certificate

REMOVE ALL PACKING MATERIALS FROM THIS APPLIANCE BEFORE USING IT. THIS APPLIANCE MUST BE INSTALLED ON A FLAT SURFACE. PLEASE ENSURE THE ELECTRICITY SUPPLY TO THIS APPLIANCE IS DISCONNECTED BEFORE INSTALLING.

Please read this instruction carefully. It is advisable to keep this instruction manual in a safe place for future reference.

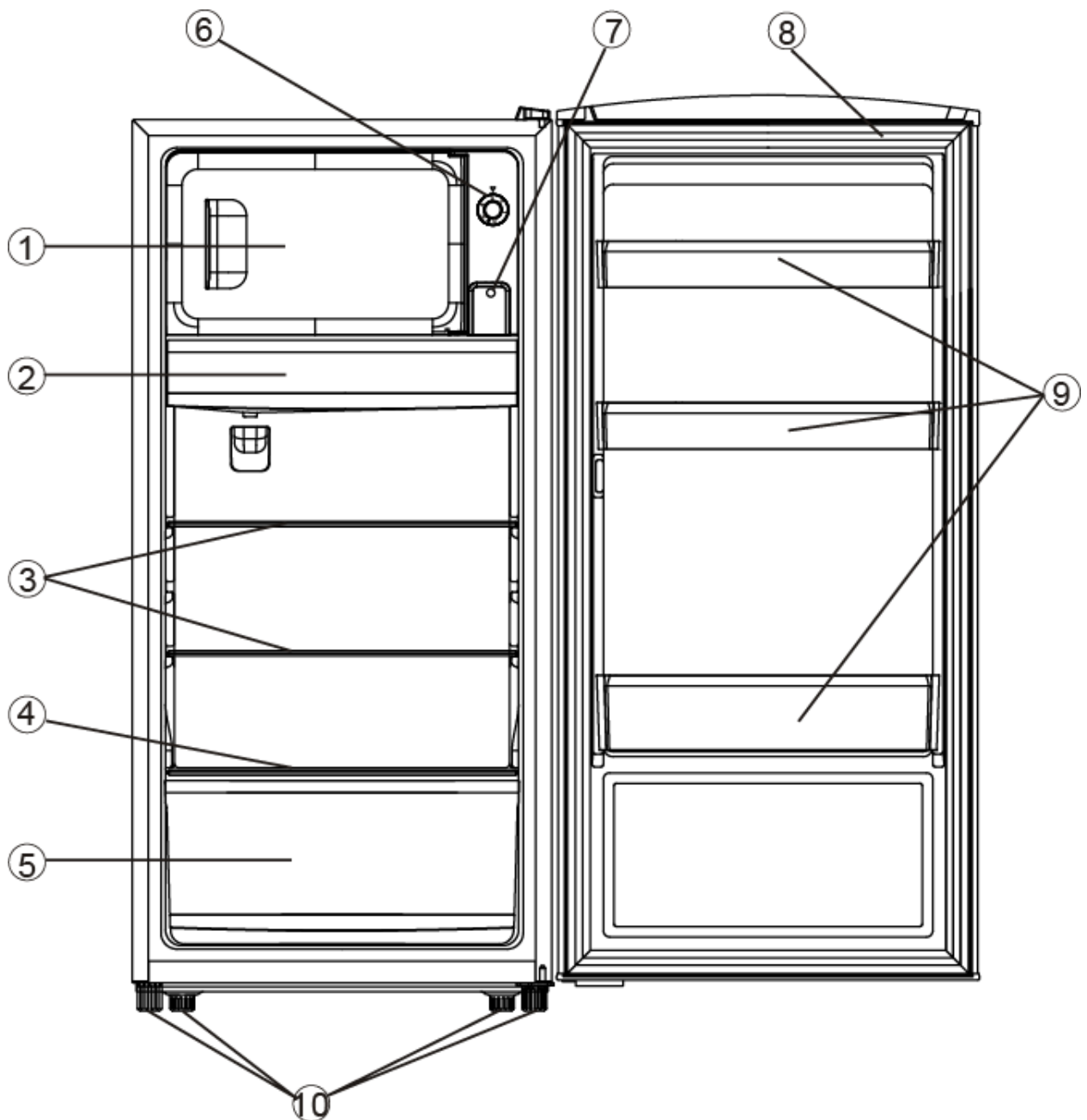
SAFETY PRECAUTIONS

1. Keep this appliance out of reach from children. Do not let them to operate the appliance without supervision.
2. Check the current rating on the rating plate and make sure the current supplied is matched with the appliance before using.
3. This appliance must be stationed at least 10cm away from the surrounding objects. There should not be anything to be placed on top of the appliance.
4. This appliance is for household and indoor use only.
5. This appliance is not intended for use by person (including children) with reduced physical, sensory or mental capabilities unless they have been given supervision or instruction concerning use of the appliance by a person responsible for their safety.
6. If the power cord or plug is damaged, it must be replaced by the service centre or a qualified service technician to avoid hazard.
7. This appliance should not be placed near possible heating resources or under direct sunlight to avoid decreasing the efficiency of refrigeration.
8. This appliance should be placed in a cool dry place where there is no vicinity of water splashing or high humidity.

WARNING - to reduce the risk of fire, electrical shock or injury to persons or property, please read and follow below instructions carefully:

- Always operate the appliance from a power source of the same voltage, frequency and rating as indicated on the appliance identification marking.
- Do not operate this appliance if it has malfunctioned, damaged cord or plug or appears damaged in any way. Return the complete product to the place of purchase for inspection, repair or replacement.
- This appliance should not be used in the immediate vicinity of water, such as bathtub, washbowls, swimming pool etc. where the likelihood of splashing could occur.
- Always switch off and unplug the plug from outlet when not in use and before cleaning.
- When the appliance is operating, the condenser and compressor will be hot.
- This appliance must be grounded and the ground wire should not be connected to any heating pipe and gas pipe.
- Do not place carbonated or fizzy drinks into the freezer.
- Do not attempt to touch the freezer when your hand is damp or wet as this could cause skin abrasions or frost burns.
- This appliance is designed to operate in ambient temperatures (surrounding air temperature) between 16°C and 32°C.
- This appliance will create frost in the freezer compartment if the environment has high humidity or the appliance door is opened frequently.

PRODUCT DESCRIPTION

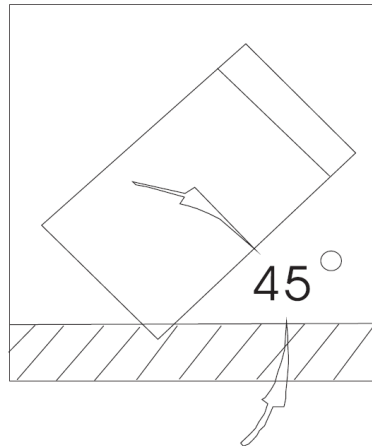


1. Evaporator door
2. Drain pan
3. Tempered glass shelves
4. Crisper cover
5. Crisper
6. Defrost controller
7. Lamp cover
8. Door gasket
9. Side racks
10. Level feet

INSTALLATION

1. This appliance is heavy. Care should be taken when moving it.
2. When you transport the appliance, the angle between the compartment body and the ground should not be less than 45°.

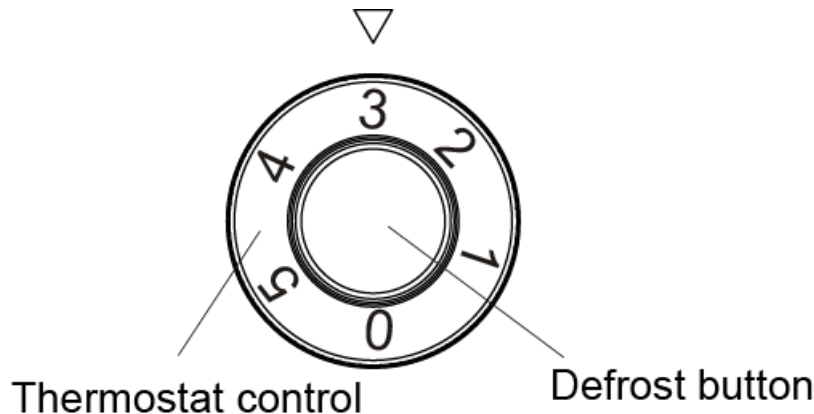
WARNING: ***Never put the appliance upside down.***



3. Once the appliance has landed properly on a flat and stable surface, remove all the packing material including any plastic packaging material in the appliance.
4. The back of the appliance should be close to a wall but leaving the required distance for ventilation.
5. Wash the inside of the appliance with lukewarm water with a little bicarbonate of soda added (5ml to 0.5 litre of water). Do not use soap, detergent or any abrasive cleaner to wash. Dry the appliance thoroughly after cleaning.
6. Open the fridge door for ventilation of internal compartments. Idle for 4 hours before connecting the electrical mains to ensure the refrigerant in the compressor has settled well.
7. Connect the electrical mains and switch on the power for 4 hours initially before adding any goods. Make sure the ground is solid and will not vibrate when the appliance is operating.
8. If these temperatures are exceeded i.e., colder or warmer, the appliance will not operate correctly. Should the ambient temperatures be exceeded for long periods, the temperature in the freezer section will rise above -18°C and food spoilage may occur.
9. This appliance has to manually defrost and frosting will occur as normal. It is advisable to manually defrost the appliance when the frosting is at 5mm thick.

OPERATING THE APPLIANCE

1. The thermostat control situated in the appliance regulates the temperature.



Position “0” – OFF

Position “1-5” – 1 is the warmest setting and 5 is coldest setting.

NOTE: Do not leave the appliance to run at position “5” for prolonged period as this will damage the compressor and the food inside the freezer.

2. Regulate the thermostat to “3” to check on the operation before switching to higher cooling level.
NOTE: The optimum cooling level is position “THREE or FOUR” (to avoid over cooling and damaged to the compressor).
3. Check the temperature after 4 hours. If the cooling has reached to acceptable level, you may start using the appliance.
4. The temperature will be affected by:
 - Room temperature;
 - How often the door is opened; and
 - How much food is stored
5. In determining the correct temperature control setting, all the above factors have to be considered and some experimentation may be required.
6. Always store the hot food after it is completely cold. Never store hot items into the appliance.
7. Always pack the food completely before putting into the appliance to avoid taste mixing and frosting together.
8. If there is an electricity cut-off, please wait 10 minutes before operating the appliance again to avoid damage to the compressor.

DEFROSTING THE APPLIANCE

1. Getting the air into the appliance may form a layer of frost inside. It will weaken the refrigeration when the frost is thick. When it is more than 5mm thick, you should defrost the appliance.
2. Wrap the food and keep them in a cool place.
3. Press the defrost button for an immediate cut off of the cooling system. Water from the melting ice will be contained in the drain pan. When the defrosting process has completed, the cooling system will automatically restart.
4. The water from defrosting process will flow into the drain pan at the rear of the appliance and will automatically evaporate overtime.
5. Speed up the defrosting process by putting bowls of hot (not boiling) water in the appliance.
6. The appliance should be defrosted once every one month depending on the usage.
7. If the appliance door was opened frequently or using the appliance in high humidity area, we advise the user to defrost once every two weeks.
8. This appliance should not be left unused for a long period. To stop using the appliance, disconnect the main power. Clean the interior and dry it completely. Open the door for 2-3 days to ensure it is dry completely.

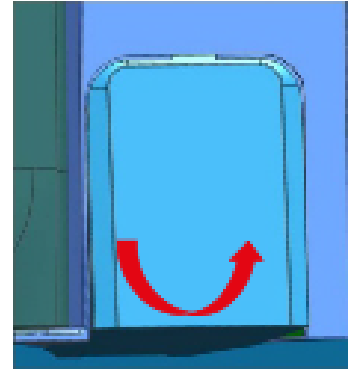
ENERGY SAVING TIPS

1. Do not place warm food into the appliance. Allow warm food to cool down first.
2. Do not install the appliance near cookers, radiators, or other sources of warmth.
3. High ambient temperature will cause the compressor to operate more frequent.
4. Make sure the side plates and back plates are with certain distance from the wall. It is strongly recommended that the back of the appliance is at least 10cm away from the wall.
5. When the compressor is operating please do not open the door too often or leave the door open any longer than necessary.
6. Do not set the temperature to any colder than necessary.
7. Store the food logically, do not try to overload or exceed the loading limit.

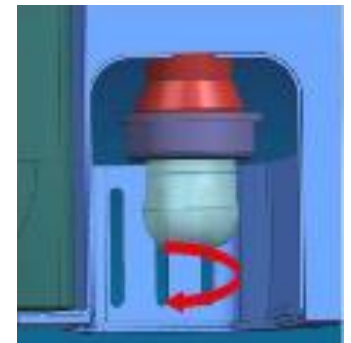
REPLACEMENT OF INTERIOR LAMP

WARNING: BEFORE CARRYING OUT THE REPLACEMENT, MAKE SURE THE PLUG IS SWITCHED OFF AND UNPLUGGED FROM THE ELECTRICAL MAINS.

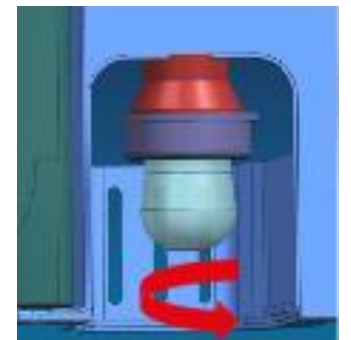
1. Remove the lamp cover.



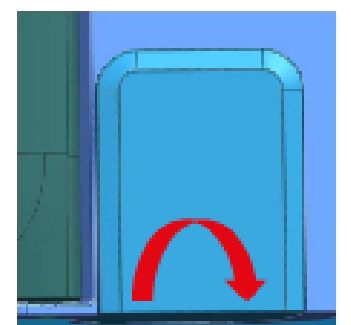
2. Wearing a protective glove and remove the lamp by turning it counter-clockwise.



3. Replace with a new bulb by turning it clockwise.



4. Reassembly and fixing the lamp cover.



CLEANING AND MAINTENANCE

1. Always ensure that the electrical main is turned off and unplug before cleaning the appliance.
2. Wrap the food and keep them in a cool place.
3. Do not use chemical, steel, wooden or abrasive cleaners to clean the appliance.
4. Never use sharp instruments to scrape off frost or ice.
5. After cleaning, wipe the appliance until it is completely dry.
6. Use warm water to clean the oil and stains on the gasket in order to keep its elasticity.
7. This appliance should be serviced by an authorised service technician. Please contact the service centre if you required service on the appliance.
8. Under no circumstances should you attempt to repair the appliance by yourself.
9. Repairs carried out by inexperienced persons may cause injury or serious malfunctioning.

TROUBLESHOOTING

Failure	Failure Reason	Possible Solution
Appliance does not cool	The plug is not plugged.	Plug in and turn on the power.
	Thermostat control is set to 0.	Set the thermostat control to 3.
	The fuse on the plug has blown.	Change the fuse.
Appliance is too warm	The thermostat is set to minimum.	Check the thermostat and regulate to normal position.
	The door has not closed properly.	Make sure the door is closed properly.
	The door has opened too frequently.	Take all necessary food at once. Do not open too frequently.
Loud noise	The appliance is inclining or the surface is not flat.	Make sure the appliance is positioned on a flat surface.
	The wheel does not touch the floor well.	Adjust the wheel screw.
The compressor does not stop	The food is warm or too much food stored.	Store the food after cooling or reduce the quantity.
	Door is opening too regular.	Reduce the frequency to open the door.
	Door has not closed properly.	Make sure the door is closed properly
	Directly under sunlight or too close to heat resources.	Do not install the appliance under direct sunlight.
	The air ventilation is not good.	Keep certain space for ventilation.

MAIN SPECIFICATION

Model No : ER-C1815(SV)
Gross Capacity : 185L
Climatic Type : T
Insulation Class : CLASS I
Total Input Power : 80W
Rated Power of Lamp : 10W
Rated Voltage : 220-240V / 50Hz
Rated Current : 0.5A
Refrigerant : R600a (44g)
Product Dimension (mm): 525 (W) x 515 (D) x 1135 (H)

NOTICE

This appliance must not be disposed together with domestic waste. It has to be disposed at an authorized place for recycling of electrical and electronic appliances. By collecting and recycling waste, you help to save natural resources and make sure the appliance is disposed in an environmental friendly and healthy way.



ELBA