

ELBA



ELBA

MICROWAVE OVEN
MODEL:EMO-F2074(SV)

Owner's Manual

Please read this manual carefully before operating your set.

Retain it for future reference.

Record model number and serial number of the set.

See the label attached on the set and quote this information to your dealer when you require service.

For The Warranty Terms & Conditions, Please Refer To Warranty Certificate.

CONTENT

Precautions to Avoid Possible Exposure to Excessive Microwave Energy.....	2
Important Safeguards.....	2
Part Name.....	3
Control Panel.....	4
Installation of the Microwave Oven.....	5
Grounding Instructions.....	5
Operating the Microwave Oven.....	5
Utensil Guide.....	6
Radio Interference.....	6
Trouble Shooting.....	6
Cleaning and Maintenance.....	7
Technical Specifications.....	7

PRECAUTIONS TO AVOID POSSIBLE EXPOSURE TO EXCESSIVE MICROWAVE ENERGY

Failure to observe the following precautions can result in harmful exposure to microwave energy.

1. Do not attempt to operate this oven with the door open since open-door operation can result in harmful exposure to microwave energy. Do not attempt to tamper with, or make any adjustment or repairs the door, control panel, safety interlocks or any other parts of the oven on your own, it must be repaired or replaced by the authorized service agent or after-sales service centre or a similarly qualified person in order to avoid hazards.

Warning: It is hazardous for anyone other than a trained person to carry out any service or repair operation which involves the removal of any cover which gives protection against exposure to microwave energy.

2. Do not place any object between the oven front face and the door or allow soil or cleaner residue to accumulate on sealing surfaces.
3. Do not operate the oven if it is damaged. It is particularly important that the door of the oven is closed properly and there are no damages to the:
 - Door (dent)
 - Door hinges and latches (broken or loosened)
 - Door seals and sealing surfaces

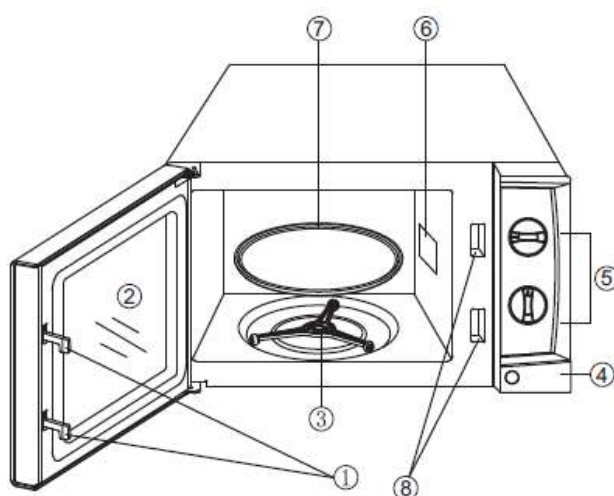
IMPORTANT SAFEGUARDS

When using this appliance, basic precautions should always be followed, including the following:

1. Read all instructions before using the appliance.
2. Do not content the plug with wet hands.
3. Use this appliance only for its intended use as described in the manual. Do not use corrosive chemicals or vapors in this appliance. This type of oven is specifically designed to heat, cook or dry food. It is not designed for industrial or laboratory use.
4. Do not operate the oven when empty.
5. Do not operate this appliance if it has a damaged cord or plug, if it is not working properly, or if it has been damaged or dropped. If the supply cord is damaged, it must be replaced by the authorized after sale service centre or a similarly qualified person in order to avoid a hazard.
6. **WARNING:** Only allow children to use the oven with supervision when adequate instructions have been given so that the child is able to use the oven in a safe way and understands the hazards of improper use.
7. To reduce the risk of fire in the oven cavity:
 - When food is heated or cooked in disposable containers of plastic, paper or other combustible materials, check the oven frequently to the possibility of ignition or deterioration of food container.
 - Remove wire twist-ties from paper or plastic bags before placing bag in oven
 - If smoke is observed, switch off or unplug the appliance and keep the door closed in order to stifle any flames.
 - Do not use the cavity for storage purposes. Do not leave paper products, cooking utensils, or food in the cavity when not in use.
8. **WARNING:** Liquid or other food must not be heated in sealed containers since they are liable to explode.
9. When food is heated or cooked in disposable containers of plastic, paper or other combustible materials, check the oven frequently to the possibility of ignition or deterioration of food container.
10. Microwave heating of beverage can result in delayed eruptive boiling, therefore care has to be taken when handle the container.
11. Do not fry food in the oven. Hot oil can damage oven parts and utensils and even result in skin burns.
12. Eggs in their shell and whole hard-boiled eggs should not be heated in microwave ovens since they may explode even after microwave heating has ended.
13. Pierce foods with heavy skins such as potatoes, whole squashes, apples and chestnuts before cooking.
14. The contents of feeding bottles and baby jars should be stirred or shaken and the temperature should be checked before serving in order to avoid burns.
15. Cooking utensils may become hot because of heat transferred from the heated food. Potholders may be needed to handle the utensil.

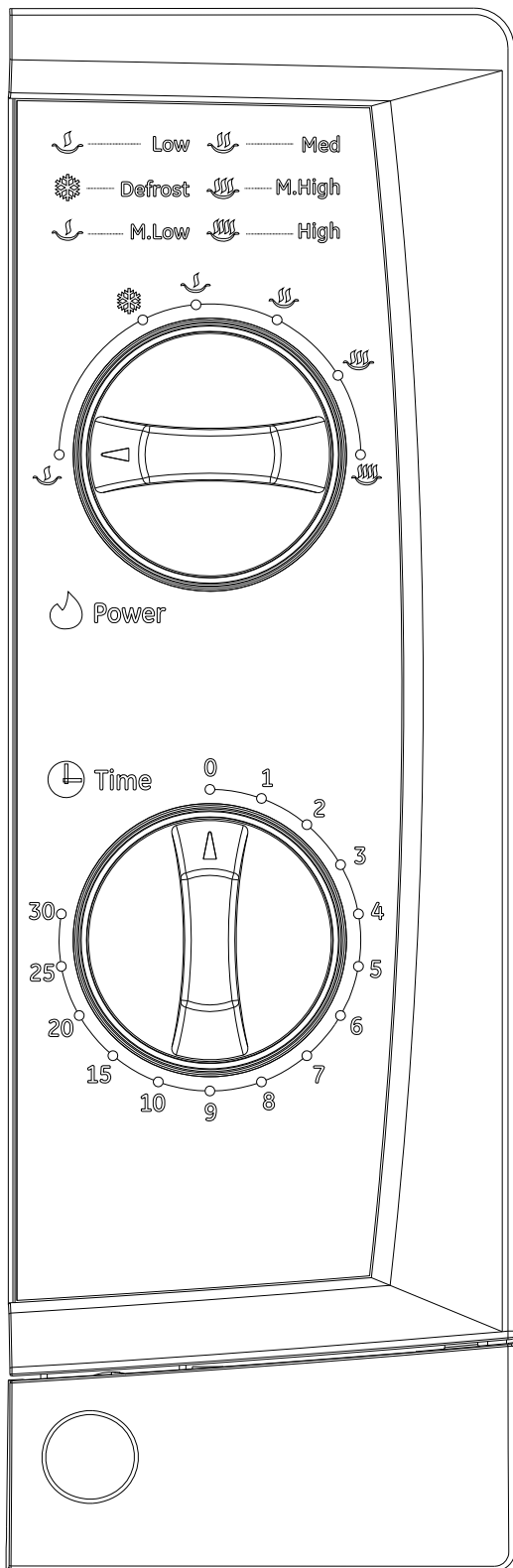
16. Utensils should be checked to ensure that they are suitable for use in microwave oven.
17. **WARNING:** It is hazardous for anyone other than a trained person to carry out any service or repair operation which involves the removal of any cover which gives protection against exposure to microwave energy.
18. This appliance is not intended for use by persons (including children) with reduced physical, sensory or mental capabilities, or lack of experience and knowledge, unless they have been given supervision or instruction concerning use of the appliance by a person responsible for their safety.
19. Children should be supervised to ensure that they do not play with the appliance.
20. Never use the appliance at the place where it can be reached by children.
21. The microwave oven is only used in freestanding.
22. **WARNING:** Do not install oven over a range cooktop or other heat-producing appliance. If installed could be damaged and the warranty would be avoided.
23. The microwave oven shall not be placed in a cabinet.
24. The door or the outer surface may get hot when the appliance is operating.
25. The temperature of accessible surfaces may be high when the appliance is operating.
26. The appliance shall be placed against a wall.
27. **WARNING:** If the door or door seals are damaged, the oven must not be operated until it has been repaired by a service person.
28. The instructions shall state that appliances are not intended to be operated by means of an external timer or separate remote-control system.
29. This appliance is intended to be used in household and similar applications.
30. Never remove the distance holder in the back or on the sides, as it ensures a minimum distance from the wall for air circulation.
31. Please secure the glass tray before you move the appliance to avoid damages.
32. This applies to changing the power cord or the lighting as well. Send the appliance in these cases to our after sales service centre
33. The microwave oven is intended for defrosting, cooking and steaming of food only.
34. Use gloves if you remove any heated food.
35. Caution! Steam will escape, when opening lids or wrapping foil.
36. Do not place the oven in a humid, oily, dusty, and exposed direct to sunlight or water (rain drops) location.
37. Do not place the oven near objects which will be affected by magnet such as radios, televisions, automatic- banking cards and cassette tapes.
38. Do not put your face or any parts of your body to the cover of the oven while cooking or right after cooking.
39. Save these instructions for future reference.

PARTS NAME



1. Door Latches
2. Oven Window
3. Tray Roller
4. Power Control Knob
Timer Knob
5. Wave Outlet
6. Glass Tray
7. Door Release Button
8. Safety Interlock Holes

CONTROL PANEL



Power Control Knob

1. Select your desired cooking power level.
2. Power level will be increased when the knob is turned clockwise.
3. There are 6 power levels with different power output as follows:-

Power Output	Descriptions
17%	Low
40%	Defrost
48%	Medium low
66%	Medium
85%	Medium high
100%	High

Timer Knob

1. Select your desired cooking time by turning the knob clockwise (1 to 30 minutes).

INSTALLATION OF THE MICROWAVE OVEN

1. Unpack the oven and place it on a flat and stable surface. Make sure that all the packing materials are removed from the inside of the door. Check the oven and accessories whether all in good condition. Warning: Check the oven for any damage, such as misaligned or bent door, damaged door seals and sealing surface, broken or loose door hinges and latches and dents inside the cavity or on the door. If there is any damage, do not operate the oven and contact qualified service personnel.
2. Do not place the oven where heat, moisture, or high humidity are generated, or near combustible materials.
3. For correct operation, the oven must have sufficient airflow. Allow 20cm of space above the oven, 10cm at back and 5cm at both sides. Do not cover or block any openings on the appliance. Do not remove feet.
4. Ensure all the control knobs are switched to "off" sign position.
Note: Do not operate the oven without the glass tray, roller support, and shaft in their proper position.
5. Make sure that the power supply cord is undamaged and does not run under the oven or over any hot or sharp surface.
6. Do not use the oven outdoors.

GROUNDING INSTRUCTIONS

This appliance must be grounded. This oven is equipped with a cord having a grounding wire with a grounding plug. It must be plugged into a wall receptacle that is properly installed and grounded. In the event of an electrical short circuit, grounding reduces risk of electric shock by providing an escape wire for the electric current. It is recommended that a separate circuit serving only the oven be provided. Using a high voltage is dangerous and may result in a fire or other accident causing oven damage.

WARNING - Improper use of the grounding plug can result in a risk of electric shock.

Note:

1. If you have any questions about the grounding or electrical instructions, consult a qualified electrician or service person.
2. Neither ELBA nor the dealer can accept any liability for damage to the oven or personal injury resulting from failure to observe the electrical connection procedures.

The wires in this cable main are colored in accordance with the following code:

Green and Yellow = EARTH

Blue = NEUTRAL

Brown = LIVE

OPERATING THE MICROWAVE OVEN

1. Make sure that you have correctly installed the oven as described earlier.
2. Insert the plug to the power socket and power on the oven.
Note: Do not operate the oven without the glass tray, tray roller, and shaft in their proper position.
3. Slightly cover the foods while cooking. Covers prevent spattering and help foods to cook evenly.
4. Insert food into the oven and close the door.
5. Turn the power control knob clockwise to your desired power level.
6. Turn the timer knob clockwise to set the cooking time. Watch cooking time. Cook for the shortest amount of time indicated and add more as needed. Food severely overcooked can smoke or ignite.
Note: The oven will only start to operate if the timer knob is set.
Caution: Always turn the timer knob back to "O" position after cooking or when not in use.
7. After operating the oven, power off the oven and unplug the plug from wall outlet.

UTENSIL GUIDE

1. Warning: Never use metal or metal trimmed utensils. Microwaves cannot penetrate metal. They will bounce off any metal objects and cause arcing as well as spark in the oven.
2. The ideal material of a microwave utensil is transparent to microwave, it allows energy to pass through the container and heat the food.
3. Do not use recycled paper products when microwave cooking, as they may contain small metal fragments which may cause sparks and/ or fires.
4. Round oval dishes rather than square/ oblong ones are recommended, as food in comes tends to overcook.
5. Glassware that is heat-resistant is microwave-safe. This includes all kinds of oven-tempered glass

cookwares. However, do not use delicate glassware such as tumblers or wine glasses, as there may shatter when the food gets heated.

6. Narrow strips of aluminium foil may be used to prevent overcooking of exposed areas. But be careful don't use too much and keep a distance of 1 inch (2.54cm) between foil and cavity.

Cookware	Compatible
Heat-resistant glass	Yes
Heat-resistant ceramic	Yes
Microwave-safe plastic dish	Yes
Kitchen paper	Yes
Non heat-resistance glass	No
Metal tray	No
Metal rack	No
Aluminum foil and foil container	No

RADIO INTERFERENCE

Operating the microwave oven can cause interference of your radio, television, or similar equipment. When there is interference, it can be reduced or eliminated by taking the following measurements:

1. Clean the door and sealing surface of the oven.
2. Re-orient the receiving antenna of radio or television.
3. Relocate the oven away from the interference.
4. Plug the microwave oven into a different outlet so that microwave oven and receiver are on different branch circuits.

TROUBLESHOOTING

If the oven fails to operate, it can be caused by the following:-

- Please check if the plug has removed from the power socket.
- Whether the power switch or fuse in your home is cut off.
- Whether the power is cut off.
- Check the power control and timer knob whether it is turned properly.
- The door of the oven is not closed properly.

CLEANING AND MAINTENANCE

1. Turn off the oven and remove the power plug from the wall socket before cleaning.
2. Keep the inside of the oven clean. When food splatters or spitted liquids adhere to oven walls, wipe with a damp cloth. Mild detergent may be used if the oven gets very dirty. Avoid the use of spray and other harsh cleaners as they may stain, streak or dull the door surface.
3. The outside surfaces should be cleaned with a damp cloth. To prevent damage to the operating parts inside the oven, water should not be allowed to seep into the ventilation openings.
4. Wipe the door windows on both sides, the door seals and adjacent parts frequently with a damp cloth to remove any spills or spatters. Do not use abrasive cleaner.
5. Do not allow the control panel to become wet. Clean with a soft, damp cloth. When cleaning the control panel, leave oven door open to prevent oven from accidentally turning on.
6. If steam accumulates inside or around the outside of the oven door, wipe with a soft cloth. This may occur when the microwave oven is operated under high humidity condition.

7. It is occasionally necessary to remove the glass tray for cleaning. Wash the tray in warm sudsy water or in a dishwasher.
8. The tray roller and oven floor should be cleaned regularly to avoid excessive noise. Simply wipe the bottom surface of the oven with mild detergent. The tray roller may be washed in mild sudsy water or dishwasher. When removing the tray roller from cavity floor for cleaning, be sure to replace in the proper position.
9. Remove odors from your oven by combining a cup of water with the juice and skin of one lemon in a deep microwaveable bowl, microwave for 5 minutes. Wipe thoroughly and dry with a soft cloth.
10. When it becomes necessary to replace the oven light, please consult our authorized dealer or service agent to have it replaced.
11. The oven should be cleaned regularly and any food deposits removed. Failure to maintain the oven in a clean condition could lead to deterioration of the surface that could adversely affect the life of the appliance and possibly result in a hazardous.
12. Please do not dispose this appliance into the domestic rubbish bin; it should be disposed to the particular disposal center provided by the municipalities.

TECHNICAL SPECIFICATIONS

Power Consumption	230-240V~50Hz, 1200W
Rated Microwave Power Outlet:	700W
Operation Frequency	2450MHz
Product Dimension	262mm(H) × 452mm(W) × 320mm(D)
Oven Cavity Dimensions	198mm(H) × 315mm(W) × 297mm(D)
Oven Capacity	Compact 20L
Cooking Uniformity	Turntable System
Net Weight	Approx. 10.5kg