

ELBA

**BUILT-IN MICROWAVE OVEN
MODEL: EMO-B2361BI(SS)**

Owner's Manual

Please read this manual carefully
before operating your set.

Retain it for future reference.

Record model number and serial
number of the set.

See the label attached on the set and
quote this information to your dealer
when you require service.

For The Warranty Terms & Conditions, Please Refer To Warranty Certificate.

PRECAUTIONS TO AVOID POSSIBLE EXPOSURE TO EXCESSIVE MICROWAVE ENERGY

Failure to observe the following precautions can result in harmful microwave energy:

1. Do not attempt to tamper with, or make any adjustment or repairs to the door, control panel, safety interlocks or any other parts of the oven on your own, it must be repaired or replaced by the authorized service agent or after-sales service centre or a similarly qualified person in order to avoid hazards.
WARNING: It is hazardous for anyone other than a trained person to carry out any service or repair operation which involves the removal of any cover which gives protection against exposure to microwave energy.
2. Do not place any object between the oven front face and the door or allow soil or cleaner residue to accumulate on sealing surfaces.
3. Do not operate the oven if it is damaged. It is particularly important that the door of the oven is closed properly and there are no damages to the:
 - a) Door (bent),
 - b) Door hinges and latches (broken or loosened),
 - c) Door seals and sealing surfaces.

IMPORTANT SAFEGUARDS

When using this appliance, basic safety precautions should be followed, including the following:

WARNING: To reduce the risk of burns, electric shock, fire, injury to persons or exposure to excessive microwave energy:

1. Read all instructions before using.
2. Do not contact the plug with wet hands.
3. Do not use the appliance when the power cord is damaged or the plug is not properly inserted.
4. Never bend or bind the power cord or apply by excessive force, otherwise it may cause damage. If the power cord is damaged, it must be replaced by the authorized service agent or after-sales service centre or a similarly qualified person in order to avoid hazards.
5. Do not operate the oven when empty.
6. Do not use corrosive chemicals or vapors in this appliance. This type of oven is specifically designed to heat, cook or dry food. It is not designed for industrial or laboratory use.
7. **WARNING:** When the appliance is operated in the combination mode, children should only use the oven under adult supervision due to the temperatures generated.
8. To reduce the risk of fire in the oven cavity:
 - a. When heating food in plastic or paper container, keep an eye on the oven due to the possibility of ignition.
 - b. Remove wire twist-ties from paper or plastic bags before placing bag into the oven.
 - c. If smoke is observed, switch off or unplug the appliance and keep the door closed in order to stifle any flames.
 - d. Do not use the cavity for storage purposes. Do not leave paper products, cooking utensils or food in the cavity when not in use.
9. **WARNING:** Liquid or any other foods must not be heated in sealed containers as they are liable to

explode.

10. Microwave heating of beverage can result in delayed eruptive boiling, therefore care has to be taken when handling the container.
11. Do not fry any food in the oven ! Hot oil can damage the oven parts and utensils and even result in skin burns.
12. Eggs in their shell and whole hard-boiled eggs should not be heated in microwave ovens since they may explode even after microwave heating has ended.
13. Pierce foods with heavy skins such as potatoes, whole squashes, apples and chestnuts before cooking.
14. The contents of feeding bottles and baby jars should be stirred or shaken and the temperature should be checked before serving in order to avoid burns.
15. Cooking utensils may become hot because of heat transferred from the heated food. Potholders may be needed to handle the utensil.
16. Utensils should be checked to ensure that they are suitable for use in microwave oven.
17. **WARNING:** It is hazardous for anyone other than a trained person to carry out any service or repair operation which involves the removal of any cover which gives protection against exposure to microwave energy.
18. This appliance is not intended for used by persons (including children) with reduced physical, sensory or mental capabilities, or lack of experience and knowledge, unless they have been given supervision or instruction concerning use of the appliances by a person responsible for their safety.
19. This appliance is for domestic and household use only.
20. Save these instructions for future reference.

INSTALLATION

1. Place the oven on a flat and stable surface. Make sure all the packaging materials are removed from the inside of the door. Check the oven whether accessories all in good conditions.
Warning: Check the oven for any damage, such as misaligned or bent door, damaged door seals and sealing surface, broken or loose door hinges and latches inside the cavity or on the door. If there is any damage, do not operate the oven and contact qualified service personnel.
2. Do not place the oven where heat, moisture, or high humidity are generated, or near combustible materials.
3. For correct operation, the oven must have sufficient airflow. Allow 20cm of space above the oven, 10cm at the back and 5cm at both sides. Do not cover or block any openings on the appliance. Do not remove feet.
4. Do not operate the oven without glass tray, roller ring, and shaft in their proper positions.
5. Make sure that the power supply cord is undamaged and does not run under the oven or over any hot or sharp surface.
6. The socket must be readily accessible so that it can be easily unplugged in an emergency.
7. Do not use the oven outdoors.

RADIO INTERFERENCE

Operation of the microwave oven can cause interference to your radio, television, or similar equipment. When there is interference, it may be reduced or eliminated by taking the following measures:

1. Clean door and sealing surface of the oven.
2. Re-orient the receiving antenna of radio or television.

3. Relocate the microwave oven with respect to the receiver.
4. Move the microwave oven away from the receiver.
5. Plug the microwave oven into a different outlet so that microwave oven and receiver are on different branch circuits.

GROUNDING INSTRUCTIONS

This appliance must be grounded. This oven is equipped with a cord having a grounding wire with a grounding plug. It must be plugged into a wall receptacle that is properly installed and grounded. In the event of an electrical short circuit, grounding reduces risk of electric shock by providing an escape wire for the electric current. It is recommended that a separate circuit serving only the oven be provided. Using a high voltage is dangerous and may result in a fire or other accident causing oven damage.

WARNING : Improper use of the grounding plug can result in a risk of electric shock.

Note:

1. If you have any questions about the grounding or electrical instructions, consult a qualified electrician or service person.
2. Neither the manufacturer nor the dealer can accept any liability for damage to the oven or personal injury resulting from failure to observe the electrical connection procedures.

The wires in this cable main are coloured in accordance with the following code:

Green and Yellow =EARTH

Blue= NEUTRAL

Brown=LIVE

MICROWAVE COOKING PRINCIPLES

1. Arrange food carefully. Place thickest areas towards outside of the dish.
2. Watch cooking time. Cook for the shortest amount of time indicated and add more as needed. Food severely overcooked can smoke or ignite.
3. Cover foods while cooking. Covers prevent spattering and help foods to cook evenly.
4. Turn foods over once during microwaving to speed cooking of such foods as chicken and hamburgers. Large items like roasts must be turned over at least once.
5. Rearrange foods such as meatballs halfway through cooking both from top to bottom and from the center of the dish to the outside.

UTENSILS GUIDE

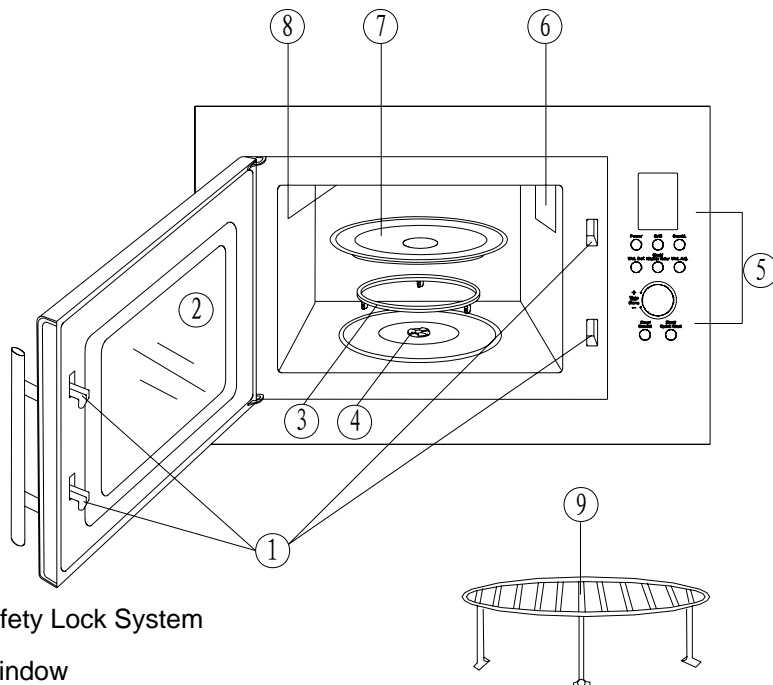
1. The ideal material for a microwave utensil is transparent to microwave, it allows energy to pass through the container and heat the food.
2. Microwave cannot penetrate metal, so metal utensils or dishes with metallic trim should not be used.

3. Do not use recycled paper products when microwave cooking, as they may contain small metal fragments which may cause sparks and/or fires.
4. Round /oval dishes rather than square/oblong ones are recommend, as food in corners tends to overcook.
5. Narrow strips of aluminum foil may be used to prevent overcooking of exposed areas. But be careful don't use too much and keep a distance of 1 inch (2.54cm) between foil and cavity

The list below is a general guide to help you select the correct utensils.

Cookware	Microwave	Grill	Combination
Heat-Resistant Glass	Yes	Yes	Yes
Non Heat-Resistant Glass	No	No	No
Heat-Resistant Ceramics	Yes	Yes	Yes
Microwave-Safe Plastic Dish	Yes	No	No
Kitchen Paper	Yes	No	No
Metal Tray	No	Yes	No
Metal Rack	No	Yes	No
Aluminum Foil & Foil Container	No	Yes	No

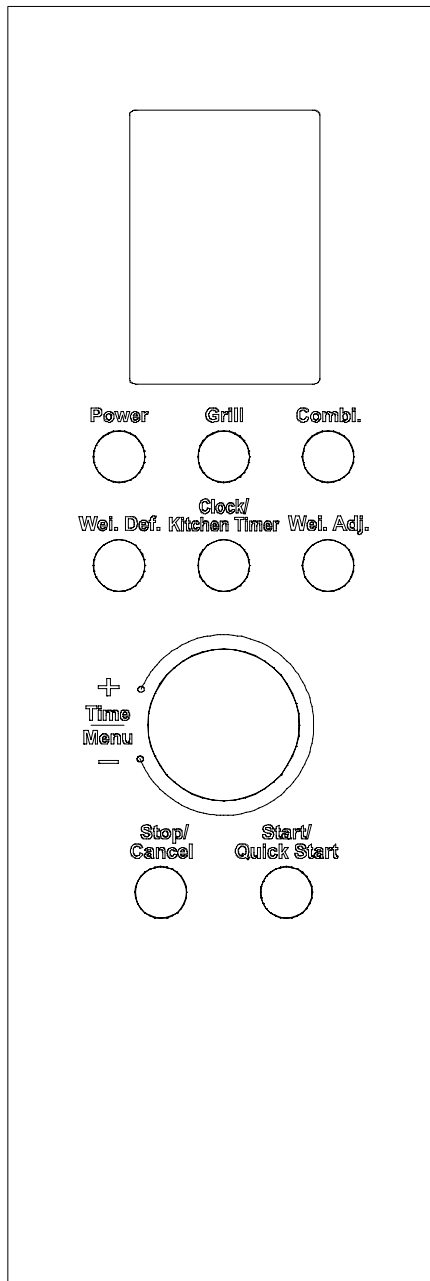
PRODUCT DESCRIPTIONS



1. Door Safety Lock System
2. Oven Window
3. Roller Ring
4. Shaft

5. Control Panel
6. Wave Guide (Please do not remove the mica plate covering the wave guide)
7. Glass Tray
8. Grill Heater
9. Metal Rack

CONTROL PANEL



Display Screen

Cooking time, power, indicators and present time are displayed.

Power

Press to select microwave power.

Grill

Press to set the grill cooking program.

Combi.

Press to select one of two combination cooking settings.

Wei. Def.

Press to select defrost program by the weight.

Clock/Kitchen Timer

Press to set the time or to set the kitchen timer.

Wei. Adj.

Press to set the weight of defrost and auto cooking program.

Time/Menu

Rotate to set cooking time or select the auto-menu.

Stop/Cancel

Touch to stop cooking program or clear all previous settings before cooking starts.

Start/Quick Start

Press to start cooking program or set quick start cooking program.

OPERATING THE MICROWAVE OVEN

TO SET THE TIMER

This is a 12 and 24 hours timer. You can take the steps below to set the timer.

1. Press the clock/kitchen timer button for 3 seconds. "Hr 12" will shows on the screen, press the button once if you want to set 24 hours clock.
2. Adjust the time/menu knob until the correct hour is displayed.
3. Press the clock/kitchen timer button again.
4. Adjust the time/menu knob until the correct minute is displayed.
5. Press the clock/kitchen timer button to confirm.

MICROWAVE COOKING

Microwave cooking allows you to customize the cooking power and time. First, select a power level by pressing the power button (see the table below). Maximum cooking time is 95 minutes.

Suppose you want to cook for 5 minutes at 60% Power Level.

1. Open the door and place the food into the oven, close it.
2. Press power button till the screen show the intended power.

Press Power button	Power
Once	100%(P100)
Twice	80%(P-80)
3 times	60%(P-60)
4 times	40%(P-40)
5 times	20%(P-20)
6 times	0%(P-00)

3. Adjust the time/menu knob to select the cooking time until the correct cooking time 5:00 (5minutes) is displayed.
4. Press the start/quick start button to start cooking.

NOTE:

You can check the power while cooking is in progress by pressing the power button. After the cooking time ends, the system will beep once and 'End' is displayed. Before starting another cooking session, press any pad or open the door to clear the display and reset the system.

GRILL

Grill cooking is particularly useful for thin slices of meat, steaks, chops, kebabs, sausages and pieces of chicken. It is also suitable for hot sandwiches and au gratin dishes. Maximum cooking time can be set is 95 minutes.

Suppose you want to program grill cooking for 12 minutes.

1. Open the door and place the food into the oven, close it.
2. Press grill button once.
3. Adjust the time/menu knob to 12:00 (12minutes).
4. Press the start/quick start button to start cooking.

MICRO+GRILL

The maximum cooking time that can be set is 95 minutes.

Suppose you want to set combination cooking for 25 minutes.

1. Open the door and place the food into the oven, close it.
2. Press the combi. button once or twice.

Press combi. button	Combination	Cooking time		Use
		Microwave	Grill	
once	Co-1	30%	70%	fish, potatoes or au gratin
twice	Co-2	55%	45%	pudding, omelets, baked potatoes and poultry

3. Adjust the time/menu knob to 25:00 (25minutes).
4. Press the start/quick start button to start cooking.

QUICK START

Use this feature to program the oven to start at 100% power conveniently. The max time can be set is 10minutes. During cooking, you can also press this button to add the cooking time.

1. Open the door and place the food into the oven, close it.
2. Press start/quick start button in quick succession to set the cooking time. The oven will auto-start immediately.

KITCHEN TIMER

You could set the oven timer to remind you the cooking time. The longest time you can set is 95 minutes. Suppose you want to set the kitchen timer for 30 minutes :

1. Press the clock/kitchen timer button once.
2. Adjust the menu/time knob to set 30:00 (30minutes).
3. Press the start/quick start button to confirm.

NOTE : When the timer is counting, you can press the clock/kitchen timer button to see the timer and press stop/cancel within 5 seconds to cancel it.

MENU COOK

For food or the following cooking mode, it is not necessary to program the time and the cooking power. It is sufficient to indicate the type of food that you want to cook as well as the weight of the food.

1. Open the door and place the food into the oven, close it.
2. Adjust the time/menu knob in the position of anti-clockwise direction once and turn it again to select food code.
3. Press the wei. adj. to select the weight, check the screen for number of servings or preset weights, which should match weight of food you have placed in the oven.
4. Press the start/quick start button to start cooking.

Food Code	Menu	Cooking mode
A-1	POPCORN (99g)	MICRO.
A-2	COFFEE (200ml/cup)	MICRO.
A-3	FRESH VEGETABLE (g)	MICRO.
A-4	POTATO (230g/unit)	MICRO.
A-5	PIZZA (g)	MICRO.
A-6	REHEAT (g)	MICRO.
A-7	GRILLED CHICKEN (*g)	COMBINATION
A-8	GRILLED STEAK (g)	COMBINATION

* It is advisable that the weight of the chicken that want to be grill is more than 800g. If the weight of the chicken is less that 800g, watch the cooking process to avoid the chicken to be over cooked.

NOTE :

1. The user is required to select the weight and then the oven will set the cooking time automatically.
2. For GRILLED CHICKEN and GRILLED STEAK, beeps can be heard and the oven pause during cooking to remind user to turn the food (for evenly cooked), then press start/quick start button to resume.

WEIGHT DEFROST

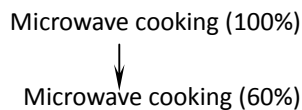
Weight defrost enables you to defrost food according to the weight of food you insert. The weight range is from 100g to 1800g. Suppose you want to set the oven to weight defrost for 200g of food.

1. Open the door and place the food into the oven, close it.
2. Press the wei. def. button once.
3. Press the wei. adj. button to select the weight.
4. Press start/quick start button to start cooking.

NOTE: During the defrosting process, the oven will pause and sound beeps to remind you to turn food over, (for evenly cooked) after that, press the start/quick start button to resume defrosting process.

MULTI-STAGE COOKING

This microwave oven allows you to program up to 3 automatic cooking sequences. Suppose you want to set the following cooking program.



1. Open the door and place the food into the oven, close it.
2. Press the power button to set power at 100%.
3. Adjust the time/menu knob to program the cooking time.
4. Press the power button to set power at 60%.
5. Adjust the time/menu knob to program the cooking time.
6. Press the start/quick start button to start cooking.

NOTE : Weight defrost, menu cook and quick start cannot be set in this multi-stage cooking program.

CHILD PROOF LOCK

The childproof lock prevents unsupervised operation by children. To set the child proof lock, press the stop/cancel button for 3 seconds, then a beep sound will heard and the indicator light will turn on. In the lock state, all buttons are disabled.

To cancel the child proof lock, press the stop/cancel button for 3 seconds, then a beep will heard and the indicator light will turn off.

TO STOP THE OVEN WHILE THE OVEN IS OPERATING

1. Press the stop/cancel button. You can restart the oven by pressing the start/quick start button.
Press the stop/cancel to erase all instructions.
2. Open the door of the oven. You can restart the oven by closing the door and press the start/quick start button.

NOTE: The oven stops operating when the door is opened.

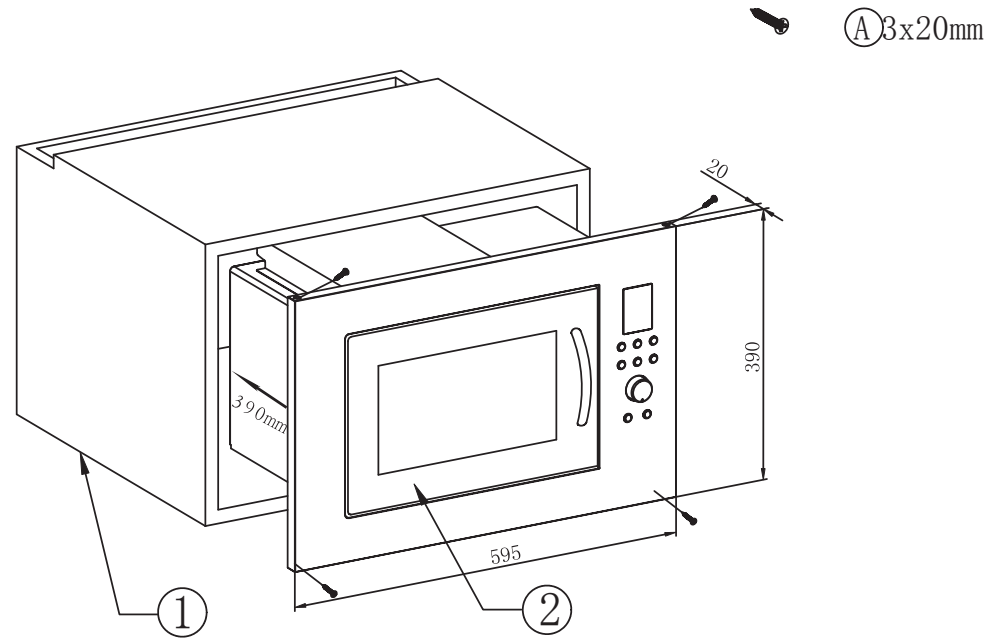
CLEANING AND CARE

1. Turn off the oven and remove the power plug from the wall socket before cleaning.
2. Keep the inside of the oven clean. When food splatters or spilled liquids adhere to oven walls, wipe with a damp cloth. Mild detergent may be used if the oven gets very dirty. Avoid the use of spray and other harsh cleaners as they may stain, streak or dull the door surface.
3. The outside surfaces should be cleaned with a damp cloth. To prevent damage to the operating parts inside the oven, water should not be allowed to seep into the ventilation openings.
4. Wipe the door and window on both sides, the door seals and adjacent parts frequently with a damp cloth to remove any spills or splatters. Do not use abrasive cleaner.
5. Do not allow the control panel to become wet. Clean with a soft, damp cloth. When cleaning the control panel, leave oven door open to prevent oven from accidentally turning on.
6. If steam accumulates inside or around the outside of the oven door, wipe with a soft cloth. This may occur when the microwave oven is operated under high humidity condition. And it is normal.
7. It is occasionally necessary to remove the glass tray for cleaning. Wash the tray in warm sudsy water or in a dishwasher.
8. The roller ring and oven floor should be cleaned regularly to avoid excessive noise. Simply wipe the bottom surface of the oven with mild detergent. The roller ring may be washed in mild sudsy water or dishwasher. When removing the roller ring from cavity floor for cleaning, be sure to replace in the proper position.
9. Remove odors from your oven by combining a cup of water with the juice and skin of one lemon in a deep microwaveable bowl, microwave for 5 minutes. Wipe thoroughly and dry with a soft cloth.
10. When it becomes necessary to replace the oven light, please consult the authorized service agent or after-sales service centre or a similarly qualified person to have it replaced.
11. The oven should be cleaned regularly and any food deposits removed. Failure to maintain the oven in a clean condition could lead to deterioration of the surface that could adversely affect the life of the appliance and possibly result in a hazardous situation.
12. Please do not dispose this appliance into the domestic rubbish bin, it should be disposed to the particular disposal center provided by the municipalities.
13. When the microwave oven with grill function is first used, it may produce slight smoke and smell. This is a normal phenomenon, because the oven is made of a steel plate coated with lubricating oil, and the new oven will produce fumes and odor generated by burning the lubricating oil. This phenomenon will disappear after a period of using.

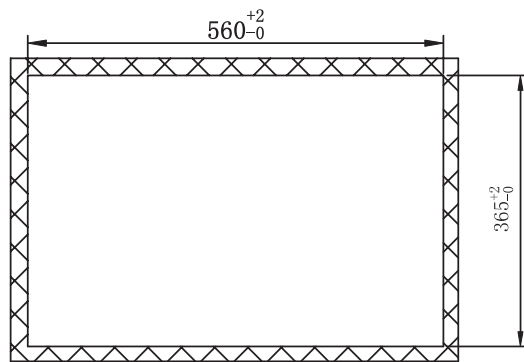
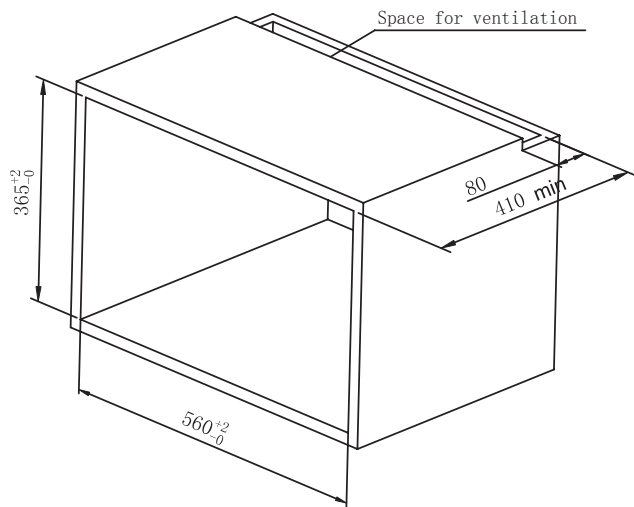
SPECIFICATIONS

Power Supply	230-240V~50Hz
Power Consumption (Microwave)	1400W
Power Consumption (Grill)	1000W
Rated Microwave Power Output	900W
Operation Frequency	2450MHz
Oven Cavity Dimensions	340mm(W)x220mm(H)x320mm(D)
Dimensions	595mm(W)x390mm(H)x390mm(D)
Built-in Dimensions	560mm(W)x365mm(H)x410mm(D)
Oven Capacity	23 Litres
Cooking Uniformity	Turntable System
Net Weight	Approx. 14.5kg

EMO-B2361BI(SS)

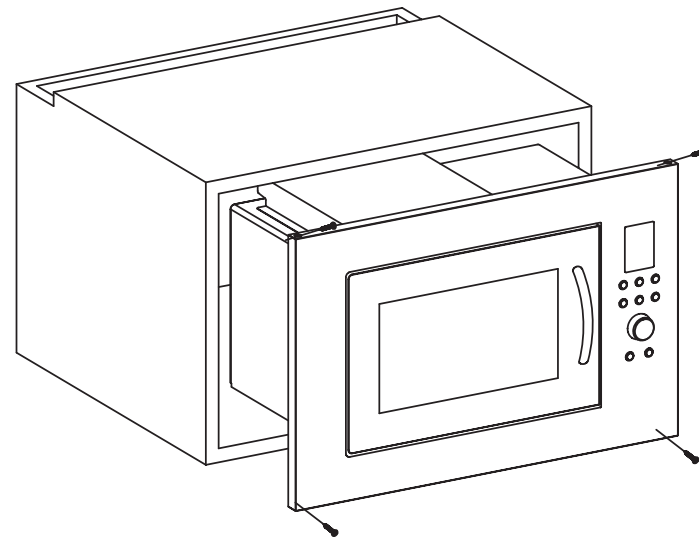


Sequence	Name	Quantity
1	Cabinet	1
2	Microwave Oven	1
Ⓐ	Screw3x20	4



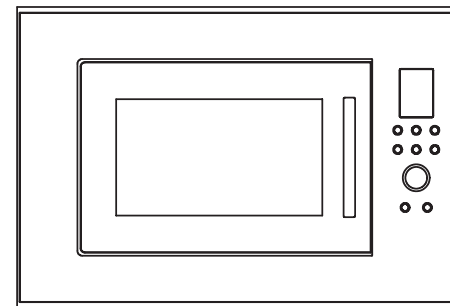
Make a cabinet to the dimension

1



Fasten the oven into the cabinet with 4 screws

2



Installation complete

3

ELBA