

# ELBA

## MULTI COOKER

### MODEL: EMC-N9015(BL)

#### Owner's Manual

Please read this manual carefully before operating your set.

Retain it for future reference.

Record model number and serial number of the set.

See the label attached on the set and quote this information to your dealer when you require service.

**For The Warranty Terms & Conditions, Please Refer To Warranty Certificate.**

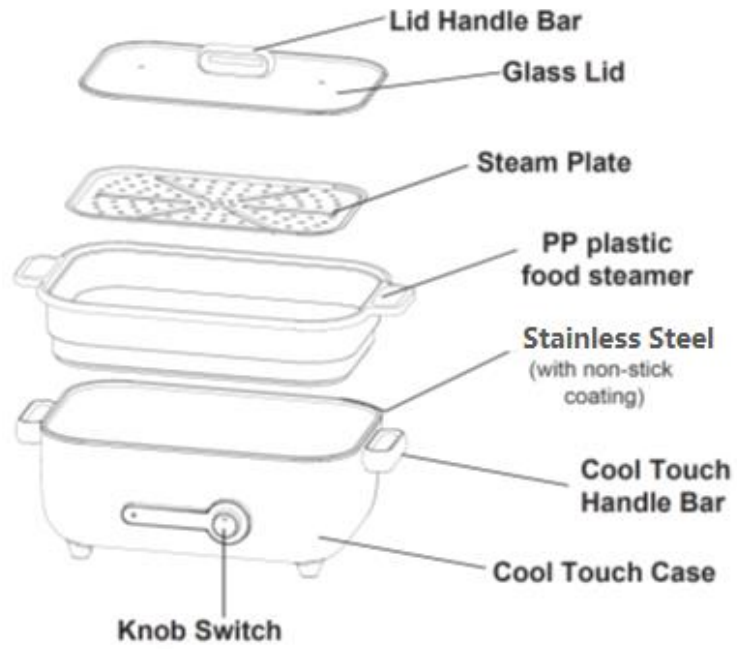
## IMPORTANT SAFEGUARDS

When using this appliance, basic safety precautions should always be followed, including the following.

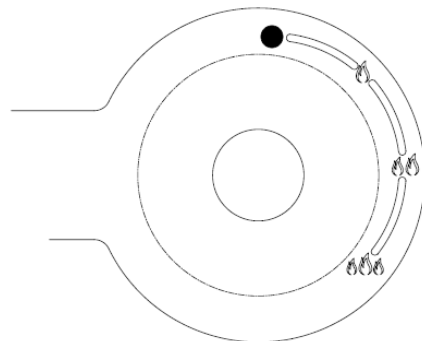
1. Read all instructions.
2. Be sure to use earthling switch socket, and the socket must be inserted tightly. Never use a universal socket shared with others electrical appliances.
3. Before connecting the power, please check whether the voltage marked on the label on the bottom of the cooker matches with the voltage of the supply power to avoid damage to components fire.
4. In case any defects are found to avoid any dangers, please do not disassemble the units by own. Please send the appliance to the nearest authorized dealer or after sales service center for examination and repair.
5. Do not use the product on the surface of objects that are not heat resistant, such as carpets or plastics. Objects that are easily damaged by steam should not place on top of the product.
6. Do not insert or put any metal objects, such as needles, wires etc into any gaps or opening in the cooker. It may cause an electric shock or others dangers.
7. To protect against fire, electric shock and injury to persons, do not immerse cord, plugs, or heating base in water or other liquid.
8. Water filled should not exceed the maximum water scale. Otherwise, spilling may occur when boiling, which will cause a malfunction or damage to the cooker. Moreover, the pot should be covered with the glass lid when boiling water.
9. Ensure the cooker lid is closed tightly before cooking to avoid scald injuries.
10. Do not place any object nearby or cover or touch the hot steam vent of the glass lid while cooking.
11. Unplug from outlet when not in use and before cleaning. Allow to cool down before putting on or taking off parts, and before cleaning the appliance.
12. When remove the plug, you need to hold the plug to pull it out. Do not pull or twist the power cord with force. To prevent the power cord from being damaged and the risk of electric leakage.
13. Do not operate any appliance with a damaged cord or plug or after the appliance malfunctions, or has been damaged in any manner. Return appliance to the nearest authorized dealer or after sales service center for examination and repair.
14. The use of accessory attachment not recommended by the manufacturer may result in fire, electric shock or injury to persons.
15. Do not use the appliances outdoors.
16. Do not let cord hang over edge of table or counter, or touch hot surface.
17. Do not place on or near a hot gas or electric burner, or in a heated oven.
18. Do not heat empty pot otherwise it will cause yellowing, failure, fire or property damage. Please ensure that there is enough water in the pot before use.
19. While occurring dry burning, please add water into the pot or unplug the power, and at the same time, do not touch the heating plate by hand in case burning yourself.
20. When the appliances is working, do not touch the glass lid or the ejective steam to avoid scalding.
21. The machine owns the function of overheating protection. If need to continuously cook, it has to be properly cooled down before next cooking. With the thermostat reset , the power can get on again.
22. Never heat food stored in sealed container to avoid explosion caused by heat expansion.
23. Do not install an external timer or remote control to the cooker, which may cause short circuit or fire danger.

24. To avoid electric shock. Do not use wet hand to plug in or plug out the power cord or use wet cloth to clean the power outlet.
25. Do not use appliance for other than intended use.
26. This appliance is not intended for use by person (including children) with reduced physical, sensory, or mental capabilities, or lack of experience and knowledge, unless they have been given supervision or instruction concerning the use of the appliance by a person responsible for their safety.

# PRODUCT DESCRIPTIONS



## Control Panel



(Figure 1)

Icon	Function
●	Appliance is not connected; indicator light does not light up and stop heating.
🔥	Product is constantly heating in low heat.
🔥🔥	Product is constantly heating in medium heat.
🔥🔥🔥	Product is constantly heating in high heat.

## PREPARATION FOR FIRST USE

1. Remove all packaging materials. Check to make sure the appliance is not damaged. In case of any damage return the appliance to the nearest authorized dealer or after sales service center for examination and repair.
2. Make sure all the packaging material have been removed and ensure the cooker and power cord are in good condition.
3. Before first use, clean the inner pot, glass lid and accessories thoroughly by wiping with damp sponge and mild cleaning detergent. Do not immerse the body unit into water.
4. Air dry the cooker completely before use.
5. Add water to the cooking pot to its maximum water level. Boil and pour if off for first time.

## OPERATION INSTRUCTION

1. Before each operation, remove any unwanted material from the surface of the pot base. Ensure the adjustable control switch in “●” position.
2. Add water and ingredient into the cooking pot. Water filled should not exceed the maximum level.
3. Make sure the body of the cooker is completely dry before operation. Otherwise, wipe it with a dry cloth. Close the lid tightly.
4. Plug the power plug into the power socket, and connect with power.
5. Turn the power knob switch in clockwise direction to switch on and adjust the heating power. 3 different power level for different cooking. The cooking indicator light will be on during heating.
6. When water is boiled, you may add your ingredient into the cooker.
7. After using, turn the power knob switch in anti-clockwise direction to “●” and then unplug the power plug from the power supply.
8. Then air dry the cooker completely dry before storing.

**Attention:** The surface of cooking pot is coated with a non-stick material which can effectively reduce cooking oil fume and easy for cleaning. Sharp or hard object may cause scratches and damages.

## CLEANING AND MAINTENANCE

1. Before cleaning, always turn off the appliance and unplug the power plug from the power supply. Allow the cooker to completely cool down.
2. The power outlet must be well covered before cleaning.
3. Do not immerse the cooker in water.
4. It is suggested to soak the cooking pot with warm water for 5 minutes first then use a dry cloth to clean the inner surface.
5. Do not use any abrasive scouring agents, steel wool, metal objects, hot cleaning agents or disinfectants, since they can damage the appliance.
6. After cleaning, it is recommended to wipe the cooker with a dry cloth or air dry it naturally.
7. Please keep the cooker well after use and store it in a dry, safe place.
8. Do not dry and sterilize the cooker in a sterilizer or dish dryer.

## ENVIRONMENT FRIENDLY DISPOSAL



Correct Disposal of this appliance:

This marking indicates that this appliance should not be disposed with other household wastes. To prevent possible harm to the environment or human health from uncontrolled waste disposal, recycle it responsibly to promote the sustainable reuse of material resources.

**ELBA**